

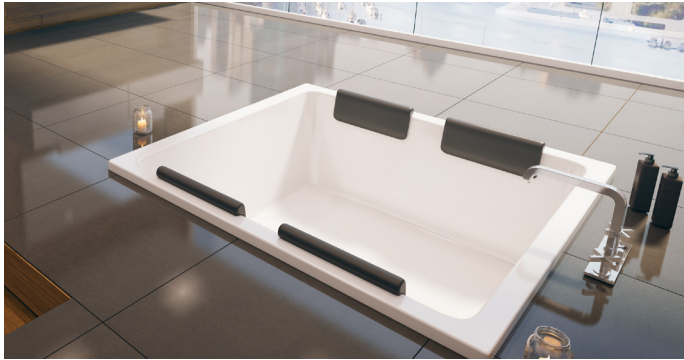
VENICE

Made in Australia

ISLAND BATH/SPA BATH - Premium Sanitary Grade Acrylic, High Gloss White

The Venice's square design is large enough to provide bathing pleasure for two. This luxury bath comes with a galvanised base support frame & overflow with a chrome pop-up waste. *Centre waste position.*

- Adjustable self-supporting feet
- Arm rests & Lumbar support
- Suitable for dual bathing
- Slip resistant pattern



VENICE BATH

SIZE (l) x (w) x (d) mm	CAPACITY*	NET WEIGHT	CODE
1400 x 1400 x 520	372L	40kg	VE1400W



- 15 YR WARRANTY*
- AS/NZ Standard 2023/1995
- Steel rod reinforced rim
- Double reinforced bath base



VENICE CONTOUR SPA BATH ●● 20 JETS

SIZE (l) x (w) x (d) mm	CAPACITY*	NET WEIGHT	CODE
1400 x 1400 x 500	372L	60kg	VE1400CNSPAWC

- 10 YR WARRANTY* - SPA SHELL
- 5 YR WARRANTY* - PUMP, JETS & FITTINGS
- AS/NZ Standard AS3861/1991
- Steel rod reinforced rim
- Double reinforced bath base
- 4 x flush C-Lenda™ centro jets
- 16 x flush C-Lenda™ mini jets
- 4 x flush C-Lenda™ air controls
- 1 x flush C-Lenda™ suction
- 1 x Sensa-Touch pad control (rim mounted)
- 750 watt 3-stage heat boost pump



VENICE DOLCE VITA SPA BATH ●●● 28 JETS

SIZE (l) x (w) x (d) mm	CAPACITY*	NET WEIGHT	CODE
1400 x 1400 x 500	372L	90kg	VE1400DVSPAWC

- 10 YR WARRANTY* - SPA SHELL
- 5 YR WARRANTY* - PUMP, JETS & FITTINGS
- AS/NZ Standard AS3861/1991
- Steel rod reinforced rim
- Double reinforced bath base
- 4 x adjustable flush C-Lenda™ centro jets
- 24 x adjustable flush C-Lenda™ mini jets
- 4 x flush C-Lenda™ air controls
- 1 x flush C-Lenda™ suction
- Spa Key remote control
- 1100 watt spa key heat boost pump

Available with Chrome, White or Black jets

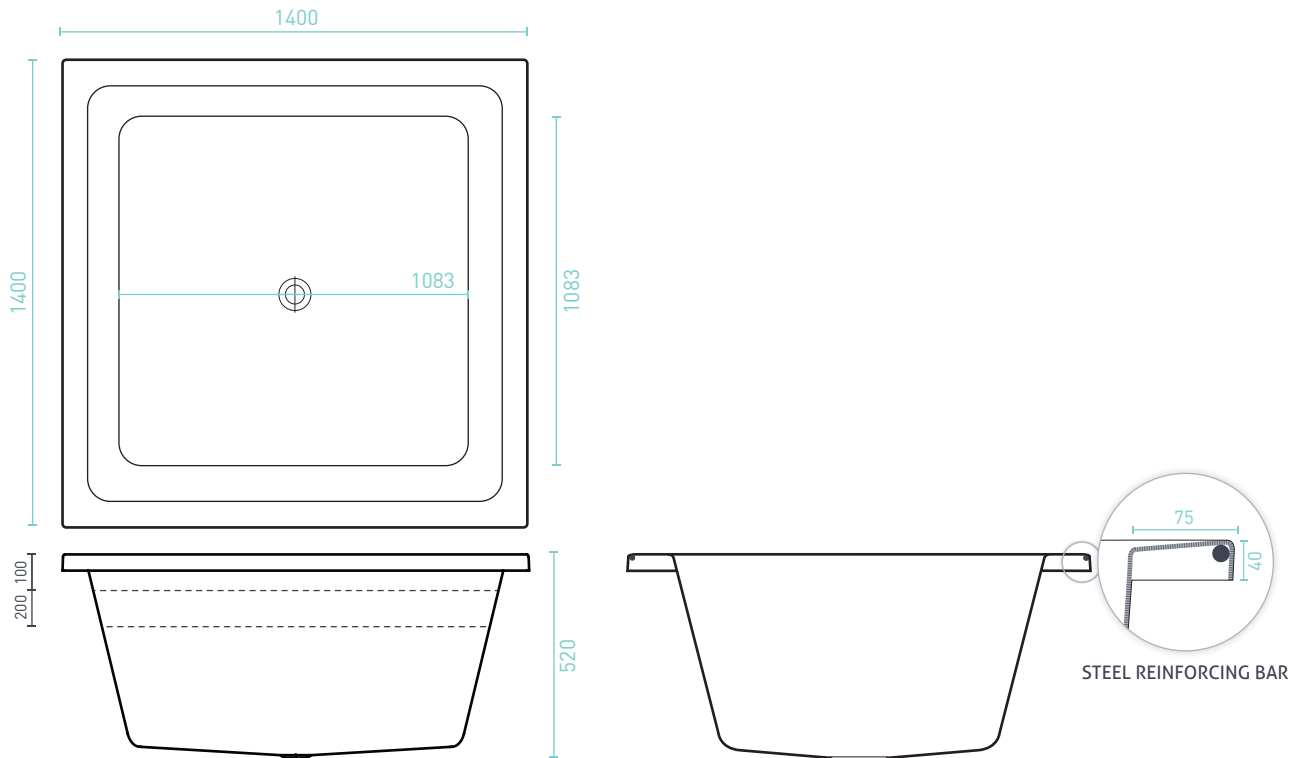


VENICE ACCESSORIES	BATH	CONTOUR SPA BATH	DOLCE VITA SPA BATH
Base Support Frame	✓	✓	✓
FIORE Headrests (Black/White)	Optional	✓ x 4	✓ x 4
Overflow	✓	✓	✓
Plug & Waste	✓	✓	✓

*Capacity 200mm below the bath rim

VENICE

ISLAND BATH/SPA BATH - Premium Sanitary Grade Acrylic, High Gloss White



SPA BATH ORDER FORM

Spa baths are made to order on receipt of the order form & are non-refundable. Please allow 15 working days for completion & dispatch. We recommend filling out your SPA BATH ORDER FORM with your qualified spa bath installer.

COMPANY & BRANCH: _____ PHONE NO: _____

CONTACT: _____ ORDER NO: _____ DATE: _____

MODEL: _____ SIZE: _____ QTY: _____ RANGE CONTOUR DOLCE VITA

CONTOUR SPA BATH OPTIONS

EZI FRAME (RRP from \$115) Supplied Factory Fitted (Additional cost) BASE SUPPORT FRAME Factory Fitted (RRP \$325)
 HEADREST COLOUR (NO additional cost) White Black OVERFLOW (RRP from \$120)

DOLCE VITA SPA BATH OPTIONS

HEADREST COLOUR (NO extra cost) White Black JET COLOUR (NO extra cost) Chrome White Black

SPA PUMP NOTES

- The spa pump does not fit directly in the baths perimeter (allow 100mm)
- Waste positions can not be changed
- We recommend spa pumps installed outside are fitted with a Spa Pump Cover (RRP \$199)
- The spa pump must be easily accessible for maintenance
- The spa pump controls will always be at the front, unless indicated below

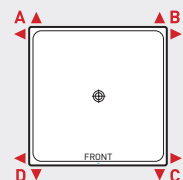
----- Please refer to the technical drawings before choosing your spa pump position, as spa bath waste & pump positions CAN NOT be customised -----

1. CIRCLE YOUR PUMP POSITION A / B / C / D ON THE DIAGRAM

300mm of pipework & 2 elbows are supplied to install the pump in the correct orientation. If extra pipework is required, how much? _____ mm (max. recommended distance between the spa bath & pump is 1.2m)

2. CROSS (X) YOUR SHOWER HEAD POSITION ON THE DIAGRAM (if applicable)

Spa pump controls can not be on the same end as the shower.



CUSTOMER NAME: _____ CUSTOMER SIGNATURE: _____

CUSTOMER EMAIL: _____ CUSTOMER PHONE NO: _____

*Whilst every effort is made to adhere to published jet & fittings positions, variation to specifications may occur without notice.