

# UNO

Made in Australia

## ISLAND BATH/SPA BATH - Premium Sanitary Grade Acrylic, High Gloss White

The Uno's combined depth & simple lines blend beautifully into any bathroom style. This bath features ergonomically shaped lumbar support to cradle the back & steep sides for maximum internal space, comfort & water efficiency. *End waste position.*

- Molded arm rests
- Lumbar support
- Suitable for dual bathing
- Slip resistant pattern



### UNO BATH

SIZE (L x (w) x (d) mm	CAPACITY*	NET WEIGHT	CODE
1530 x 750 x 480	140L	21kg	<b>UN1530W</b>
1700 x 750 x 490	168L	23kg	<b>UN1700W</b>



- 15 YR WARRANTY\*
- AS/NZ Standard 2023/1995
- Steel rod reinforced rim
- Double reinforced bath base



### UNO SANTAI SPA BATH ● 10 JETS

SIZE (L x (w) x (d) mm	CAPACITY*	NET WEIGHT	CODE
1530 x 750 x 480	140L	36kg	<b>UN1530SAN10JW</b>
1700 x 750 x 490	168L	39kg	<b>UN1700SAN10JW</b>

- 10 YR WARRANTY\* - SPA SHELL
- 5 YR WARRANTY\* - PUMP, JETS & FITTINGS
- AS/NZ Standard AS3861/1991
- Steel rod reinforced rim
- Double reinforced bath base
- 6 x low profile Mod centro jets
- 4 x low profile Mod mini jets
- 1 x low profile Mod suction
- 1 x Mod power button (rim mounted)
- 2 x Mod air controls (rim mounted)
- 750 watt auto heat boost pump



### UNO CONTOUR SPA BATH ●● 12 JETS

SIZE (L x (w) x (d) mm	CAPACITY*	NET WEIGHT	CODE
1530 x 750 x 480	140L	36kg	<b>UN1530CNSPAWC</b>
1700 x 750 x 490	168L	39kg	<b>UN1700CNSPAWC</b>

- 10 YR WARRANTY\* - SPA SHELL
- 5 YR WARRANTY\* - PUMP, JETS & FITTINGS
- AS/NZ Standard AS3861/1991
- Steel rod reinforced rim
- Double reinforced bath base
- 6 x flush C-Lenda™ centro jets
- 6 x flush C-Lenda™ mini jets
- 2 x flush C-Lenda™ air controls
- 1 x flush C-Lenda™ suction
- 1 x Sensa-Touch pad control (rim mounted)
- 750 watt 3-stage heat boost pump



### UNO DOLCE VITA SPA BATH ●●● 16 JETS

SIZE (L x (w) x (d) mm	CAPACITY*	NET WEIGHT	CODE
1700 x 750 x 490	168L	69kg	<b>UN1700DVSPAWC</b>

- 10 YR WARRANTY\* - SPA SHELL
- 5 YR WARRANTY\* - PUMP, JETS & FITTINGS
- AS/NZ Standard AS3861/1991
- Steel rod reinforced rim
- Double reinforced bath base
- 6 x adjustable flush C-Lenda™ centro jets
- 10 x adjustable flush C-Lenda™ mini jets
- 2 x flush C-Lenda™ air controls
- 1 x flush C-Lenda™ suction
- Spa Key remote control
- 1100 watt spa key heat boost pump

Available with Chrome, White or Black jets

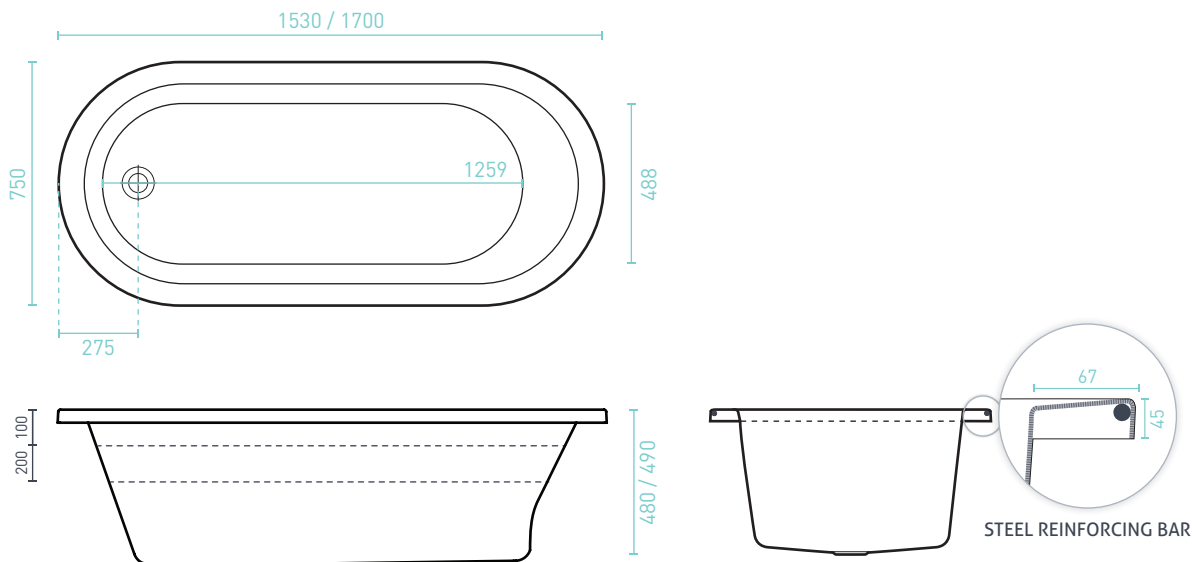


UNO ACCESSORIES	BATH	SANTAI SPA BATH	CONTOUR SPA BATH	DOLCE VITA SPA BATH
EZI Frame/Base Support Frame	Optional	Optional	Optional	✓
SIA Headrest (Black/White)	Optional	Optional	✓ x 1	✓ x 1
Overflow	Optional	Optional	Optional	Optional
Plug & Waste	Optional	Optional	Optional	Optional

\*Capacity 200mm below the bath rim

# UNO

ISLAND BATH/SPA BATH - Premium Sanitary Grade Acrylic, High Gloss White



## SPA BATH ORDER FORM

Spa baths are made to order on receipt of the order form & are non-refundable. Please allow 15 working days for completion & dispatch. We recommend filling out your SPA BATH ORDER FORM with your qualified spa bath installer.

COMPANY & BRANCH: \_\_\_\_\_ PHONE NO: \_\_\_\_\_

CONTACT: \_\_\_\_\_ ORDER NO: \_\_\_\_\_ DATE: \_\_\_\_\_

MODEL: \_\_\_\_\_ SIZE: \_\_\_\_\_ QTY: \_\_\_\_\_ RANGE  SANTAI  CONTOUR  DOLCE VITA

### SANTAI SPA BATH OPTIONS

- PUMP UPGRADE** Manual Xtra-Heat Boost Pump (RRP \$215)
- PUMP UPGRADE** Sensa-Touch Pad Control 3-Stage Heat (RRP \$425)
- EZI FRAME** (RRP from \$115) Supplied  Factory Fitted (Additional cost)
- BASE SUPPORT FRAME** Factory Fitted (RRP \$325)
- HEADRESTS** (RRP \$99 each) White QTY: \_\_\_\_\_ Black QTY: \_\_\_\_\_
- OVERFLOW** (RRP from \$120)

### CONTOUR SPA BATH OPTIONS

- EZI FRAME** (RRP from \$115) Supplied  Factory Fitted  (Additional cost)
- BASE SUPPORT FRAME** Factory Fitted (RRP \$325)
- HEADREST COLOUR** (NO additional cost) White  Black
- OVERFLOW** (RRP from \$120)

### DOLCE VITA SPA BATH OPTIONS

- HEADREST COLOUR** (NO extra cost) White  Black
- JET COLOUR** (NO extra cost) Chrome  White  Black
- OVERFLOW** (RRP from \$120)

### SPA PUMP NOTES

- The spa pump does not fit directly in the baths perimeter (allow 100mm)
- The spa pump must be easily accessible for maintenance
- Waste positions can not be changed
- The spa pump controls will always be at the front, unless indicated below
- We recommend spa pumps installed outside are fitted with a Spa Pump Cover (RRP \$199)

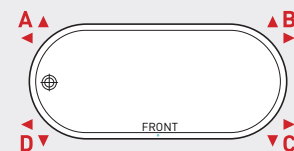
----- Please refer to the technical drawings before choosing your spa pump position, as spa bath waste & pump positions CAN NOT be customised -----

### 1. CIRCLE YOUR PUMP POSITION A / B / C / D ON THE DIAGRAM

300mm of pipework & 2 elbows are supplied to install the pump in the correct orientation. If extra pipework is required, how much? \_\_\_\_\_mm (max. recommended distance between the spa bath & pump is 1.2m)

### 2. CROSS (X) YOUR SHOWER HEAD POSITION ON THE DIAGRAM (if applicable)

Spa pump controls can not be on the same end as the shower.



CUSTOMER NAME: \_\_\_\_\_ CUSTOMER SIGNATURE: \_\_\_\_\_

CUSTOMER EMAIL: \_\_\_\_\_ CUSTOMER PHONE NO: \_\_\_\_\_

\*Whilst every effort is made to adhere to published jet & fittings positions, variation to specifications may occur without notice.