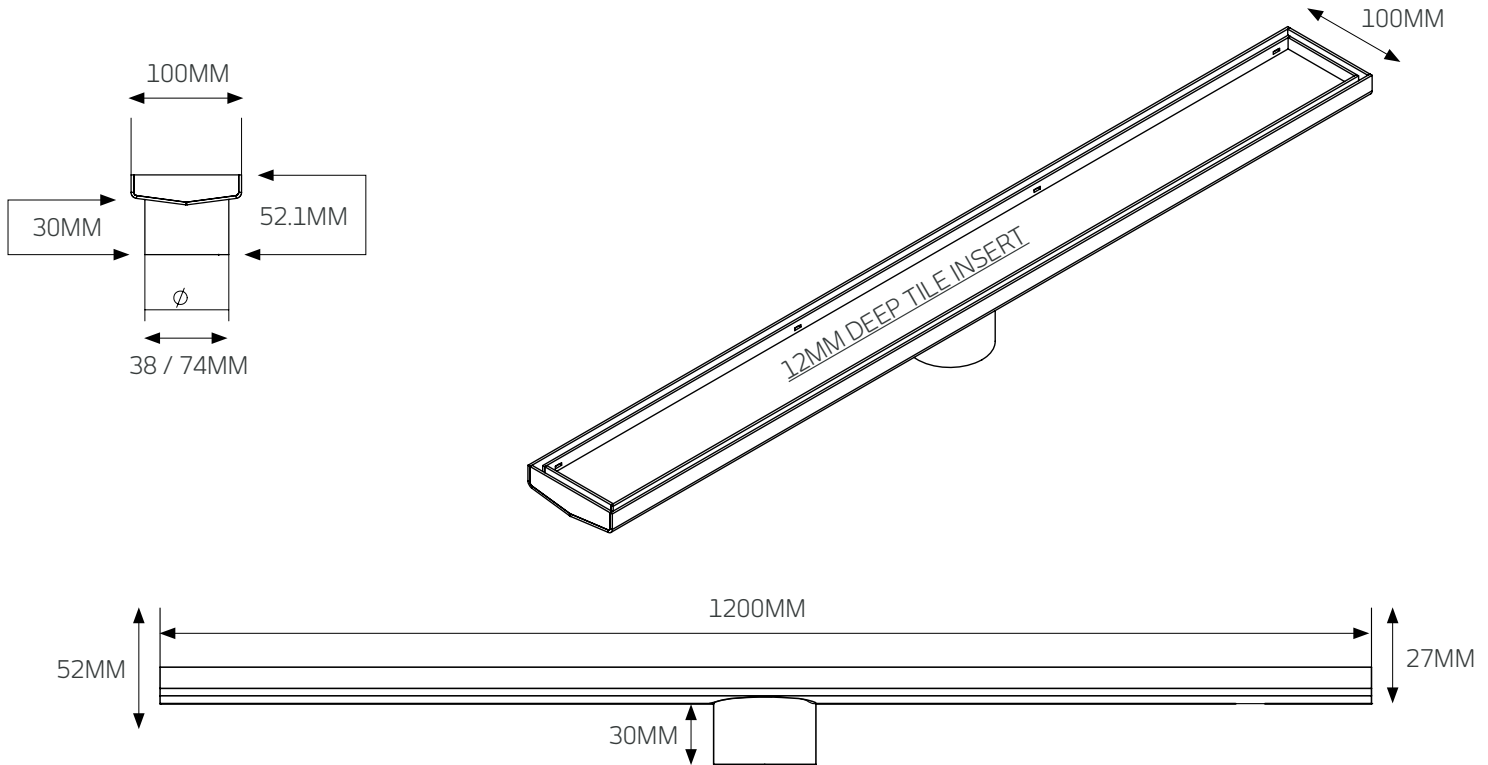




SHOWER GRATES *specifications*

RGL-1200 – 1200 x 100 x 38/74mm



FEATURES	CODE	SIZE (MM)	COLOURS	FINISH
• 304 stainless steel	RGL-1200	1200x100x74	Mirror Polished	Polished edges 
• Thickness of stainless steel is 2.3mm	RGL-1200-38	1200x100x38	Mirror Polished	Polished edges 
• Australian Watermark approved				
• 12mm deep insert can accommodate up to 10mm tile + adhesive				
• Covered by a 7 year warranty *				

* The replacement warranty for the coated grates are only applicable until the date of installation. Once Installed any damage to the coatings due to the incorrect use of cleaning products, mis-use or accidental damage, will not be covered under warranty.