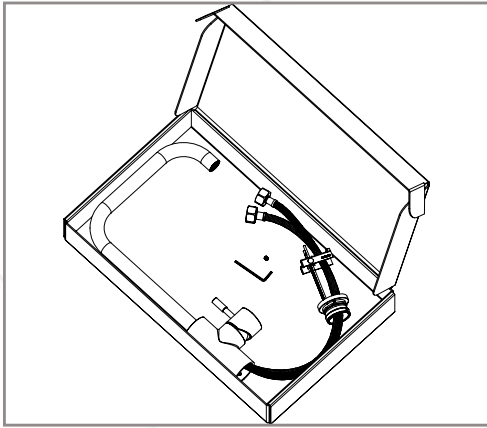
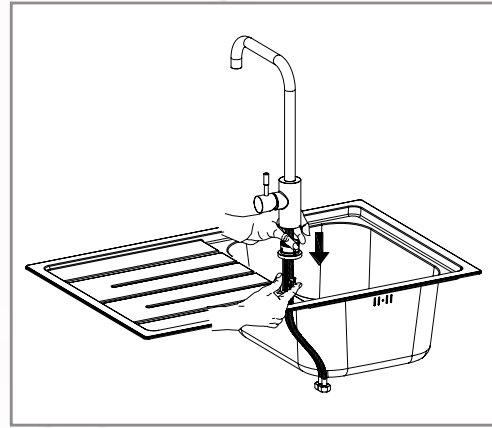


# 6 XPRESS steps.



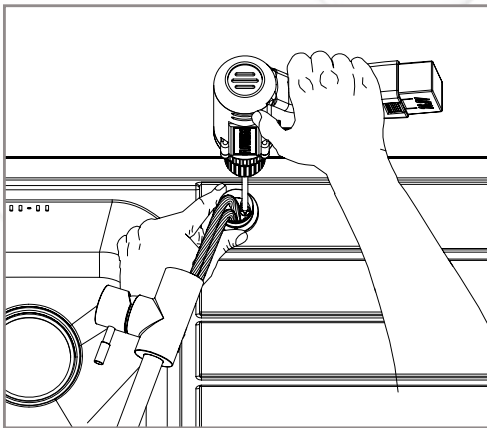
## STEP 1

Remove fully assembled mixer from packaging



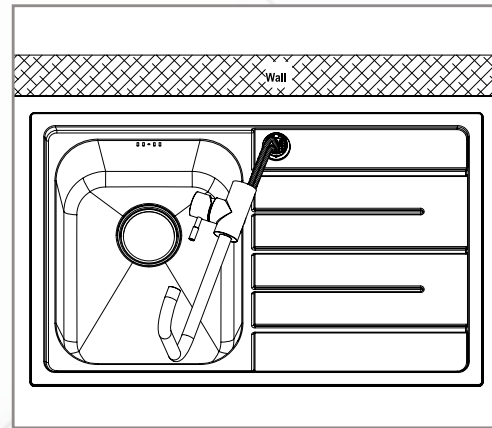
## STEP 2

Slide the PEX inlet hoses and clamp plate through the tap hole



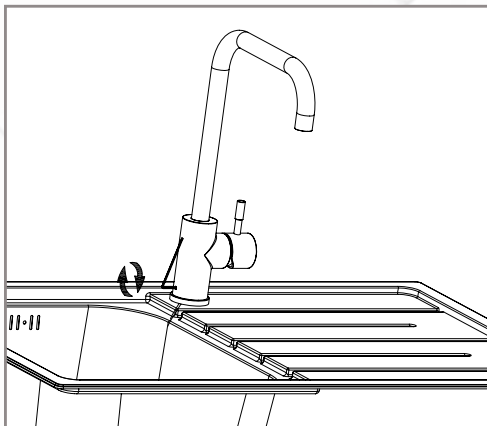
## STEP 3

Tighten the clamp plate using a power drill with a phillips head bit



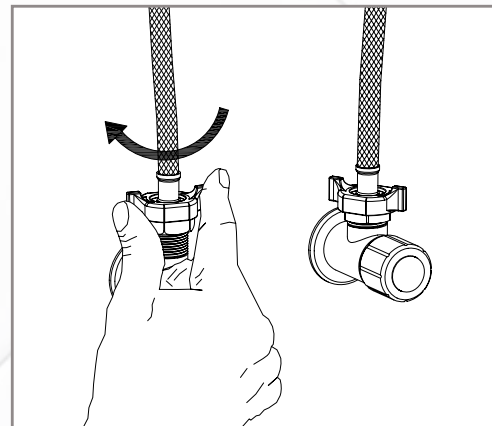
## STEP 4

Align the flange with the locating pin



## STEP 5

Secure mixer body to the flange with a hex key



## STEP 6

Using the locking nuts, connect the PEX inlet hoses to the water supply