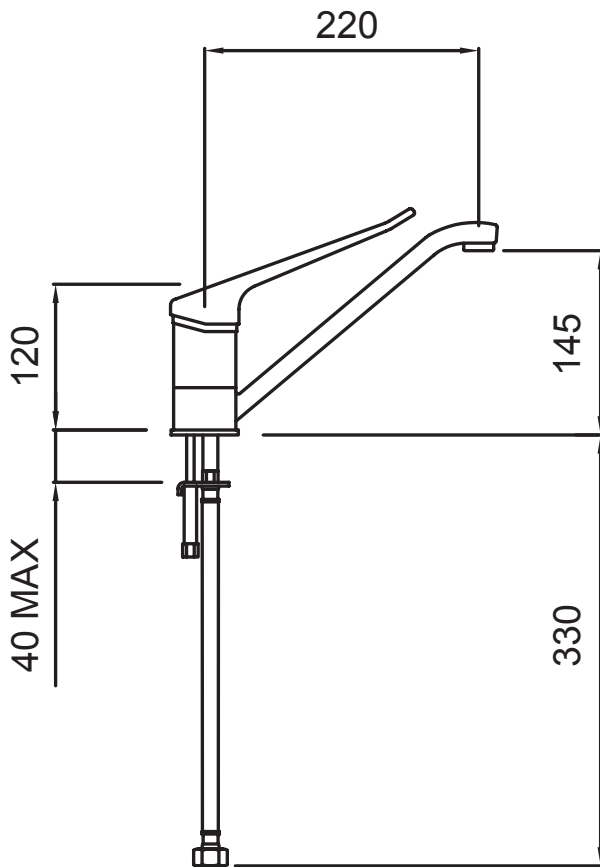


02-8306
NAIDA EXTENDED
LEVER SINK MIXER



FINISH: Chrome

CONSTRUCTION: Brass

CARTRIDGE TYPE: 40mm ceramic

SUPPLY: Mains Pressure

CONNECTIONS: 1/2" BSP Female

WORKING PRESSURES: 150 - 500 kpa

OPERATING TEMPERATURE: 5°C to 70°C*

*Refer AS/NZS 3500

- 40mm ceramic disc cartridge
- Adjustable temperature control settings to prevent scalding
- Solid brass construction for longevity
- Extended solid lever handle
- Tubular swivel spout fitted with Adjustable Stream Direction aerator
- Twin-stud mounting for secure sink installation
- Stainless steel flexible hoses - 1/2" BSP female
- Suitable for mains pressure installation

THE METHVEN GUARANTEE. For total peace of mind, all domestic tapware products include a 15 Year Parts and Labour Guarantee. For commercial installations, a Five Year Guarantee on Parts and Labour and a 10 Year Guarantee on Cartridge Replacements applies. For full terms and conditions, visit www.methven.com.