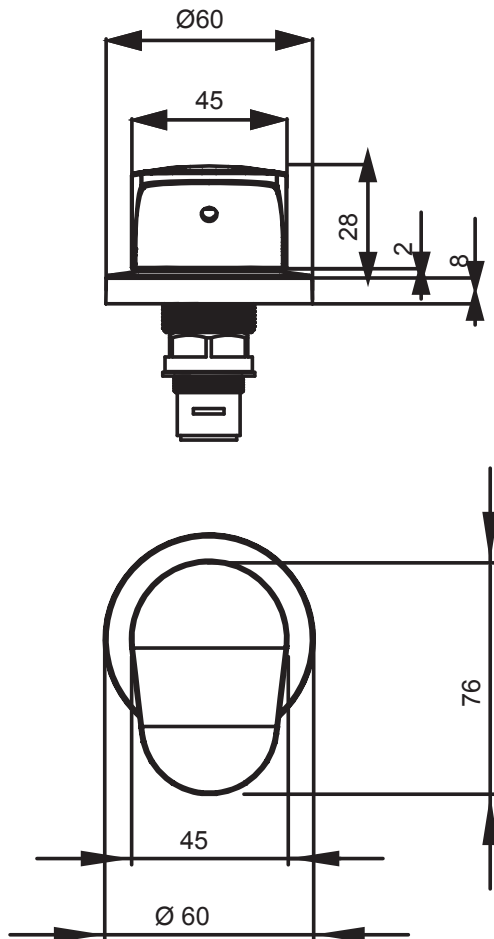


01-7706
KAHA WALL TOP
ASSEMBLY PAIR



FINISH: Chrome

CONSTRUCTION: Brass

CARTRIDGE TYPE: 1/4 turn ceramic disc

SUPPLY: Mains Pressure

CONNECTIONS: Suitable for standard breech

WORKING PRESSURES: 150 - 500 kpa

OPERATING TEMPERATURE: 5°C to 70°C*

*Refer AS/NZS 3500

- Standard Pair
- 1/4 turn ceramic disc technology
- Contra-rotating handles
- Solid easy-to-grip handles
- Breech not supplied
- Suitable for retro-fit to existing wall breech
- Suitable for mains pressure installation
- WELS rating not required