

# BATH/SHOWER MIXER - IN WALL BODY KIT

+

## PLUMBERS INSTALLATION INSTRUCTIONS

### Important Information

- \* Brazed connections should NOT be made directly onto the mixer, as excessive heat will cause permanent damage.
- \* All pipework must be thoroughly flushed prior to installation.

### Installation (Fig. 1)

- 1) Fit mixer body (1) onto a suitable mounting plate or noggin in the wall and secure using screws (not supplied) through the holes in the body. When facing the mixer, the connections should be as follows:  
Hot water inlet connection 'H' to the left.  
Cold water inlet connection 'C' to the right.  
Mixed water outlet connection, vertically upwards.  
Check all connections for leaks & tap for correct operation.

### Important :

- \* The front face of the mounting plate or noggin must be parallel to the finished wall/tile face.
- \* To avoid damaging the decorative finish, do not remove the protective sleeve (2) until installing the trim kit.
- \* If the shape of the body sleeve (1) is not round, then the rotational alignment of the body must be accurate. (Refer to the trim kit instructions)

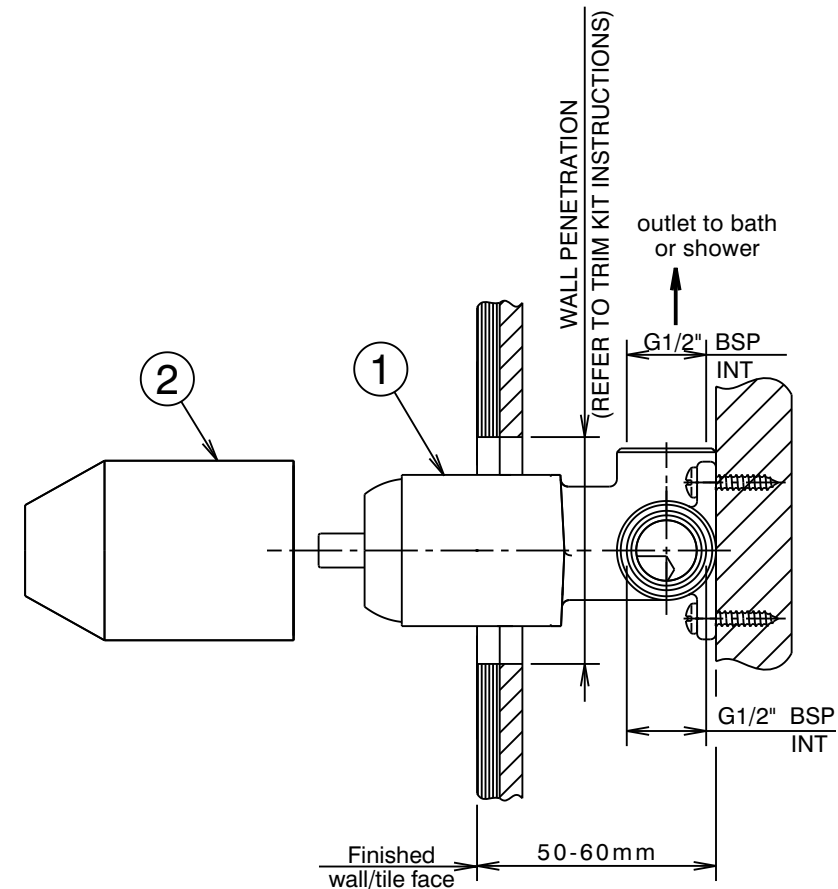


Fig. 1

### **IMPORTANT**

#### Pressure & Temperature Requirements.

- Hot and cold water inlet pressures should be equal.
- Static inlet pressure range : 150 -1000 kPa  
New Regulation :-500 kPa maximum static pressure at any outlet within a building. (Ref. AS/NZS 3500.1)
- Maximum hot water temperature : 80°C.

+