

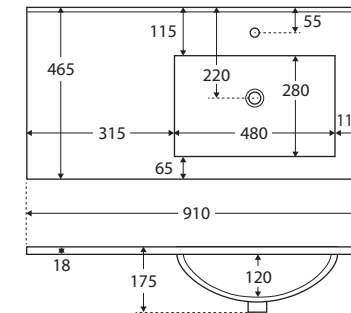
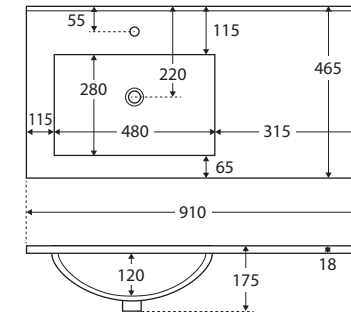
Dolce Offset

900MM CERAMIC BASIN-TOP

Features

- 20 mm thick ceramic basin-top
- Gloss white, glazed finish
- Left-hand and right-hand offset basin options
- 12 o'clock tap hole as standard
- Requires 32 mm waste, with overflow (not included)

Please note: Offset basin must be installed above cabinet doors. Basin cannot be positioned above drawers.



Available in



1 Tap Hole
Left Basin
TCL90L



3 Tap Holes
Left Basin
TCL90L-3



1 Tap Hole
Right Basin
TCL90R



3 Tap Holes
Right Basin
TCL90R-3

Cleaning & Care

- Wipe with a clean, soft cloth and mild soapy water or non-abrasive bathroom cleaner. Test in an inconspicuous area before cleaning the whole top.
- Avoid placing hot objects, such as hair straighteners, on any surface as these will cause discolouration and marking.
- Spills of hair dye, after-shave lotion, nail polish and remover, aerosol spray and other harsh chemicals should be removed immediately to prevent damage and discolouration. Clean immediately with mild soapy water using a clean, soft cloth.

While we aim to ensure specifications are correct at the time of publication, Fienza reserves the right to make modifications without prior notice. Physical colour may vary from image shown. All measurements are shown in millimetres. Always use physical product measurements for mark-ups and roughing-in as the technical drawing may differ from actual product received. Tapware not included.