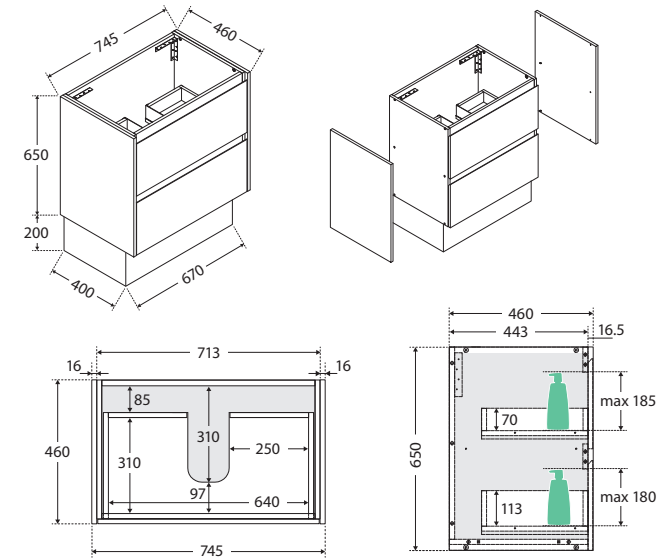


Amato®

750MM CABINET ON KICKBOARD WITH SOLID PANELS

Features

- Customised options with solid side panels in four finishes
- Bevelled edge pull channel
- Interior drawer finish matches the external drawer fronts
- Full extension, soft close drawer runners
- 16 mm thick backing board and drawer bases
- Made from sustainably sourced timber



Available in



Satin White with
Satin White Panels
75BWK



Scandi Oak with
Scandi Oak Panels
75BSK



Industrial with
Industrial Panels
75BXK



Satin Black with
Satin Black Panels
75BBK



Mixed finishes
available. See our
website for details.

Cleaning & Care

- Regularly clean with mild soapy water using a clean, soft cloth.
- Do not use harsh detergents, bleach, abrasive cleaners or cream/wax cleaners. These substances can result in scratches and/or deposit build-ups that will affect the appearance.
- Avoid placing hot objects, such as hair straighteners, on any surface as these will cause discolouration and marking.
- Spills of hair dye, after-shave lotion, nail polish and remover, aerosol spray and other harsh chemicals should be removed immediately to prevent damage and discolouration. Clean immediately with mild soapy water using a clean, soft cloth.

While we aim to ensure specifications are correct at the time of publication, Fienza reserves the right to make modifications without prior notice. Physical colour may vary from image shown. All measurements are shown in millimetres. Always use physical product measurements for mark-ups and roughing-in as the technical drawing may differ from actual product received.