

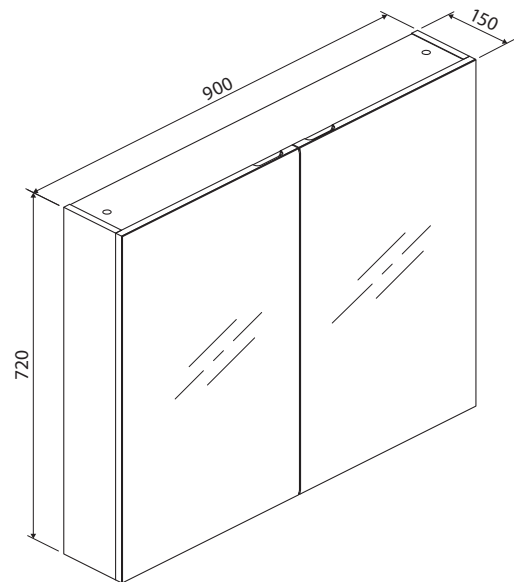
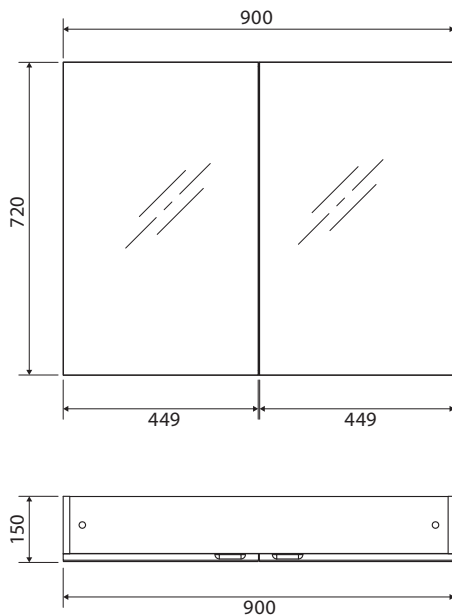


MIRRORS & CABINETS

900 mm Pencil Edge Mirror Cabinet

PSH900

- Treated with resin emulsion paint to protect against corrosion
- 5mm thick pencil edge mirror doors
- Soft-close doors
- Three internal board shelves
- 2-Pac gloss white finish
- Can be recessed into wall (excludes side shelves)
- Made from E1 MDF board
- Strong 16mm thick backing boards
- Easy to install: with high quality backing boards, fixings can be placed anywhere through the back of the cabinet



WARRANTIES: DOMESTIC USE



MIRROR CABINET - CABINET ONLY:
5 years replacement parts or product



MIRROR CABINET - DOORS ONLY:
1 year replacement parts

WARRANTIES: COMMERCIAL USE



MIRROR CABINET - CABINET ONLY:
1 years replacement parts or product



MIRROR CABINET - DOORS ONLY:
1 year replacement parts