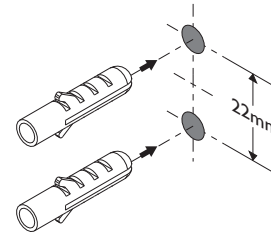


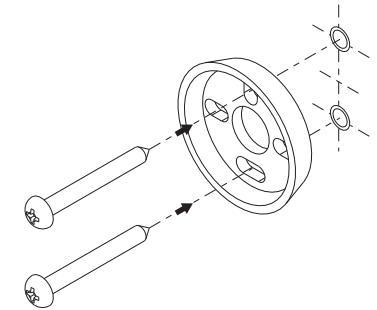
1

- Mark the desired centre position of the accessory with a pencil.
- Using a ruler or measuring tape, mark two hole locations at 22mm spacing.
- Use the Mounting Plate to check if markings are correct.
- Drill holes and push in Wall Plugs.



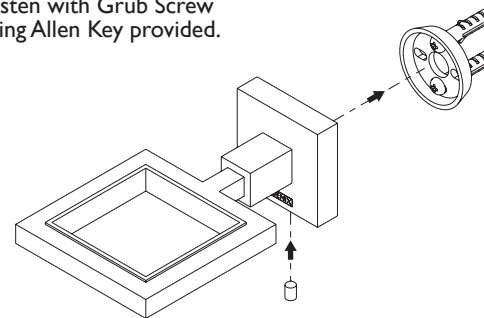
2

- Fasten the Mounting Plate to the wall with Screws.



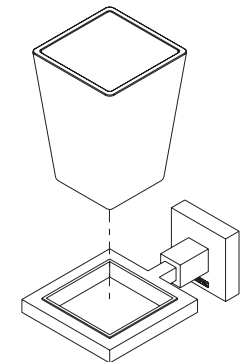
3

- Push the Accessory onto the Mounting Plate.
- Fasten with Grub Screw using Allen Key provided.



4

- If applicable, place tumbler into Accessory holder.



WARRANTY:

Please refer to the full warranty statement enclosed with the product before installing. Or visit www.phoenixtapware.com.au to download a copy.

MAINTENANCE AND CARE:

- Products should be cleaned with mild liquid detergent or soap and water.
- Do not use cream cleaners or citrus based cleaning products, as they are abrasive.
- Use of unsuitable cleaning agents may damage the surface. Any damage caused in this way will not be covered by warranty.

DISCLAIMER:

While we aim to ensure the specifications shown are correct at the time of printing, Phoenix Tapware reserves the right to make modifications without prior notice. Always use the physical product measurements for mark-ups and roughing-in as the line drawing shown may differ from the actual product over time.

*All measurements are shown in millimeters.