

MIXXX

tapware & accessories

MAGNOLIA COLLECTION

Item Code: 11SL054C
WELS Rating: N/A
Flow Rate (L/Min): N/A
Cartridge: 40mm Ceramic Disc
Pressure Rating: 1500kPa
Operating Temp: 1-80°C
Finish: Chrome
Warranty: 20 Years

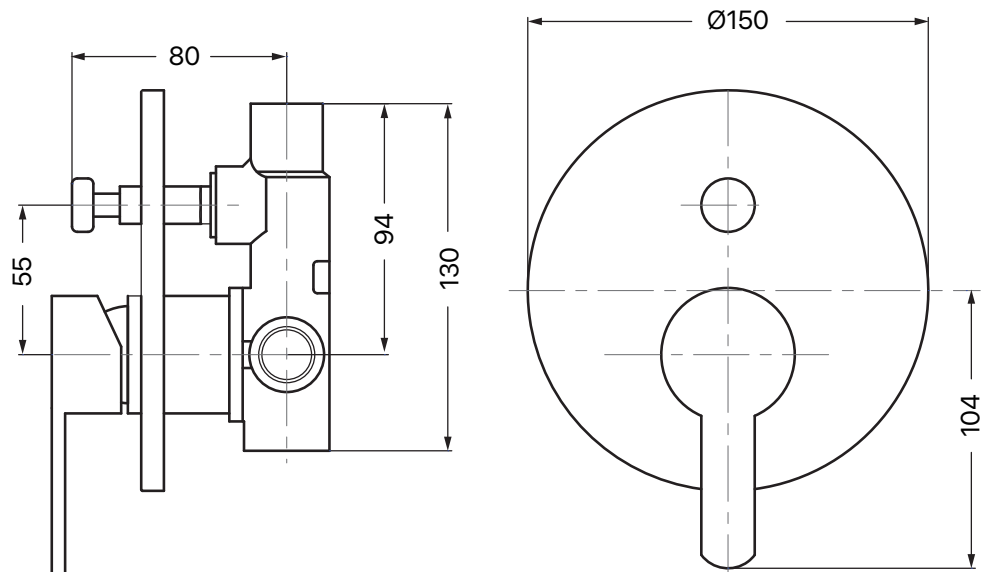


Available Finishes



Chrome

Magnolia Shower Diverter Mixer



A BRAND BY
BRASSHARDS
— GROUP —

www.mixxtapware.com.au | info@mixxtapware.com.au