

**EMILIA**  
RECTANGULAR VANITY BASIN

Nominal Size 390 x 310mm



0 TAPHOLE

# EMILIA

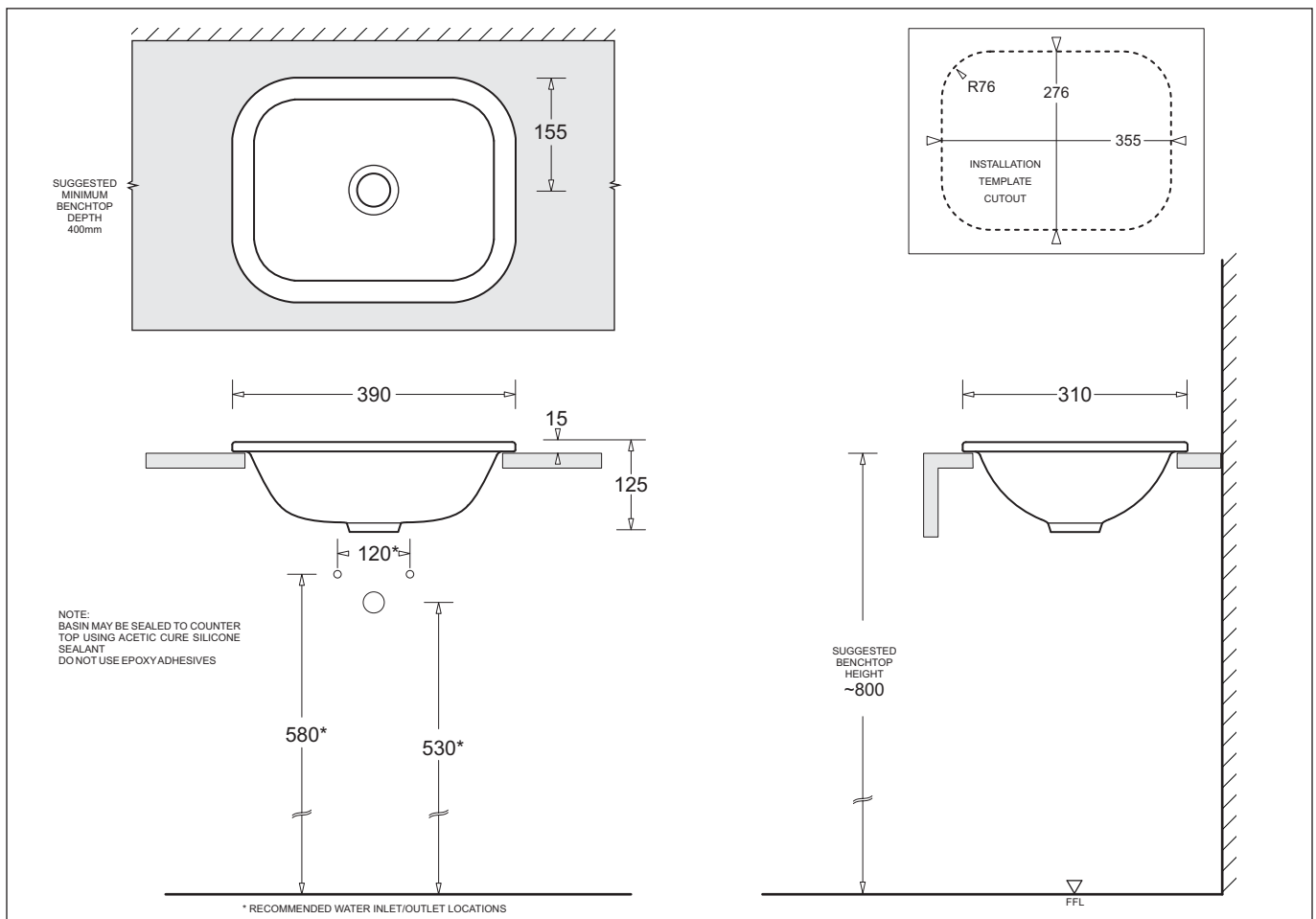
## RECTANGULAR VANITY BASIN



- Contemporary vitreous china vanity basin
- Compact space-saving style
- No taphole - allows for bench or wall-mount tapware
- 32mm waste outlet
- 390 x 310mm
- Capacity 4.9L

### Provided

Item	Description	Code
Basin	Emilia Rectangular Vanity Basin	JBSE139
Plug & Waste	Pop-up Waste 32mm-Chrome	PW6
Installation	Counter template	✓



All dimensions are in millimetres and are subject to normal manufacturing variation of +/- 3mm on all surfaces. As product development is ongoing BPA reserves the right to vary specifications without notice.