

BOTTLE TRAP

JohnsonSuisse
Bathroom Solutions

32/40mm
CHROME/BLACK FINISH

CODE:
BT1

FEATURES

- ATTRACTIVE DESIGN SUITABLE FOR EXPOSED INSTALLATIONS
- BRASS BODY WITH CHROME OR BLACK FINISH
- VERTICAL AND HORIZONTAL ADJUSTMENT FOR INSTALLATION FLEXIBILITY
- 32/40mm ADAPTER INCLUDED FOR FITTING TO 32 OR 40mm WASTE
- RUBBER KEESEAL CONNECTOR INCLUDED

OPTIONS

32/40mm BOTTLE TRAP - CHROME
32/40mm BOTTLE TRAP - BLACK

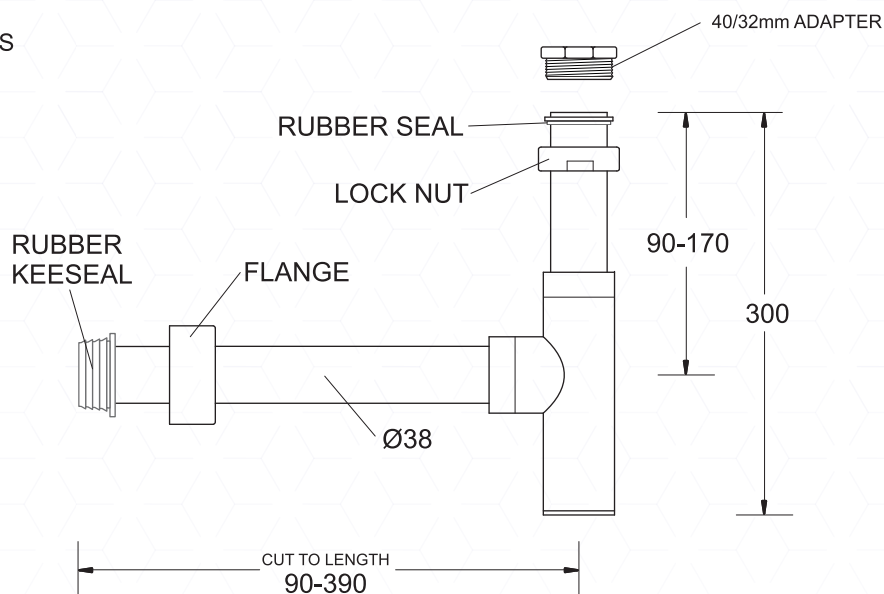
BT1
BT1B

WARRANTY

1 YEAR - PRODUCT/PARTS REPLACEMENT
REFER TO T&CS AT johnsonsuisse.com.au



PRODUCT DIMENSIONS



TECHNICAL DATA SHEET

SUPERSEDES ALL PREVIOUS ISSUES

All dimensions are in millimetres and are subject to normal manufacturing variation.
As product development is ongoing BPA reserves the right to vary specifications without notice.
Bathroom Products Australia P/L ABN 87 079 297 617

JohnsonSuisse
Bathroom Solutions

2/97 Banksia St., Botany, NSW 2019
TEL: 1300 717 717 FAX: 1300 746 480
www.johnsonsuisse.com.au

V0 0121