



*JohnsonSuisse*

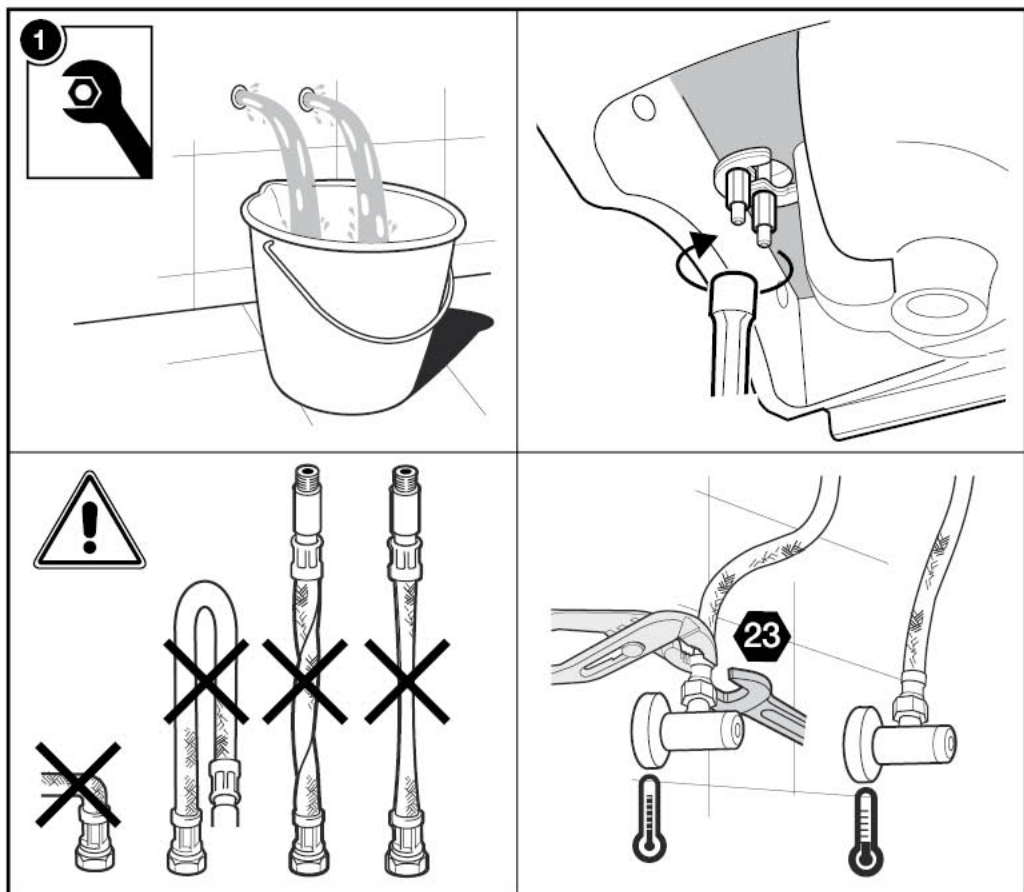
# FELINO
















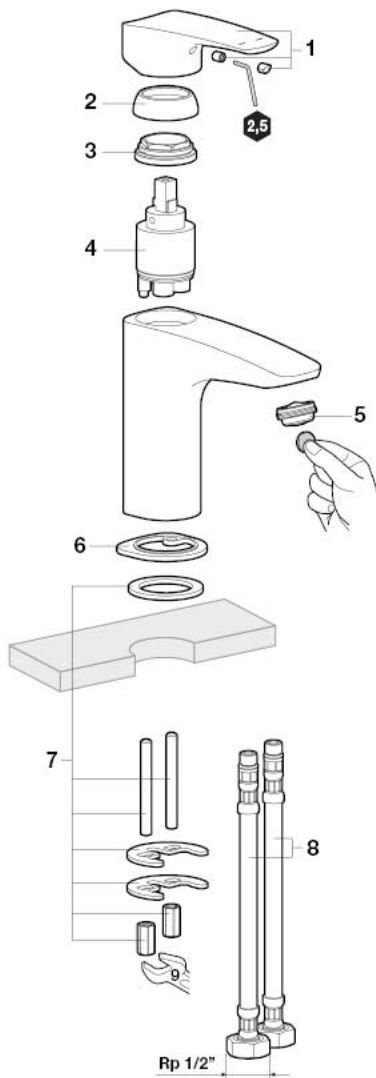
AS/NZS 3718  
WMKA 25255





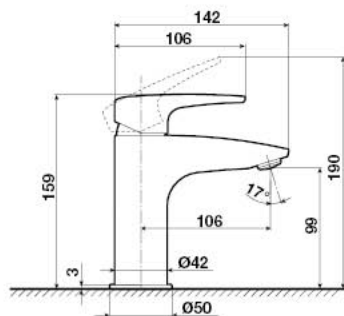


 <b>P</b> 	<b>P</b> kPa	 <b>MAX</b> 1000	
 <b>P</b> 	<b>P</b> kPa	<b>MIN</b> 100  <b>500 MAX</b>	<b>300</b> <b>200</b>  
  <b>T</b>	<b>°C</b>	 <b>80 MAX.</b>	 <b>65</b> <b>45</b> 



**WBFA301358CP**

**JTFL121**

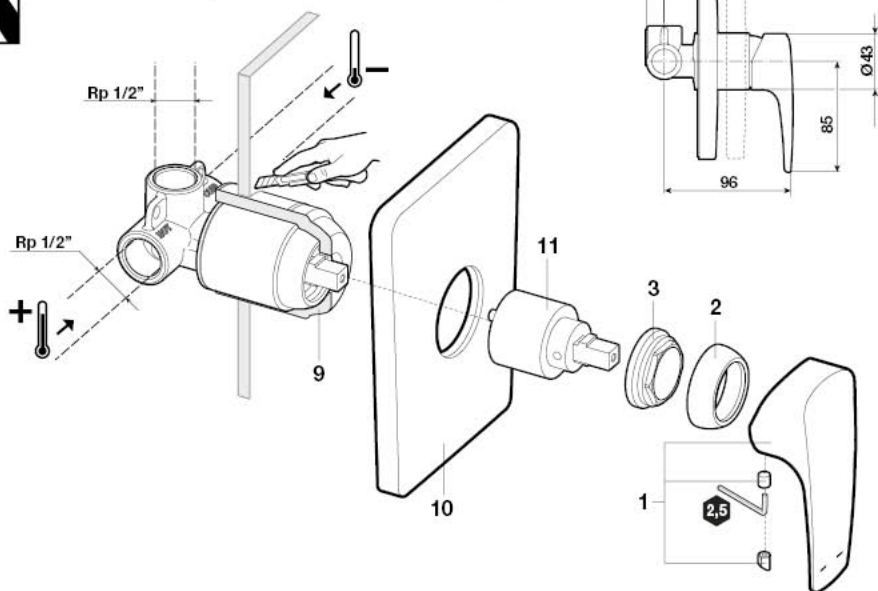


3



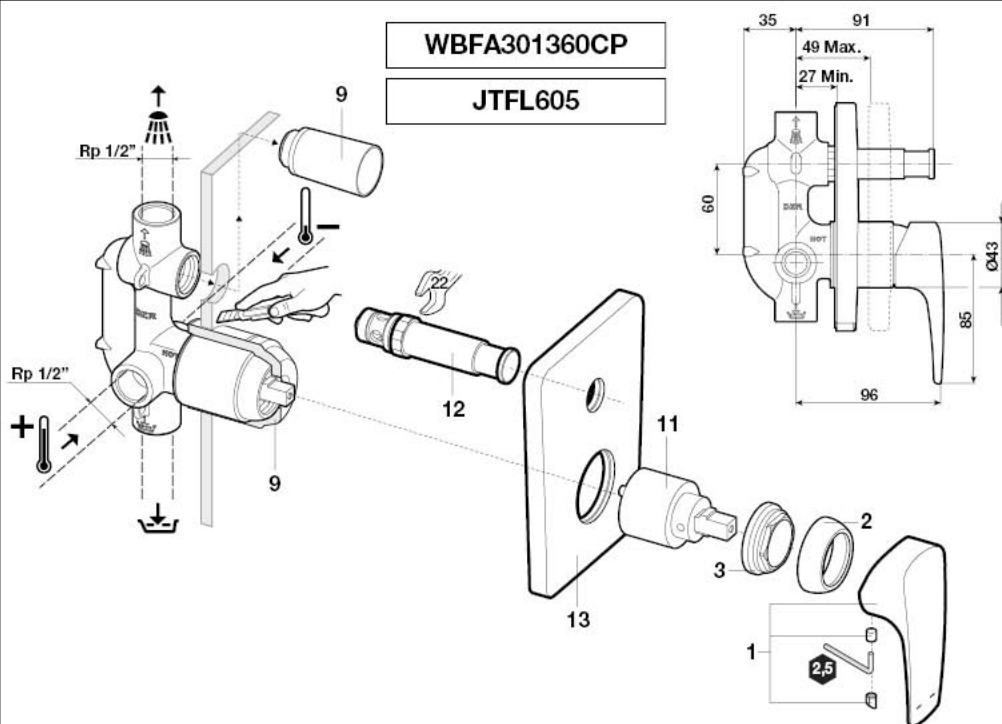
WBFA301359CP

JTFL705



WBFA301360CP

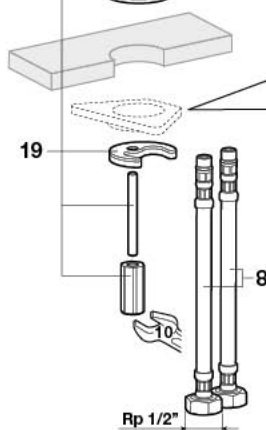
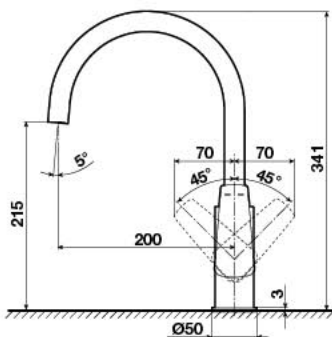
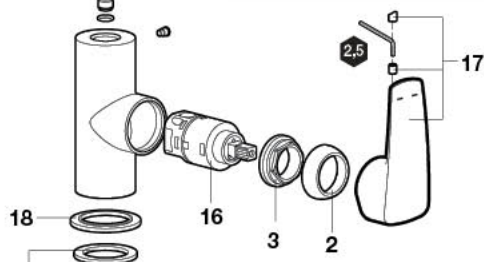
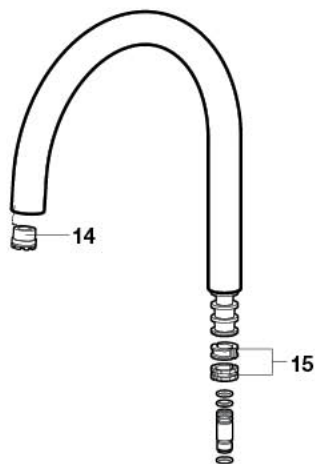
JTFL605

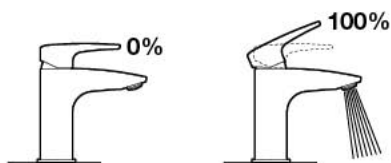
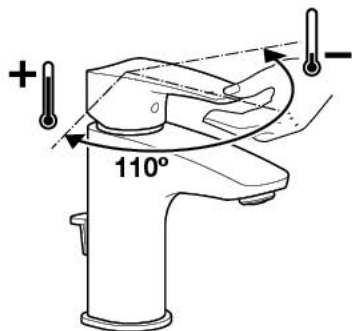




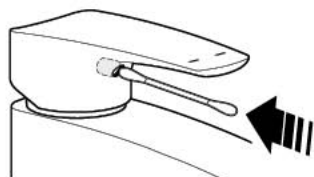
WBFA301364CP

JTFL423

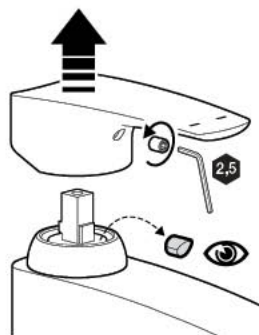




1



2



1 - QRF0000NE000370

8 - QRF0900NE000414

15 - QRF0700NE000392

2 - QRF0300NE000371

9 - QRF0700NE000408

16 - QRF0000NE000394

3 - QRF0300NE000372

10 - QRF0000NE000411

17 - QRF0300NE000395

4 - QRF0700NE000373

11 - QRF0300NE000406

18 - QRF0000NE000396

5 - QRF0700NE000369

12 - QRF0000NE000410

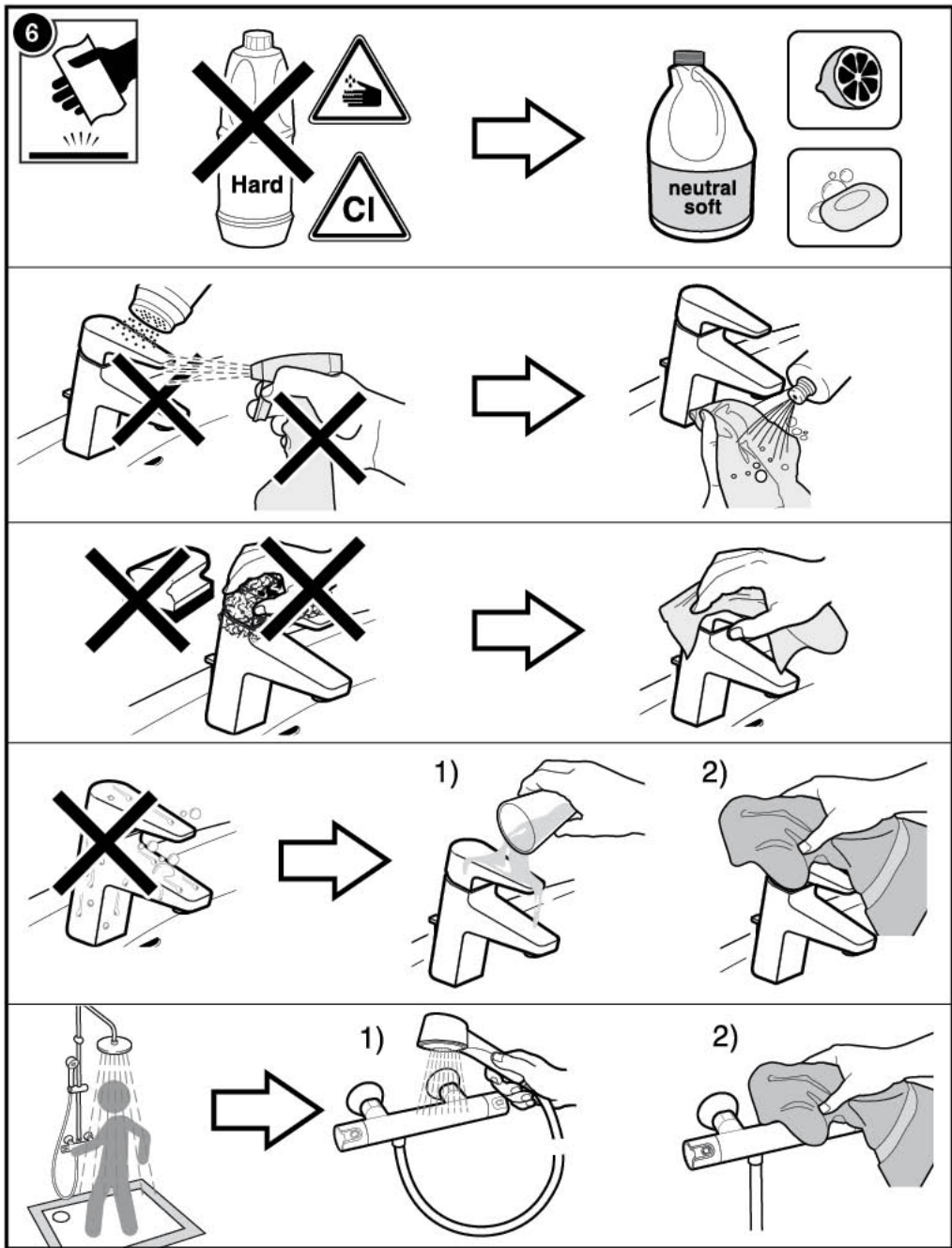
19 - QRF0300NE000397

6 - QRF0000NE000375

13 - QRF0000NE000409

7 - QRF0300NE000376

14 - QRF0700NE000415



A553094607d

**Bathroom Products Australia Pty Ltd.**

2/97 Banksia Street BOTANY NSW 2019

T: 1300 717 717 / F: 1300 746 480

e: [bpa.info@johnsonsuisse.com.au](mailto:bpa.info@johnsonsuisse.com.au)

w: <https://johnsonsuisse.com.au/>