

BUILDERS

SHOWER / WALL MIXER BODY ONLY

PRODUCT CODE: 150-7804-00
 FINISH: CHROME
 WELS: N/A

INFORMATION:

TEMPERATURE RATING: MIN 1° - MAX 75°
 PRESSURE RATING: MIN 150 kPa - MAX 500 kPa

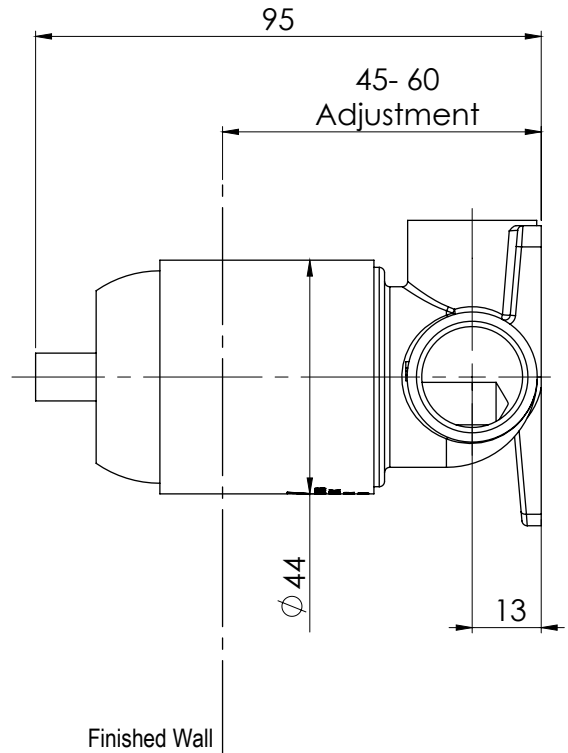
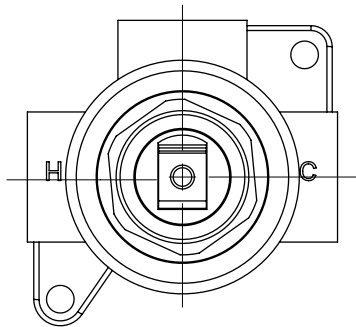


USE WITH: 151-7805-00 ARLO SHOWER / WALL MIXER TRIM KIT ONLY
152-7805-00 TEVA SHOWER / WALL MIXER TRIM KIT ONLY
153-7805-00 PINA SHOWER / WALL MIXER TRIM KIT ONLY
154-7805-00 IVY MKII SHOWER / WALL MIXER TRIM KIT ONLY

AVAILABLE IN:



* 1 Year Warranty - Phoenix Builders Matte Black Finish
 FOR MORE INFORMATION VISIT
www.phoenixtapware.com.au



PLEASE [CLICK HERE TO VIEW FULL WARRANTY](#)

While we aim to ensure the specifications shown are correct at time of printing, Phoenix Tapware reserves the right to make modifications without prior notice. Always use the physical product measurements for mark-ups and roughing-in as the line drawing shown may differ from the actual product over time. All measurements are shown in millimetres.

www.phoenixtapware.com.au
 03 9780 4200

BUILDERS

SHOWER / WALL MIXER BODY ONLY

PRODUCT CODE:

150-7804-00

FINISH:

CHROME

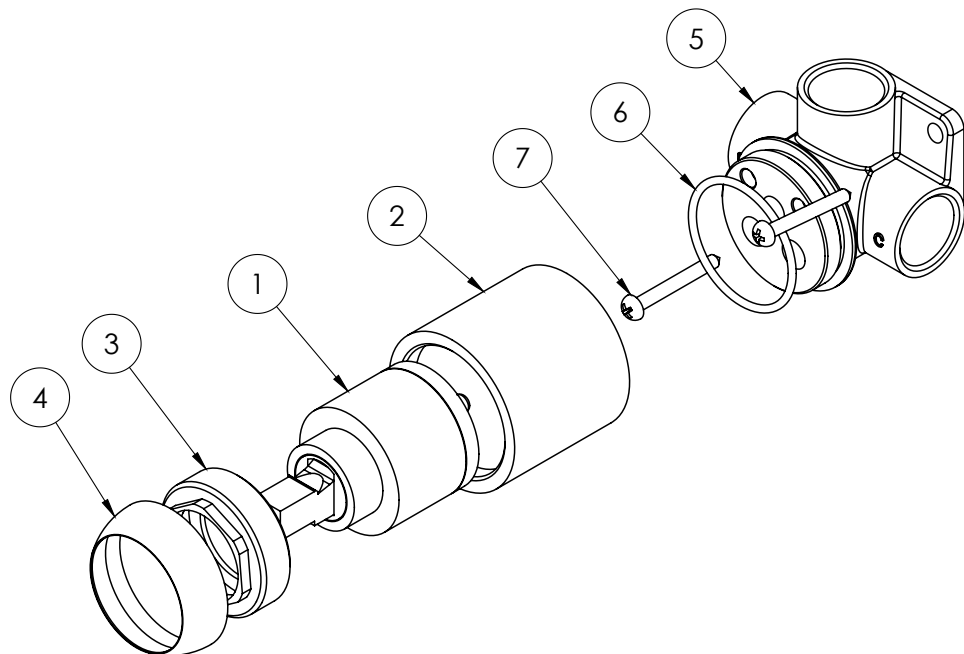
WELS:

N/A



PARTS LIST

1. 35MM CARTRIDGE
2. SLEEVE
3. LOCKNUT
4. DOME
5. MIXER BODY
6. O-RING 33X2.0
7. SCREW



MAINTENANCE AND CARE:

- All surfaces should be cleaned with mild liquid detergent or soap and water.
- Do not use cream cleaners or citrus based cleaning products, as they are abrasive.
- Use of unsuitable cleaning agents may damage the surface. Any damage caused in this way will not be covered by warranty.

PLEASE [CLICK HERE TO VIEW FULL WARRANTY](#)

While we aim to ensure the specifications shown are correct at time of printing, Phoenix Tapware reserves the right to make modifications without prior notice. Always use the physical product measurements for mark-ups and roughing-in as the line drawing shown may differ from the actual product over time. All measurements are shown in millimetres.

www.phoenixtapware.com.au
03 9780 4200