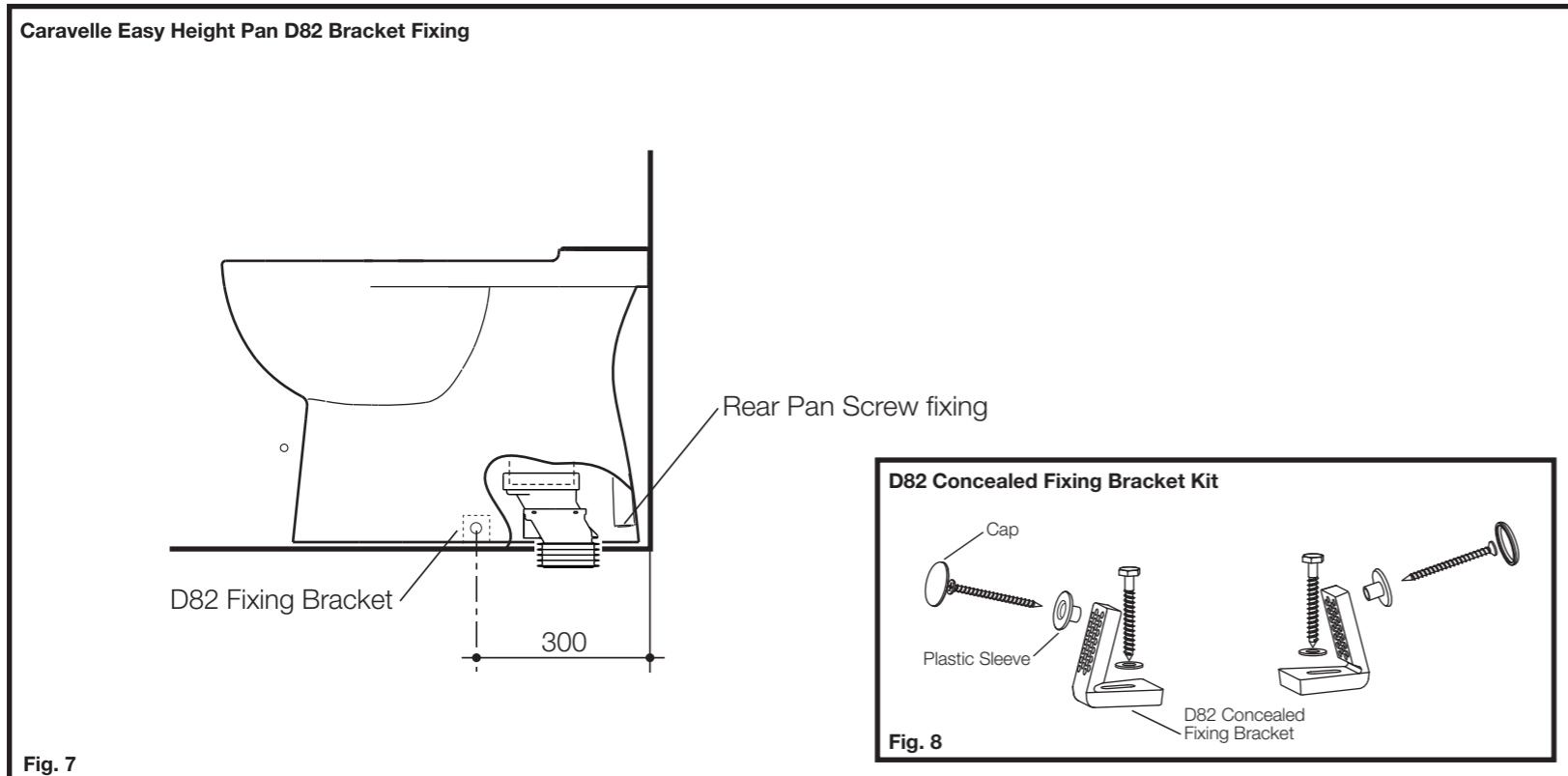
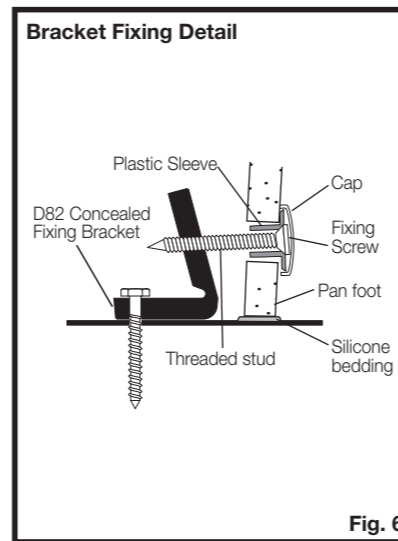
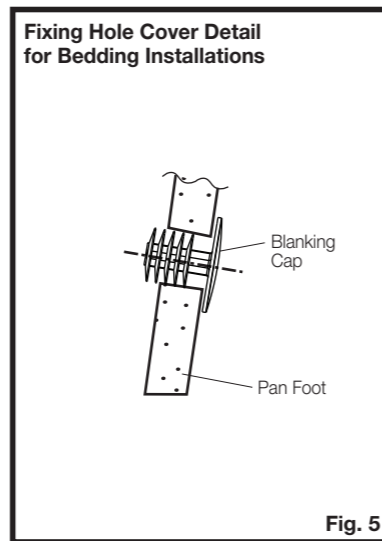
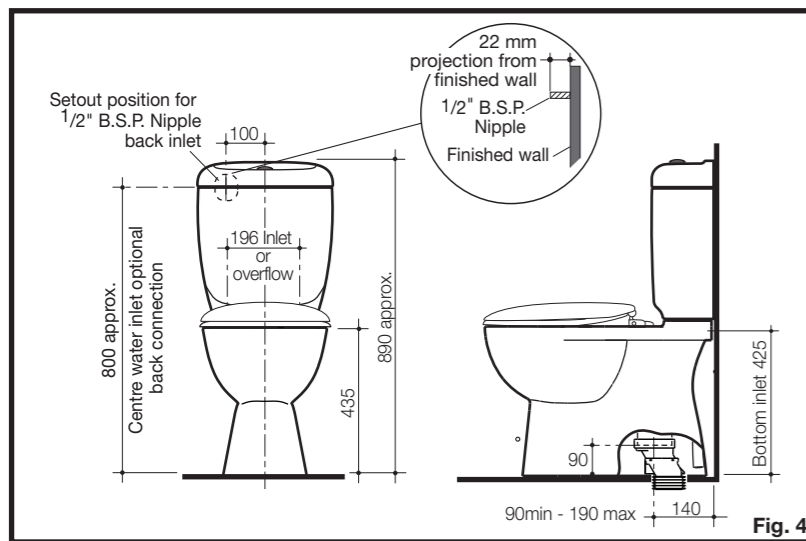
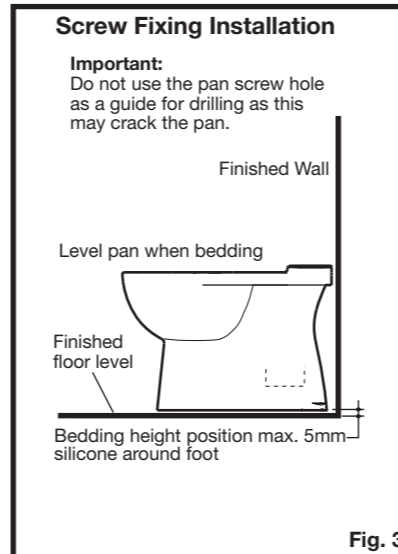
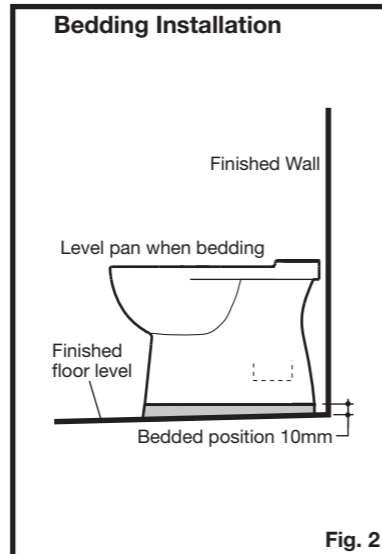
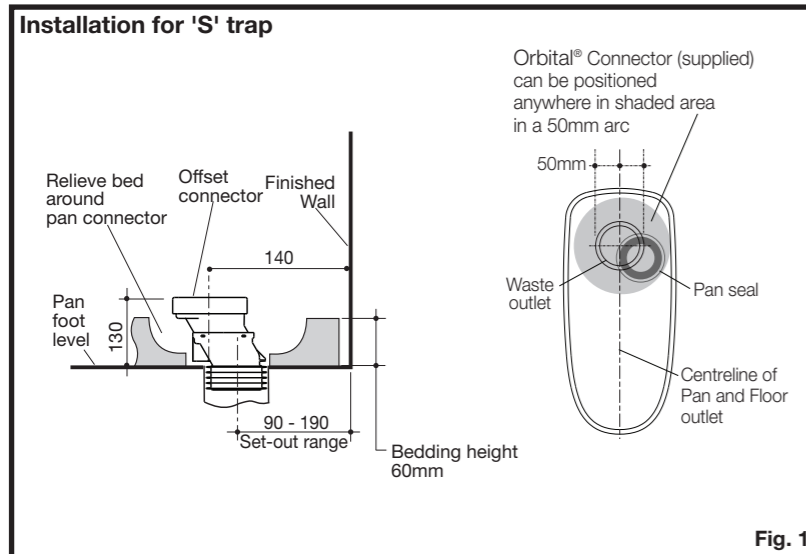


# Caroma® Caravelle Easy Height Close Coupled Pan

## PLUMBERS INSTALLATION INSTRUCTIONS For Vitreous China Caravelle Easy Height Close Coupled Pan PLEASE READ CAREFULLY BEFORE INSTALLATION



**Note:** The 'S' trap pan is supplied with the Caroma performance approved Orbital® variable offset pan connector. Code No: 416002. Set outs can be achieved with the pan remaining on the centre line of floor outlet.

**ROUGHING IN:**  
The Caravelle 'S' trap pan installation is detailed in Fig. 1. The recommended set-out for 'S' trap installations is 140mm from the finished wall. The 50mm offset connector (supplied) is available to achieve a set out of 140mm, where the soil pipe is between 90mm min. and 190mm max. from the finished wall. The connector also allows for sideways positional movement, as detailed in Fig. 1.

For Back inlet connection it is important that the cold water connection (1/2" BSP connector nipple) be accurately position in the wall as detailed in Fig. 4.

### PAN FIXING PROCEDURE

**Pan bedding:**  
(Not to be used when armrests or support cistern is installed)

- 1- Remove an area of tiles which are within the internal area covered by the foot of the pan to expose the sub floor and provide a bondage key for the bedding mixture.
- 2- Ensure that the bedding area is clean and free of building material.
- 3- Prepare bedding sand cement mixture 3:1 to depth of 60mm as detailed in Fig. 1.  
**Note:** Do not fill the foot of the pan with bedding mix or include lime or fast drying cement into the mix, these may cause cracking in the foot of the pan.
- 4- Reposition and connect pan onto Orbital® Connector and level pan into bedding mixture, so that the back of the foot of the pan is approximately 10mm above the finished floor. It is recommended that wedges are used to support the foot of the pan during the positioning, as detailed in Fig. 2.
- 5- Adjust pan position if necessary. Allow bedding mixture to set for at least 24 hours prior to use.
- 6- Locate Blanking Cap into pan fixing holes as detailed in Fig. 5.

**Screw and Bracket fixing:**  
(Both screw and bracket fixings must be used when armrests or support cistern is to be installed.)

- 1- Position and push pan onto Orbital® Connector using the marked centre line on the floor (refer Fig. 1) as a guide to ensure that all fittings locate correctly. Locate the cistern onto the pan, checking that the cistern aligns with the finished wall. Adjust pan position if necessary and mark location of the Rear Pan Screw holes on the floor.
- 2- Locate the D82 Concealed Fixing Brackets (supplied) into position on centre line of pan 300mm from the finished wall and mark bracket fixing hole centres on finished floor as detailed in Fig. 7. Remove the cistern and pan.

**IMPORTANT-DO NOT USE THE PAN SCREW HOLES AS A GUIDE FOR DRILLING AS THIS MAY CRACK THE PAN.**

- 3- Drill the two rear pan screw fixing holes and the two D82 Concealed Bracket fixing holes in the marked positions on the floor. The hole diameter is dependent on the type of fixing system and floor finish.

- 4- Place rear pan screw inserts (not supplied) into rear pan screw fixing holes drilled into the floor and also secure the D82 Concealed Fixing Brackets to the finished floor.

- 5- Ensure that the area around the floor is clean and free from building materials.

- 6- Run a bead of acetic cured silicone sealant at a height of 8mm approximately fully around the foot of the pan which contacts the floor. Use Wedges around the foot base (if required) so that the **maximum height of silicone sealant is not greater than 5mm on completion on bedding**, as detailed in Fig. 3.

- 7- Reposition and connect pan onto Orbital® Connector.

- 8- Fix pan to the floor by screwing suitable corrosion resistant screws into the rear pan screw holes.

**IMPORTANT-DO NOT OVER TIGHTEN, AS THIS MAY CRACK THE PAN FOOT.**

- 9- Locate Plastic Sleeve into side bracket fixing holes in the pan. Fit Fixing Screws into the Plastic Sleeve and tighten to bed pan to floor while ensuring level, as detailed in Fig. 6.

**IMPORTANT-DO NOT OVER TIGHTEN, AS THIS MAY CRACK THE PAN FOOT.**

- 10- Snap on plastic cap, as detailed in Fig. 6.

- 11- Provide support under the pan foot so that it is maintained in the levelled position while the silicone sealant sets. Remove any excess sealant to provide a neat joint between the pan and the floor. Allow at least 24 hours for the bedding sealant to set before use.



**IMPORTANT**  
TO ACHIEVE A SATISFACTORY 4.5/3L FLUSH PERFORMANCE AND A 4 STAR WATER EFFICIENCY RATING THE CISTERN MUST BE MATCHED WITH A COMPATIBLE CAROMA SMARTFLUSH 4.5/3L TOILET PAN.

All measurements are subject to accepted manufacturing tolerances. To ensure accuracy please check actual product dimensions before drilling for installation. The manufacturer reserves the right to change specifications at any time without giving prior notification. This product should be installed by a qualified plumber. Local authority, Water Board, and Building Regulations may apply to the installation of this product, and you should consult the appropriate bodies on these requirements.