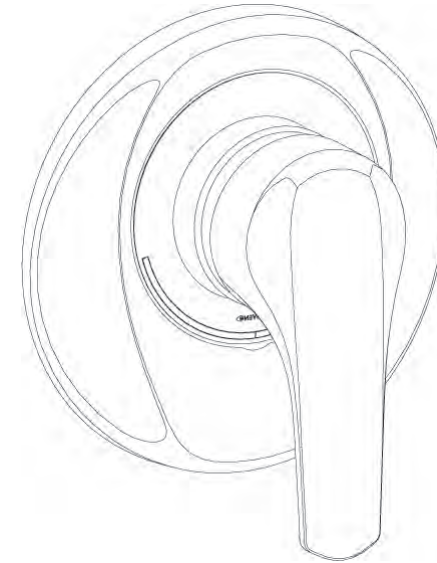


Futura Shower Mixer

O2-4100

O2-8016



Installation Guide

IMPORTANT

Please read all of the instructions before installation

Use of this product in non-domestic applications voids warranty.

Avoid restrictive piping, fittings and sharp angled bends when plumbing the mixer.

All pipe work must be thoroughly flushed prior to the installation of the mixer.

NEFA inline filters must be installed on both hot and cold supplies.

Do not remove the ceramic cartridge from the mixer when installing.

Damage caused by hydrostatic testing is not covered by our warranty.

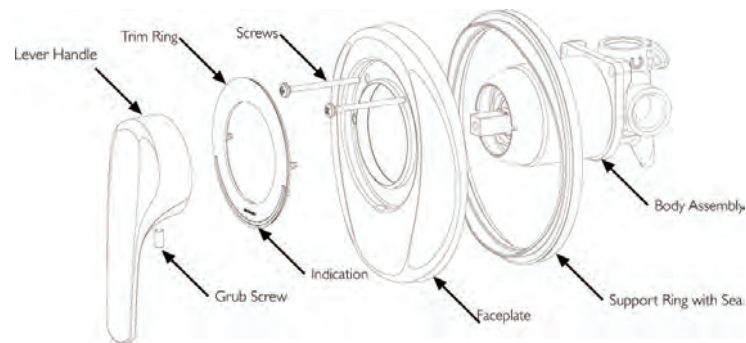


Technical Specifications

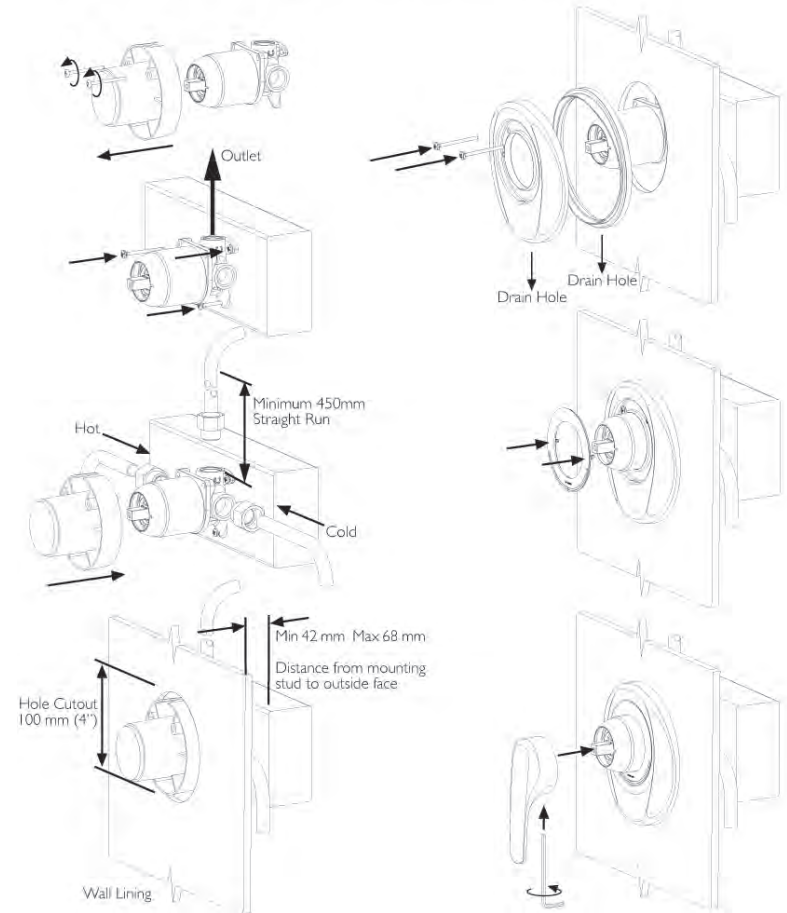
Inlet Connections: All 1/2" BSP

Operating Pressure: Min: 35kPa, Max 1000kPa. Recommended 150 - 500kPa. Install a NEFA PLV if supply exceeds 500kPa.

Operating Temperatures: Recommended hot water supply 50°C, maximum 70°C. AS 3500 requires all hot water supplies to any sanitary fitting to be tempered to 50°C.



For Mains Pressure (Equal Pressure) systems fit shower as supplied. Red & Blue jets not required.



'In situ' Testing

The maximum working pressure of the ceramic cartridge is 1000kPa. Do not hydrostatic test the installation with this mixer installed. Damage to the ceramic cartridge may occur, voiding our warranty.

We recommend that this product is installed by a licensed plumber.

THE METHVEN GUARANTEE

The warranty statement shall apply to all tapware & showers supplied by Methven
For more information visit www.methven.com

THIS WARRANTY ISSUED BY: Methven Australia Pty Ltd, Melbourne Australia