

OVALO SINK MIXER

Installation Guide

Technical Specifications:

Operating Pressure:

Min: 150kPa/1.5bar

Max: 500kPa/5bar*

Optimum: 150kPa/1.5bar - 500kPa/5bar

Operating Temperature:

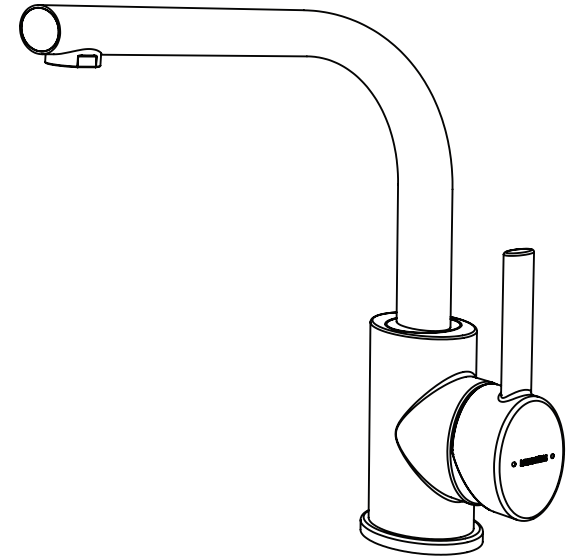
Hot: Max 80°C*

Cold: Min 5°C

Inlet Connections:

All ½" BSP

** Regional specific regulations apply.
Please refer to your warranty statement
at www.methven.com*



Methven warrants this product against manufacturing defects and that it is suitable for use under the general operating conditions specified in this instruction sheet. However, regional regulations apply and may affect your warranty. Please refer to www.methven.com or call customer service for full details.

New Zealand
0800 804 222

Australia
1300 638 483

UK
0800 195 1602

MA010301A

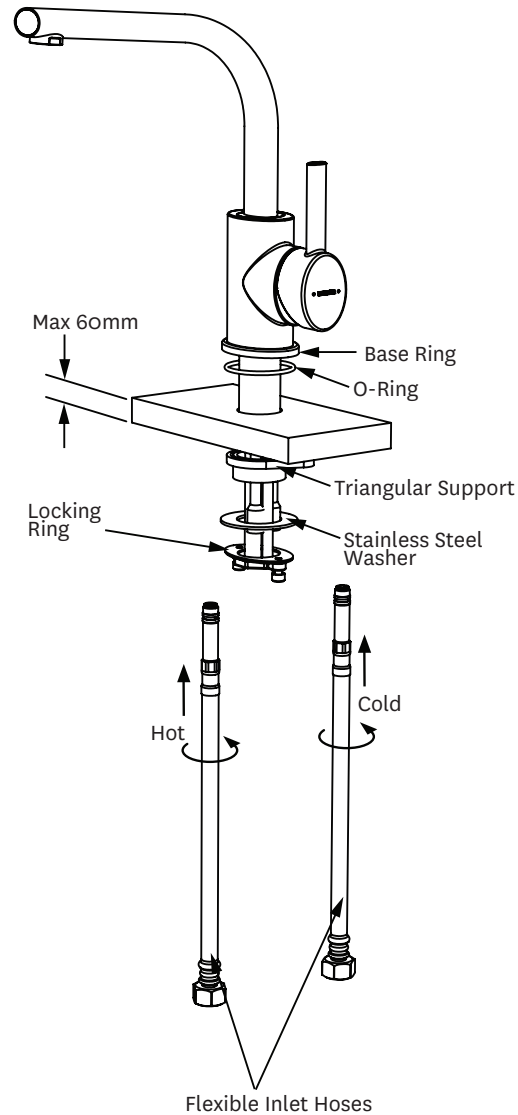
ISSUE B

METHVEN
www.methven.com

IMPORTANT: Please read all of the instructions before installation.

General:

- Methven recommends this product is installed by a licensed plumber in compliance with all relevant regional regulations.
- Do not hydrostatic test the installation with this mixer installed. Damage to the ceramic cartridge may occur.
- All pipe work must be thoroughly flushed prior to the installation of the mixer.
- In-line filters must be fitted on both hot and cold supplies to prevent foreign particles damaging the ceramic cartridge.
- Do not remove the ceramic cartridge from the mixer when installing.
- After installation all connections must be checked for leaks.
- All outlets used primarily for personal hygiene shall deliver water at a safe temperature as per regional regulations.
- This mixer is not recommended for use in uncontrolled heating systems such as wet-backs or solar heating units unless a suitable tempering valve is fitted.
- If limited water flow is experienced, locate aerator and filter washers and clean away foreign material as required.
- It is the responsibility of the installer to ensure a waterproof seal is achieved between the product and mounting surface. If in doubt about the quality of the seal, remove the product and reinstall using silicone to ensure a seal is achieved.



Care and Cleaning:

- Never use abrasives or abrasive cleaning agents to clean this product. Clean regularly with contamination free warm soapy water and a damp soft cloth.

IMPORTANT: Before you begin, turn-off the water supply. It is recommended to fit isolation valves to both the hot and cold supply.

Installation:

1. Ensure hole size in mounting surface is between 35mm and 45mm in diameter.
2. Surface thickness must be less than or equal to 60mm.
3. Connect the hot flexible supply hose onto correct hose tail on mixer.
4. Take the chrome base ring and O-ring slide over tubes and hoses on the mixer.
5. Guide all connected hoses through the hole from the top of the mounting surface and locate base ring and O-ring correctly around hole to ensure a seal.
6. Slide Stainless steel washer and locking ring over tubes and hoses and screw locking nut onto thread base tube. A triangular support is supplied for use on thinner mounting surfaces such as stainless steel sink units.
7. Ensure mixer is in the desired position with the base ring and O-ring completely covering the hole (use silicone sealant if necessary to ensure a water-tight seal) and hand-tighten the locking ring up to the underside of the mounting surface. Once hand tight use a screwdriver to tighten the locking screws against the stainless steel washer.
8. Connect the cold flexible supply hose onto the cold hose tail on the mixer.
9. Ensure filter washers are in place in the ends of the flexible supply hoses and connect to the supply observing the correct orientation for hot and cold.
10. Turn on the water supply and check carefully for leaks. Retighten joints if necessary.

