

R5

C L △ R K

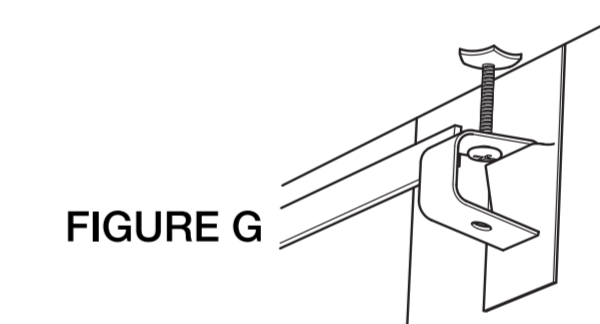
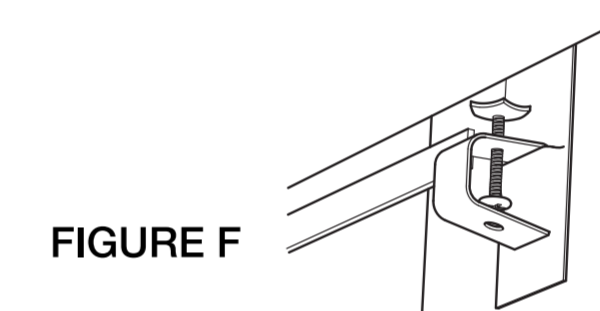
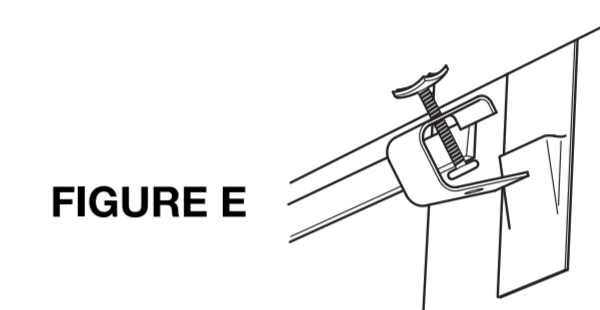
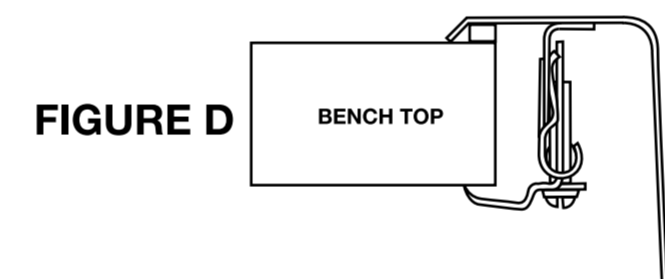
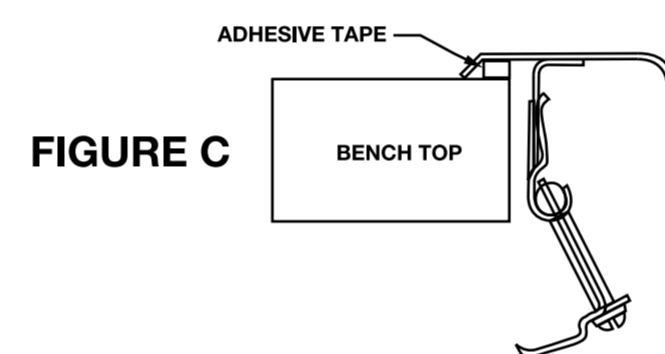
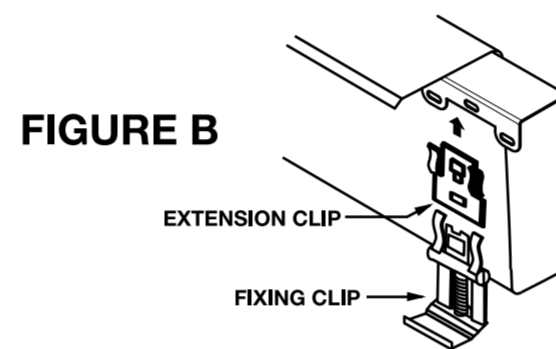
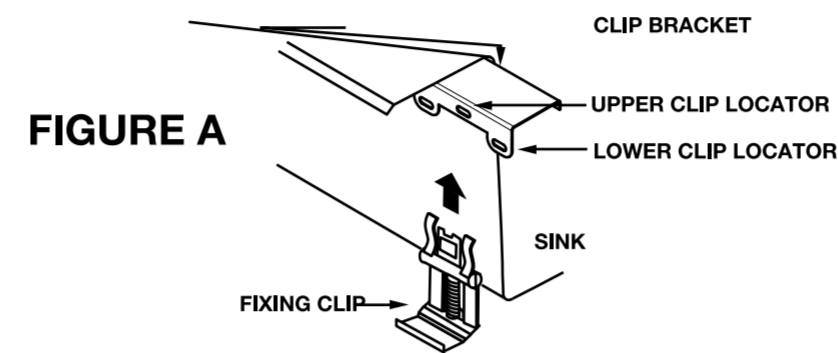
Square Flushline 45L Laundry Tub

INSTALLATION INSTRUCTION FOR OVERMOUNT SINK

1. Inspect tub for damage and dimensional compatibility. Do not attempt to install a damaged sink.
2. Using the cut-out template mark the exact location of the required cut-out in the benchtop and draw a pencil line against the edge of the template.
3. Ensure that the tap location is suitable. Ensure that the supplied cut-out gives the desired fit.
4. Before commencing cutting, double check the marked cut-out dimensions. Cut out the bench top carefully following the inside edge of the marked line. An exact cut is required to obtain the best fit.
5. When complete, apply the sealing tape to the edge of the cut-out to allow it to seal evenly around the edge of the hole.
6. Lightly hammer the fixing clips onto the clip brackets along the **rear** clip rails. For standard benchtops, use the upper clip locator. For thicker benchtops, the lower clip locator should be used.
(If the thickness of the bench top exceeds the range of the supplied fixing clip then extension clips can be purchased and mounted onto the clip brackets. See Figure B)
7. Install the waste assembly and the tap. It is suggested that silicone sealant be applied between the waste grate and the sink outlet hole.
8. Position the sink in the cut-out hole and align properly. The fixing clips can be bent out of the way to assist installation (see Figure C).
9. Bend the fixing clips straight so that the legs clear the hinge area. Tighten the clips evenly using a low torque setting (see Figure D). Note: over tightening the clip may strip the thread.
10. For the front and sides of the sink, the hook style clips are to be used. The fixing clips are to be attached to the tabs on the sides of the bowl as shown in Figures E, F and G. Check that sealing tape will seal evenly around the edge of the hole. Tighten the clips evenly using a low torque setting.
11. Plumb up the tap and waste fittings.

NOTE: For thin bench tops special clips (A0167) are available.

GWA Bathrooms & Kitchens bears no responsibility for faulty installation and the effects thereof.



480 BENCH CUTOUT

CUTOUT TEMPLATE DIMENSIONS
560mm x 480mm
Corner Radius: 5mm

560 BENCH CUTOUT