



Revision: 4

Date: July 2019

Supersedes all previous issues

Vivas

Acrylic Bath

Nominal Sizes: 1525mm x 760mm x 437mm
1675mm x 760mm x 437mm



Acrylic Bath

Nominal Sizes:

1525mm x 760mm x 437mm

1675mm x 760mm x 437mm



The Vivas bath, a simple design with a contemporary twist; a gently reclining end so you can relax in style. Complete with four tile flange for built-in installation.

1525mm long x 760mm wide x 437mm deep – standard Code No.V15W

1675mm long x 760mm wide x 437mm deep – standard Code No.V17W

Durability: Sanitaryware grade acrylic resists chipping, will not rust and has excellent heat retention properties. Its high gloss finish has natural slip resistance. Minor scratch marks can be removed with gentle metal polishes, such as Brasso.

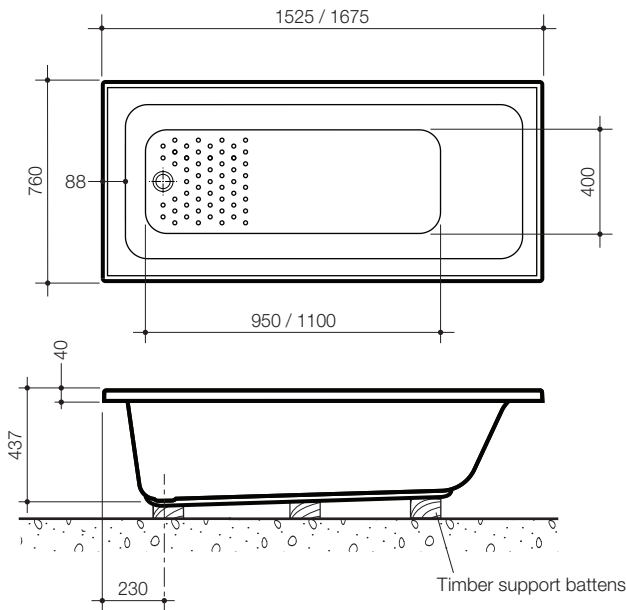
Waste Outlet: The reinforced waste outlet is suitable for 40mm diameter standard waste assembly.

Bath Capacity: Vivas 1525 - 255 litres; Vivas 1675 - 270 litres

Installation: The bath is suitable to be installed for both built in and island installations. The bath is supported around its rim and the base is supported with timber base supports. *Refer to Sheet 9.01.1 for further installation information.*

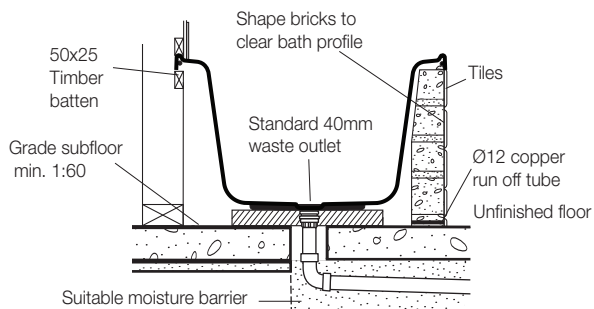
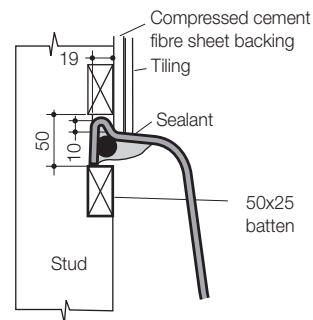
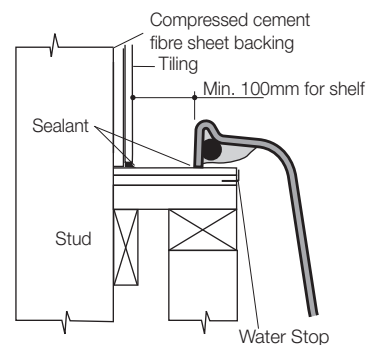
Colours: White only.

Dimensions: All dimensions are in millimetres and are subject to normal manufacturing variations. Caroma pursues a policy of continuing improvement in design and performance of its products. The right is therefore reserved to vary specifications without notice.



IMPORTANT: Local Authorities have varying installation requirements, check with Authority or your Caroma representative for further details.

On the indicator lines, position and fix timber supports to base of the bath and floor with an approved floor and wall panelling adhesive or equivalent adhesive to provide a neat fit support. Ensure the rim of the bath is levelled during this procedure.


BUILT-IN INSTALLATION

ISLAND INSTALLATION


*** IMPORTANT:**
Refer to Local Authority for minimum setout from wall

TIMBER SUPPORT ALTERNATIVE

Bond inner face of bath to timber frame as detailed with approved floor and wall panelling adhesive

