

# Caroma®

CI/SfB	(74.8)	n6
Date	January 2016	

Supersedes all previous issues

## Newbury Island Plus

# 9.11.3

### Acrylic Bath

Nominal Sizes: 1675mm x 760mm x 456mm  
1800mm x 850mm x 468mm



# Caroma®

## Newbury Island Plus

### Acrylic Bath

Nominal Sizes:

1675mm x 760mm x 456mm

1800mm x 850mm x 468mm



Enjoy an even more luxurious soak with a bath designed for two. Comfortable reclined ends and a centre waste make the Newbury Island Plus a perfect two person bath for a relaxing soak.

Bath also available as spa baths in Immerse, Revive, Energize and Body Therapy configurations.

1675mm long x 760mm wide x 456mm deep - Standard Code No.NC7

1800mm long x 850mm wide x 468mm deep - Standard Code No.NW8

**Durability:** Sanitaryware grade acrylic resists chipping, will not rust and has excellent heat retention properties. Its high gloss finish has natural slip resistance. Minor scratch marks can be removed with gentle metal polishes, such as Brasso.

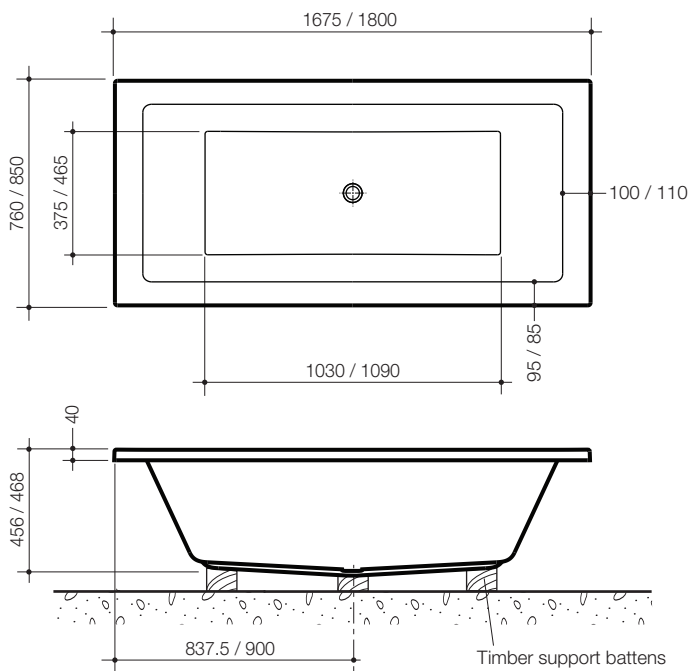
**Waste Outlet:** Waste outlet is suitable for 40mm diameter standard waste assembly.

**Bath Capacity:** Newbury 1675 Island Plus - 255 litres; Newbury 1800 Island Plus - 350 litres.

**Installation:** The bath is suitable for island installations. The bath is supported around its rim and the base is supported with timber base supports. *Refer to installation instructions for further information.*

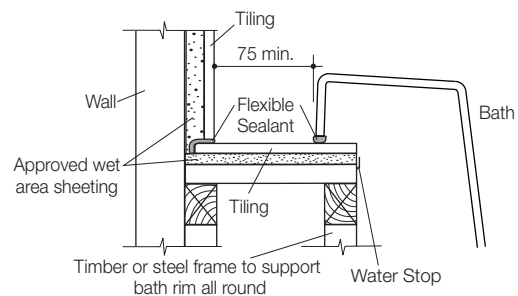
**Colours:** White only.

**Dimensions:** All dimensions are in millimetres and are subject to normal manufacturing variations. Caroma pursues a policy of continuing improvement in design and performance of its products. The right is therefore reserved to vary specifications without notice.



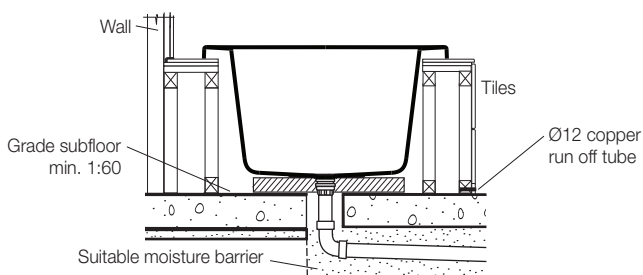
On the indicator lines, position and fix timber supports to base of the bath and floor with an approved floor and wall panelling adhesive or equivalent adhesive to provide a neat fit support. Ensure the rim of the bath is levelled during this procedure.

#### Island Installation for Hob Mounted Bath



**\* IMPORTANT:**

Refer to Local Authority for minimum setout from wall.



**IMPORTANT: Local Authorities have varying installation requirements, check with Authority or your Caroma representative for further details.**