

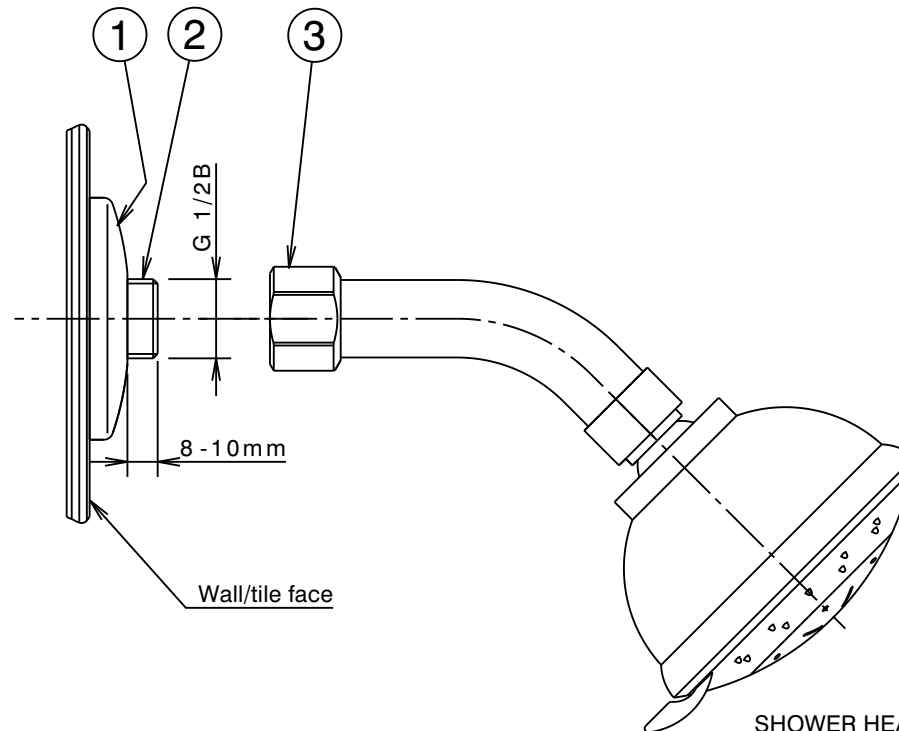
PLUMBERS INSTALLATION INSTRUCTIONS

Important Information

- * The shower arm is fitted with a flow regulator.
- * Not suitable for gravity feed systems.
- * The flow of water to the shower is regulated.
This lower flow rate may not be suitable for connection to some gravity fed Water Heaters, low pressure supply networks, Instantaneous Water Heaters, Tempering Valves, Solar Water Heaters & Thermostatic Mixing Valves. Check with the manufacturers of these products.
- * All pipework must be thoroughly flushed prior to installation, as foreign materials may block the flow regulating device and reduce the flow of water.
- * Turn off hot and cold water supplies before installation.

Installation

- 1) Check that threaded nipple (2) is the correct length, as shown. Cut to length if required ensuring end face is square. Apply thread tape to the thread.
Important : Care must be taken that thread tape cannot become dislodged and block the flow regulating device, causing a reduction in water flow.
- 2) Place the cover plate (1) over the threaded nipple (2). Screw the inlet socket (3) onto the threaded nipple (2) and position shower as required. DO NOT OVERTIGHTEN.



SHOWER HEAD - THREE FUNCTIONS

- NORMAL SPRAY. (Outer)
- COMBINATION SPRAY. (Outer + Inner)
- MASSAGE SPRAY. (Inner)

IMPORTANT

Pressure & Temperature Requirements.

- Hot and cold water inlet pressures should be equal.
- Static Inlet pressure range : 150 -1000 kPa
New Regulation:- 500 kPa maximum static pressure at any outlet within a building. (Ref. AS/NZS 3500.1)
- Maximum hot water temperature : 80°C.