

| A      | B      | C      | D      |
|--------|--------|--------|--------|
| 380 mm | 350 mm | 225 mm | 320 mm |

**GENERAL INFO**

**DESIGNED FOR MAINS WATER**

**Reverse Osmosis Drinking Water System**

When only the purest water will do, conveniently on tap. The latest in Reverse Osmosis, a filtration process for high purity water. The ultra-fine membrane operates by rejecting impurities and flushing them out to drain.

This system effectively eliminates 98% of all dissolved impurities, heavy metals, salts, viruses, bacteria, cysts, fluoride, nitrate, chlorine, taste, odour, and chemicals. Only pure, sparkling clear water from your own water supply is left for your health, safety and peace of mind.

**SPECIFICATIONS**

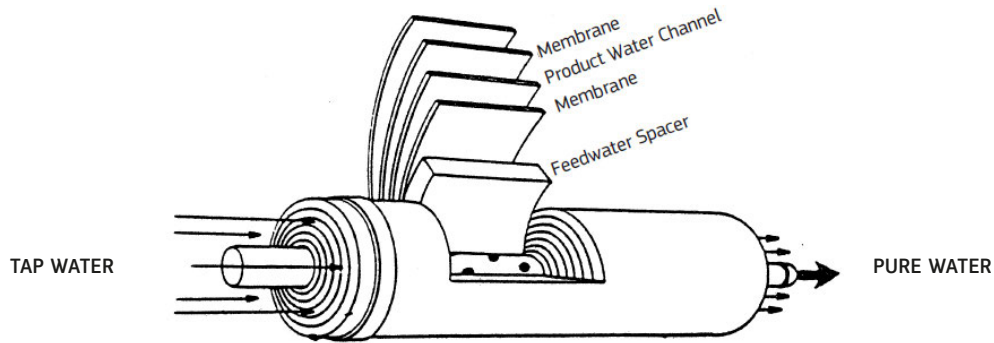
|                             |                              |
|-----------------------------|------------------------------|
| <b>MODEL:</b>               | <b>R0270</b>                 |
| Maximum Flow:               | <b>270 litres per day</b>    |
| Cartridges                  |                              |
| Stage 1 filtration          | <b>MC051</b>                 |
| Stage 2 filtration          | <b>CB951</b>                 |
| Stage 3 filtration          | <b>RET1812-75</b>            |
| Min/Max Temperature:        | <b>0 - 30°C</b>              |
| Min/Max Pressure:           | <b>300 - 875 kPa</b>         |
| Maximum Inlet TDS:          | <b>2,000 mg/L</b>            |
| Maximum Hardness:           | <b>171 mg/L - (10 grain)</b> |
| Maximum Silt Density Index: | <b>5</b>                     |
| Connection:                 | <b>½" compression tee</b>    |
| Required hole for the tap:  | <b>13 mm diameter</b>        |
| Warranty:                   | <b>3 years^</b>              |

**FEATURES & BENEFITS**

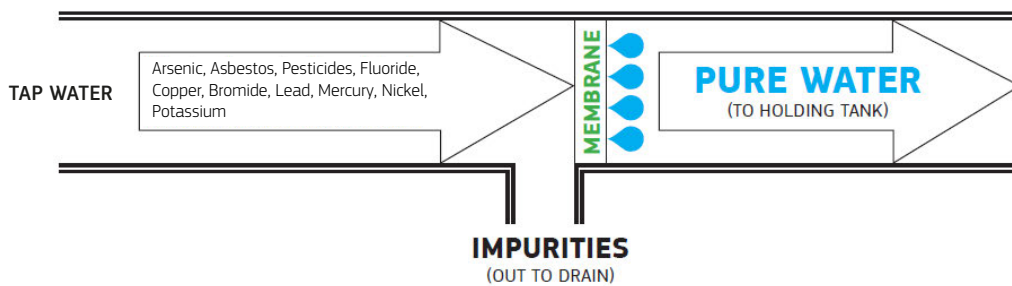
- 0.0005 micron rating for 98% removal of impurities.
- Fluoride & Nitrate removal.
- No bacteria build-up through integrated flushing.
- Improves taste, odour and appearance. Pure, safe water at your fingertips.
- Simple installation kit including holding tank.
- ¼" turn ceramic disc faucet with LED reminder light.
- Most advanced and most highly effective purification process.
- Very convenient and no power required.
- Has minimum care and servicing.
- Low production costs, gives you water of a guaranteed quality for less than 2 cents per litre per day.

*Important Note: Use only genuine Puretec replacement cartridge. ^3 year warranty iss 1 year parts & labour, plus 2 years parts only.*

**R0270 REVERSE OSMOSIS FILTRATION TECHNOLOGY**

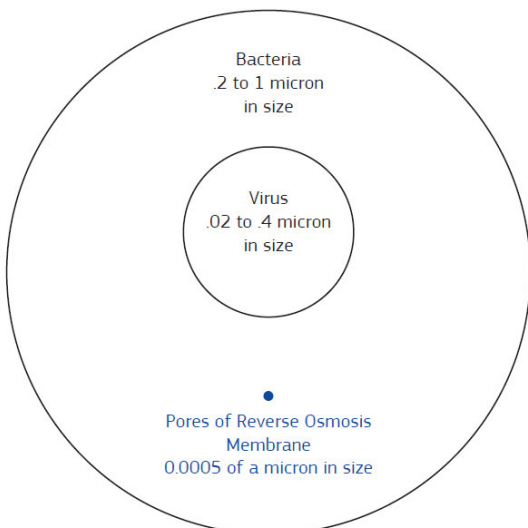


Polluted water is forced by mains water pressure against a semi-permeable membrane. Purified water molecules easily pass through the membrane while pollutants, typically being larger than the pores, cannot pass through and are washed away.

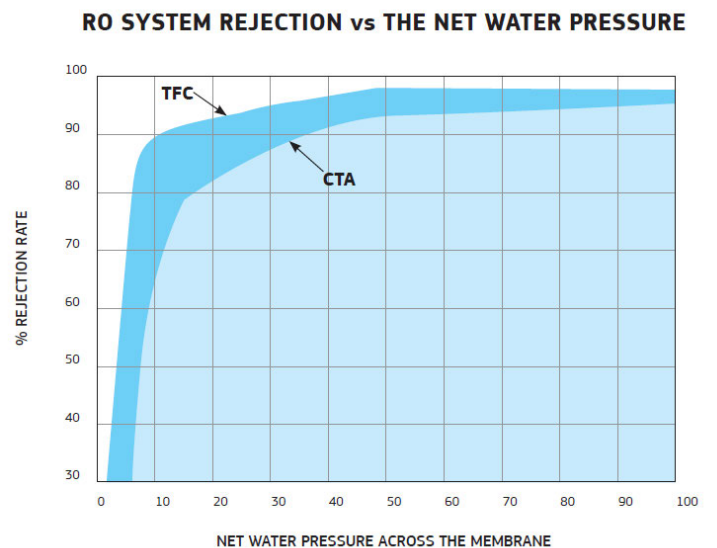


**BACTERIA VS VIRUS SIZE COMPARISON**

Comparative sizes of the bacteria & virus to the typical ro membrane pores



**RO SYSTEM REJECTION VS THE NET WATER PRESSURE**



**REJECTION RATES FOR MEMBRANES**

Below are typical average rejection rates for the Thin Film membrane. All results are averaged from tests performed on water at 60 psig and 77°F.  
 NOTE: TF membranes should not be exposed to oxidizers such as chlorine.

**CATION REJECTION RATES**

| NAME                | SYMBOL                                 | PERCENT REJECTION |
|---------------------|--|-------------------|
| Aluminum            | Al <sup>+3</sup>                       | 80 - 92           |
| Ammonium            | NH <sub>4</sub> <sup>+1</sup>          | 94 - 98           |
| Barium              | Ba <sup>+2</sup>                       | 96 - 98           |
| Cadmium             | Cd <sup>+2</sup>                       | 87 - 94           |
| Calcium             | Ca <sup>+2</sup>                       | 95 - 98           |
| Trivalent Chromium  | Cr <sup>+2</sup>                       | 95 - 97           |
| Hexavalent Chromium | Cr <sup>+5</sup>                       | 96 - 98           |
| Copper              | Cu <sup>+2</sup>                       | 86 - 92           |
| Total Hardness      | Cat <sup>+2</sup> and Mg <sup>+2</sup> | 98 - 99           |
| Ferrous Iron        | Fe <sup>+2</sup>                       | 98 - 99           |
| Lead                | Pb <sup>+2</sup>                       | 98 - 99           |
| Manganese           | Mn <sup>+2</sup>                       | 96 - 99           |
| Magnesium           | Mg <sup>+2</sup>                       | 94 - 98           |
| Mercury             | Hg <sup>+2</sup>                       | 96 - 98           |
| Nickel              | Ni <sup>+2</sup>                       | 93 - 96           |
| Potassium           | K <sup>+1</sup>                        | 96 - 98           |
| Silver              | Ag <sup>+1</sup>                       | 96 - 98           |
| Sodium              | Na <sup>+1</sup>                       | 96 - 98           |
| Strontium           | Sr <sup>+2</sup>                       | 96 - 98           |
| Zinc                | Zn <sup>+2</sup>                       | 98 - 99           |

**ANION REJECTION RATES**

| NAME         | SYMBOL  | PERCENT REJECTION |
|--------------|---|-------------------|
| Arsenate     | AsO <sub>4</sub> <sup>-3</sup>                                | 80 - 95           |
| Arsenite     | AsO <sub>2</sub> <sup>-1</sup>                                | 60 - 70           |
| Bicarbonate  | HCO <sub>3</sub> <sup>-1</sup>                                | 90 - 96           |
| Borate       | B <sub>4</sub> O <sub>5</sub> (OH) <sub>4</sub> <sup>-2</sup> | 30 - 70*          |
| Bromide      | Br <sup>-1</sup>  | 94 - 96           |
| Chloride     | Cl <sup>-1</sup>  | 90 - 95           |
| Chromate     | CrO <sup>-2</sup>   | 90 - 98           |
| Cyanide      | CN <sup>-1</sup>  | 90 - 95*          |
| Ferrocyanide | Fe(CN) <sub>6</sub> <sup>-4</sup>                             | 99+               |
| Fluoride     | F <sup>-1</sup>   | 90 - 96           |
| Nitrate      | NO <sub>3</sub> <sup>-1</sup>                                 | 60 - 90*          |
| Phosphate    | PO <sub>4</sub> <sup>-3</sup>                                 | 99+               |
| Selenate     | SeO <sub>4</sub> <sup>-2</sup>                                | 94 - 97           |
| Selenite     | SeO <sub>3</sub> <sup>-2</sup>                                | 94 - 97           |
| Silicate     | SiO <sub>4</sub> <sup>-4</sup>                                | 95 - 97           |
| Sulfate      | SO <sub>4</sub> <sup>-2</sup>                                 | 99+               |
| Sulfite      | SO <sub>3</sub> <sup>-2</sup>                                 | 98 - 99           |
| Thiosulfate  | S <sub>2</sub> O <sub>3</sub> <sup>-2</sup>                   | 99+               |

**ORGANIC REJECTION RATES**

| NAME               | PERCENT REJECTION |
|--------------------|-------------------|
| Acetic Acid        | 50                |
| Asbestos           | 99.9              |
| Bacteria & Virus   | 99.9+             |
| Cyst & Turbidity   | 99.9              |
| Detergents         | 99                |
| Dyes               | 99.9              |
| Formaldehyde       | 20                |
| Glucose            | 99.9              |
| Lactose Sugar      | 99.9              |
| Organic Pesticides | 99                |
| Phenol             | 50                |
| Protein            | 99.9              |
| Pyrogen            | 99.9              |
| Sucrose Sugar      | 99.9              |
| Urea               | 40 - 60           |

\*Bacteria growth through the membrane may occur in time. Organics are also reduced at a comparable rate by carbon adsorption.

**LIMITATIONS FOR TF MEMBRANES**

|                       |  |
|-----------------------|--|
| TDS ppm maximum level | 2000   |
| pH Range              | 3 - 11   |
| Pressure Range        | 35 psi - 1 00 psi                              |
| Water Supply          | 0-1 0 gpg hardness<br>0-0.05 ppm iron<br>5 NTU |
| Temperature Range     | 0°C - 38°C                                     |
| Urea                  | 40 - 60  |

NOTE: Recommended hardness for extended product life is zero gpg hardness and zero ppm iron.