
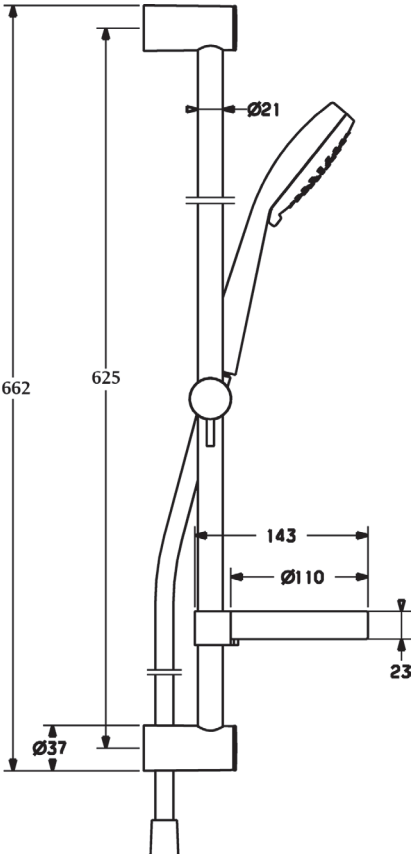






HANSA VIVA TRIO 100/600 SHOWER RAIL SET

Product Image	Technical Specification
	

Description
<p>HansaViva Trio 100/600 Shower Rail Set 3 Function Handpiece WELS 3 Star / 9Lpm</p> <p>441601300037</p>

Additional Information
<ul style="list-style-type: none"> - 15 year Warranty* Conditions Apply - German Engineered - Cool Touch - Limescale protection technology - Includes soap dish - Shower hose 1750mm length <div data-bbox="890 1742 1066 1921">  </div> <div data-bbox="1359 1688 1503 1921">  </div>

