



# PHOENIX

## SPECIFICATIONS

### VIVID SLIMLINE

### WALL TOP ASSEMBLIES 15MM EXTENDED SPINDLES

PRODUCT CODE:	VS067 GM
FINISH:	GUN METAL
WELS:	N/A

#### INFORMATION:

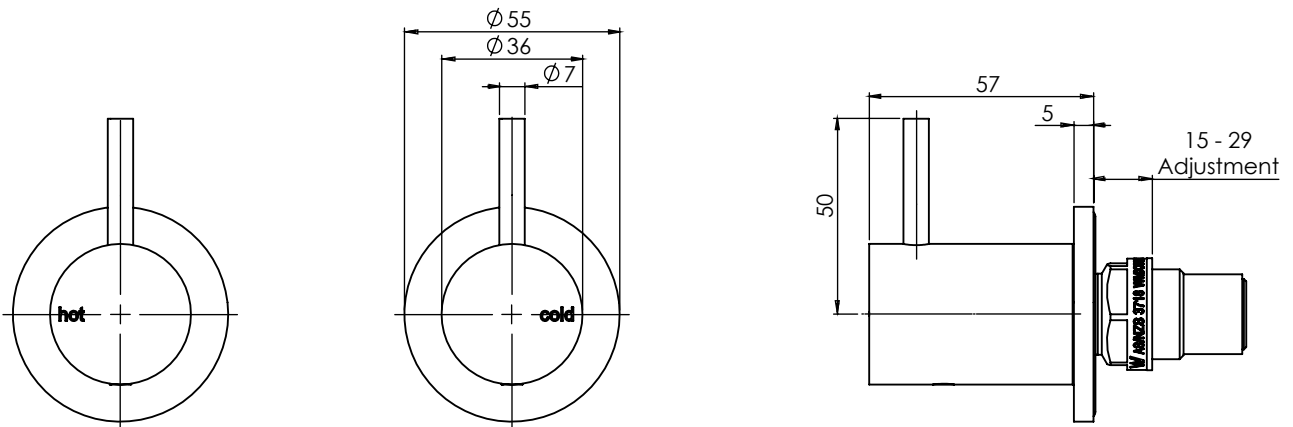
MATERIAL:	BRASS
TEMPERATURE RATING:	MIN 1° - MAX 75°
PRESSURE RATING:	MIN 150 kPa - MAX 500 kPa



AVAILABLE IN:



FOR MORE INFORMATION VISIT  
[www.phoenixtapware.com.au](http://www.phoenixtapware.com.au)



PLEASE [CLICK HERE TO VIEW FULL WARRANTY](#)

While we aim to ensure the specifications shown are correct at time of printing, Phoenix Tapware reserves the right to make modifications without prior notice. Always use the physical product measurements for mark-ups and roughing-in as the line drawing shown may differ from the actual product over time. All measurements are shown in millimetres.

[www.phoenixtapware.com.au](http://www.phoenixtapware.com.au)  
03 9780 4200



# PHOENIX

## SPECIFICATIONS

### VIVID SLIMLINE

### WALL TOP ASSEMBLIES 15MM EXTENDED SPINDLES

PRODUCT CODE:

VS067 GM

FINISH:

GUN METAL

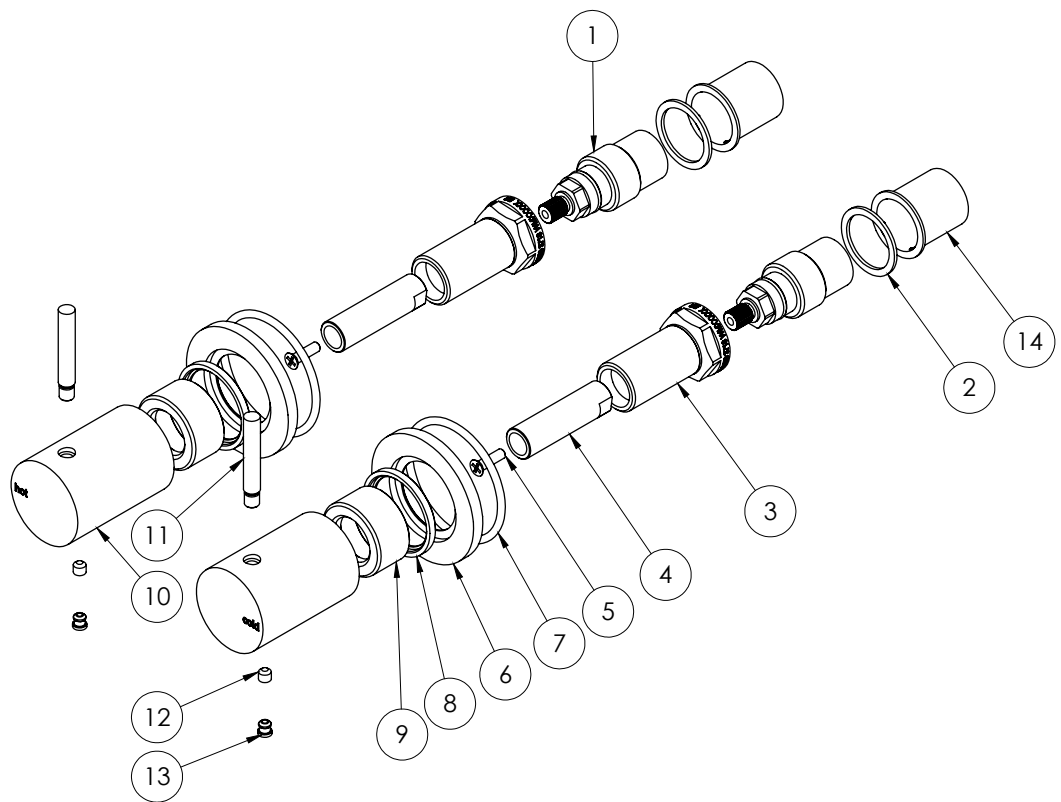
WELS:

N/A



#### PARTS LIST

1. CERAMIC 57MM CARTRIDGE
2. FIBRE WASHER
3. 48MM BONNET
4. CARTRIDGE EXTENSION
5. COUNTERSUNK SCREW
6. DRESS PLATE
7. O-RING 47X3.0MM
8. WASHER
9. MIXER LOCKNUT
10. MIXER HANDLE
11. PIN LEVER
12. GRUB SCREW
13. RUBBER SCREW CAP
14. CERAMIC CARTRIDGE COVER



#### MAINTENANCE AND CARE:

- All surfaces should be cleaned with mild liquid detergent or soap and water.
- Do not use cream cleaners or citrus based cleaning products, as they are abrasive.
- Use of unsuitable cleaning agents may damage the surface. Any damage caused in this way will not be covered by warranty.

#### PACKAGING INCLUDES

- 1 x Wall top assemblies
- 2 x Dress plates
- 1 x Installation kit
- 1 x Installation instructions
- 1 x Warranty card

PLEASE [CLICK HERE](#) TO VIEW FULL WARRANTY

While we aim to ensure the specifications shown are correct at time of printing, Phoenix Tapware reserves the right to make modifications without prior notice. Always use the physical product measurements for mark-ups and roughing-in as the line drawing shown may differ from the actual product over time. All measurements are shown in millimetres.

[www.phoenixtapware.com.au](http://www.phoenixtapware.com.au)  
03 9780 4200