



PHOENIX

SPECIFICATIONS

RHAPSODY LEVER

BATH SET

PRODUCT CODE:	RL200 CHR
FINISH:	CHROME
WELS:	N/A

INFORMATION:

TEMPERATURE RATING:	MIN 1° - MAX 75°
PRESSURE RATING:	MIN 150 kPa - MAX 500 kPa

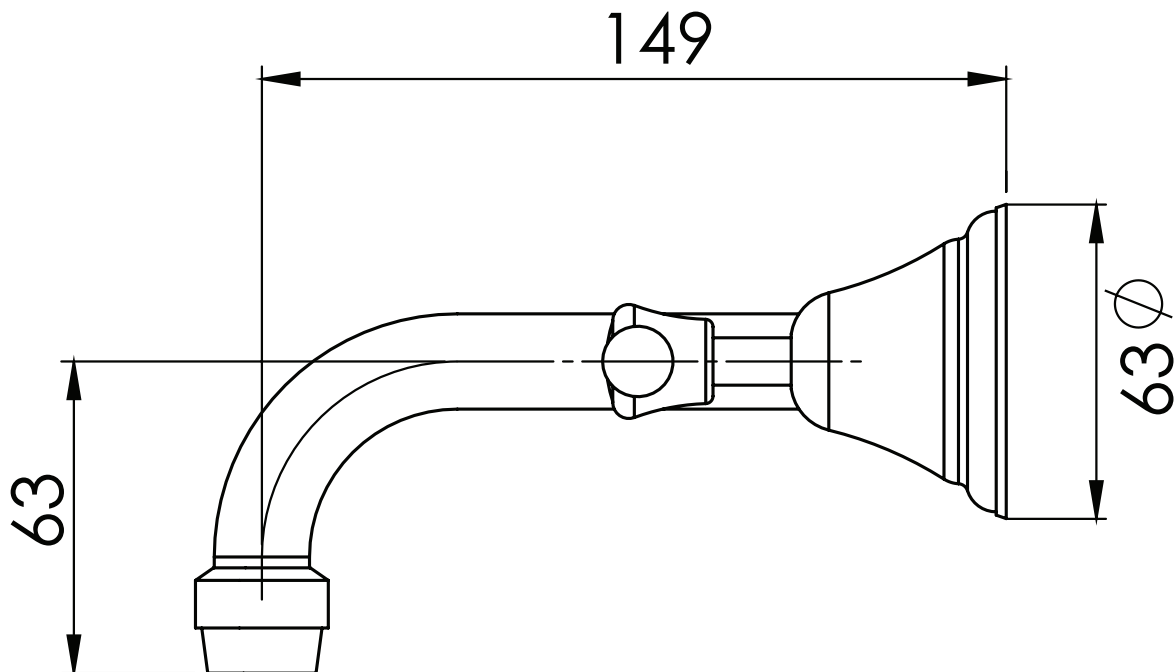


AVAILABLE IN:



CHROME

FOR MORE INFORMATION VISIT
www.phoenixtapware.com.au



PLEASE [CLICK HERE](#) TO VIEW FULL WARRANTY

While we aim to ensure the specifications shown are correct at time of printing, Phoenix Tapware reserves the right to make modifications without prior notice. Always use the physical product measurements for mark-ups and roughing-in as the line drawing shown may differ from the actual product over time. All measurements are shown in millimetres.

Designed and Registered in Australia by Phoenix Industries Pty. Ltd

V180917

www.phoenixtapware.com.au
03 9780 4200



PHOENIX

SPECIFICATIONS

RHAPSODY LEVER

BATH SET

PRODUCT CODE:

RL200 CHR

FINISH:

CHROME

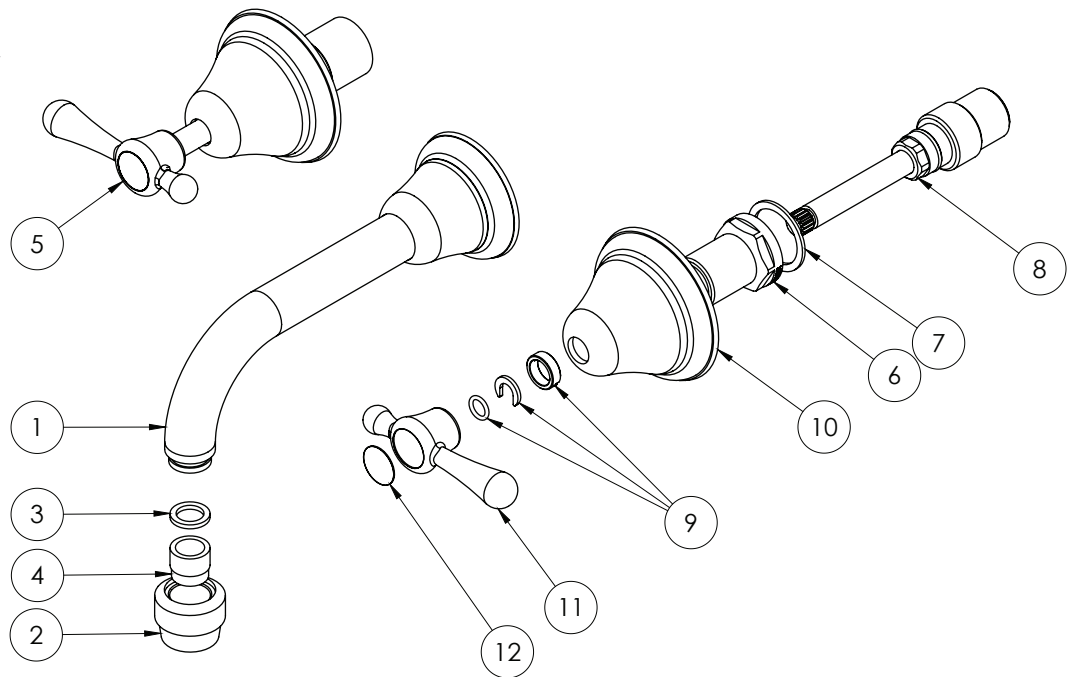
WELS:

N/A



PARTS LIST

1. OUTLET
2. AERATOR RETAINER
3. GASKET
4. AERATOR
5. WALL TAP
6. BONNET
7. FIBER WASHER
8. SPINDLE
9. ANTI-VANDAL KIT
10. TAP FLANGE
11. LEVER HANDLE
12. HOT-COLD DISC



MAINTENANCE AND CARE:

- All surfaces should be cleaned with mild liquid detergent or soap and water.
- Do not use cream cleaners or citrus based cleaning products, as they are abrasive.
- Use of unsuitable cleaning agents may damage the surface. Any damage caused in this way will not be covered by warranty.

PACKAGING INCLUDES

- 1 x Wall outlet
- 2 x Wall taps
- 1 x Installation kit
- 1 x Installation instructions
- 1 x Warranty card

PLEASE [CLICK HERE](#) TO VIEW FULL WARRANTY

While we aim to ensure the specifications shown are correct at time of printing, Phoenix Tapware reserves the right to make modifications without prior notice. Always use the physical product measurements for mark-ups and roughing-in as the line drawing shown may differ from the actual product over time. All measurements are shown in millimetres.

Designed and Registered in Australia by Phoenix Industries Pty. Ltd

V180917

www.phoenixtapware.com.au
03 9780 4200