



PHOENIX

SPECIFICATIONS

RHAPSODY

LEVER BASIN SET

PRODUCT CODE: RL100 CHR
 FINISH: CHROME
 WELS: 5 STAR - 6.0 LT/MIN

INFORMATION:

TEMPERATURE RATING: MIN 1° - MAX 75°
 PRESSURE RATING: MIN 150 kPa - MAX 500 kPa

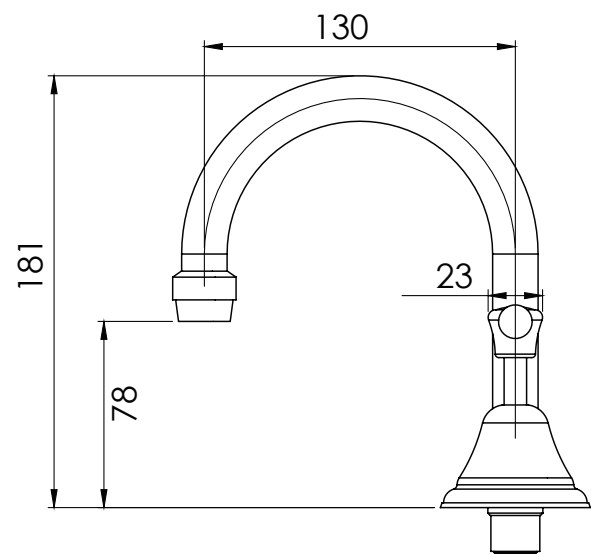
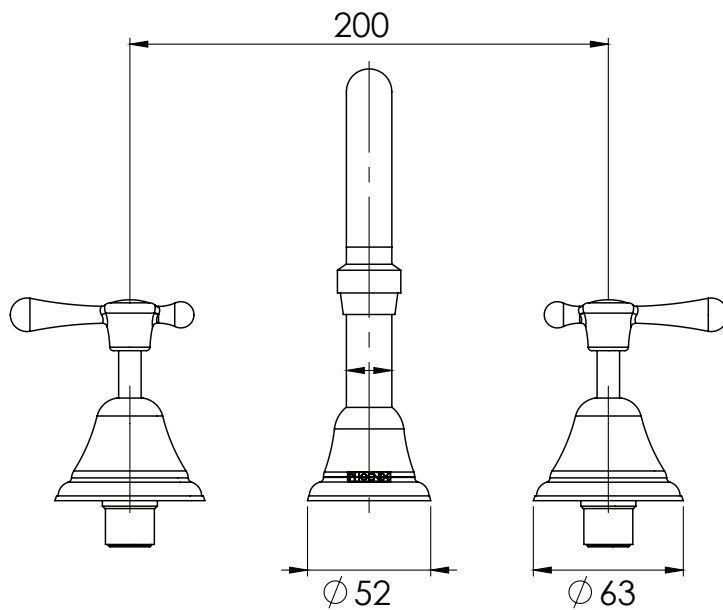


AVAILABLE IN:



CHROME

FOR MORE INFORMATION VISIT
www.phoenixtapware.com.au



PLEASE [CLICK HERE TO VIEW FULL WARRANTY](#)

While we aim to ensure the specifications shown are correct at time of printing, Phoenix Tapware reserves the right to make modifications without prior notice. Always use the physical product measurements for mark-ups and roughing-in as the line drawing shown may differ from the actual product over time. All measurements are shown in millimetres.

www.phoenixtapware.com.au
03 9780 4200



PHOENIX

SPECIFICATIONS

RHAPSODY

LEVER BASIN SET

PRODUCT CODE:

RL100 CHR

FINISH:

CHROME

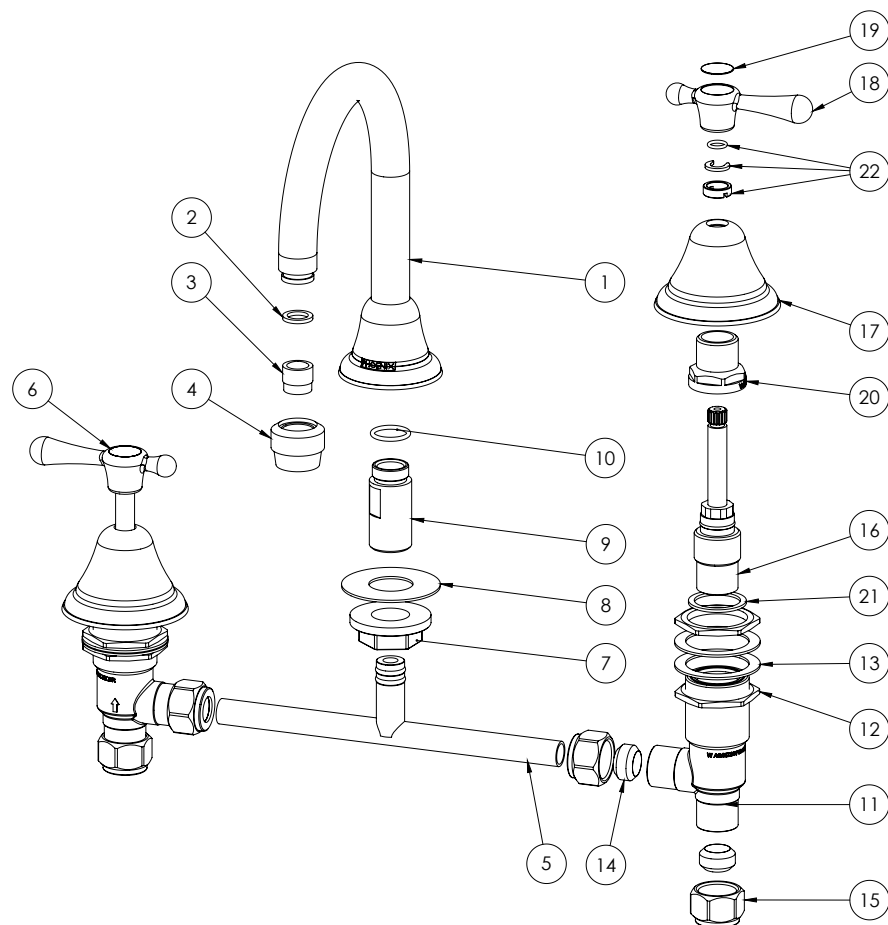
WELS:

5 STAR - 6.0 LT/MIN



PARTS LIST

1. SPOUT
2. GASKET
3. AERATOR
4. AERATOR RETAINER
5. T-PIECE
6. TAP
7. LOCKNUT PLASTIC
8. NYLON WASHER
9. OUTLET TAIL
10. O-RING 16X2.0MM
11. TAP BODY
12. BASIN NUT
13. BODY WASHER
14. CONNECTOR
15. T-PIECE LOCKNUT
16. 94MM CARTRIDGE
17. TAP FLANGE
18. LEVER HANDLE
19. HOT-COLD DISC
20. BONNET
21. FIBER WASHER
22. ANTI-VANDAL HANDLE KIT



MAINTENANCE AND CARE:

- All surfaces should be cleaned with mild liquid detergent or soap and water.
- Do not use cream cleaners or citrus based cleaning products, as they are abrasive.
- Use of unsuitable cleaning agents may damage the surface. Any damage caused in this way will not be covered by warranty.

PACKAGING INCLUDES

- 1 x Basin outlet
- 1 x Basin tap cold
- 1 x Basin tap hot
- 1 x T-piece
- 1 x Installation kit
- 1 x Installation instructions
- 1 x Warranty card

[PLEASE CLICK HERE TO VIEW FULL WARRANTY](#)

While we aim to ensure the specifications shown are correct at time of printing, Phoenix Tapware reserves the right to make modifications without prior notice. Always use the physical product measurements for mark-ups and roughing-in as the line drawing shown may differ from the actual product over time. All measurements are shown in millimetres.

www.phoenixtapware.com.au
03 9780 4200