



PHOENIX

SPECIFICATIONS

RADII

WALL SINK OUTLET 300MM SQUARELINE

PRODUCT CODE: RA073 CHR
 FINISH: CHROME
 WELS: 3 STAR - 8.0 LT/MIN

INFORMATION:

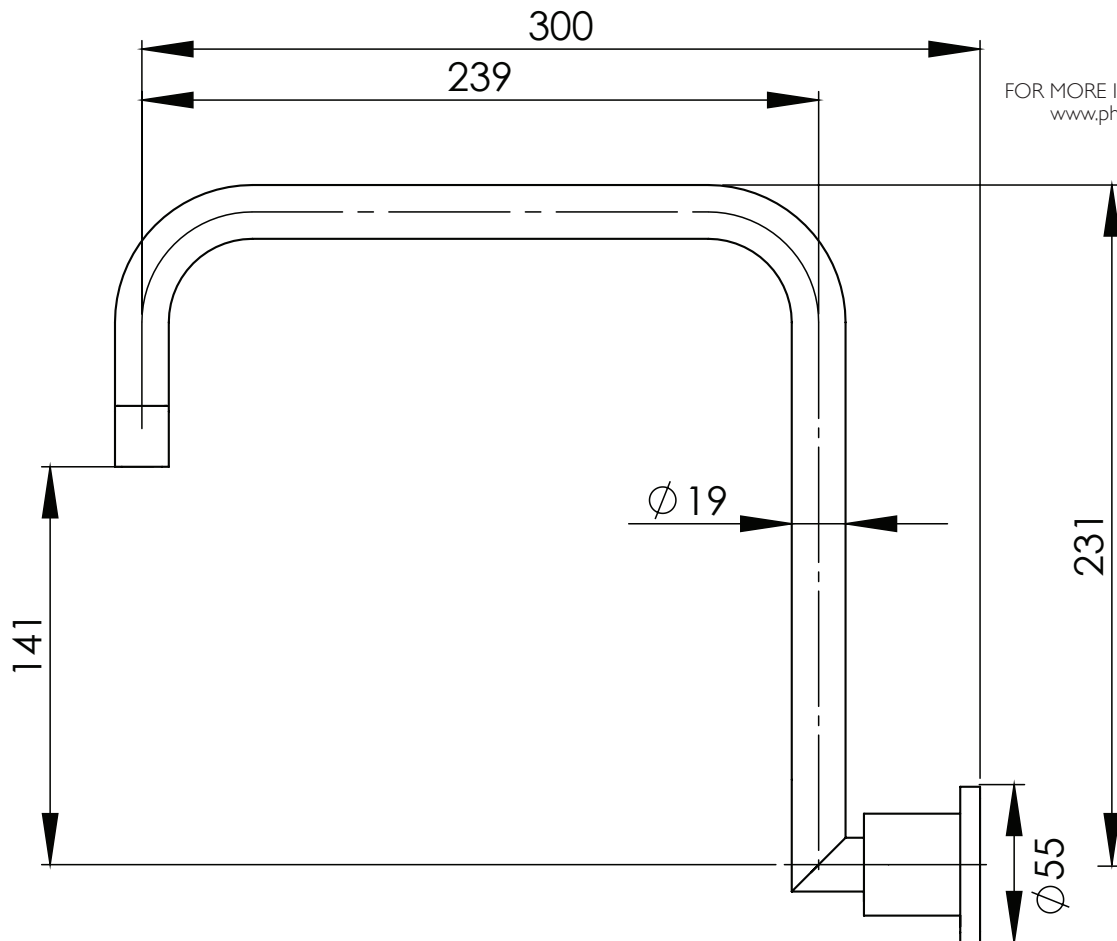
TEMPERATURE RATING: MIN 1° - MAX 75°
 PRESSURE RATING: MIN 150 kPa - MAX 500 kPa



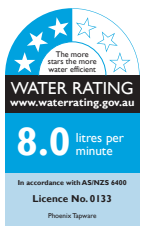
AVAILABLE IN:



CHROME



FOR MORE INFORMATION VISIT www.phoenixtapware.com.au



PLEASE [CLICK HERE](#) TO VIEW FULL WARRANTY

While we aim to ensure the specifications shown are correct at time of printing, Phoenix Tapware reserves the right to make modifications without prior notice. Always use the physical product measurements for mark-ups and roughing-in as the line drawing shown may differ from the actual product over time. All measurements are shown in millimetres.

Radii is a Registered Trademark of Phoenix Industries Pty. Ltd.

V180917

www.phoenixtapware.com.au
03 9780 4200



PHOENIX

SPECIFICATIONS

RADII

WALL SINK OUTLET 300MM SQUARELINE

PRODUCT CODE:

RA073 CHR

FINISH:

CHROME

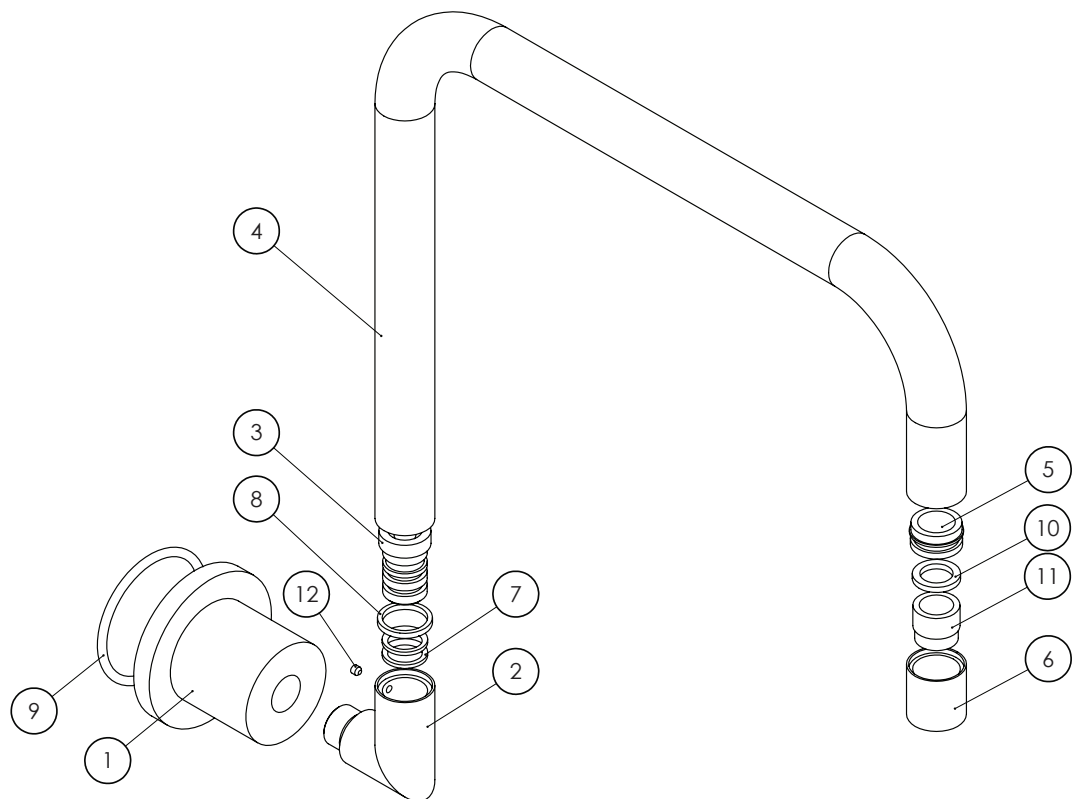
WELS:

3 STAR - 8.0 LT/MIN



PARTS LIST

1. WALL SPOUT FLANGE
2. WALL SPOUT TAIL
3. SPOUT SWIVEL
4. SPOUT
5. AERATOR ADAPTOR
6. AERATOR RETAINER
7. O-RING 11X2.0MM
8. NYLON WASHER
9. O-RING 43X2.0MM
10. WASHER
11. AERATOR
12. GRUB SCREW



MAINTENANCE AND CARE:

- All surfaces should be cleaned with mild liquid detergent or soap and water.
- Do not use cream cleaners or citrus based cleaning products, as they are abrasive.
- Use of unsuitable cleaning agents may damage the surface. Any damage caused in this way will not be covered by warranty.

PACKAGING INCLUDES

- 1 x Wall sink outlet
- 1 x Installation instructions
- 1 x Warranty card

PLEASE [CLICK HERE](#) TO VIEW FULL WARRANTY

While we aim to ensure the specifications shown are correct at time of printing, Phoenix Tapware reserves the right to make modifications without prior notice. Always use the physical product measurements for mark-ups and roughing-in as the line drawing shown may differ from the actual product over time. All measurements are shown in millimetres.

Radii is a Registered Trademark of Phoenix Industries Pty. Ltd.

V180917

www.phoenixtapware.com.au
03 9780 4200