



PHOENIX

SPECIFICATIONS

NOSTALGIA

PULL OUT SINK MIXER

PRODUCT CODE: NS710-40
 FINISH: BRUSHED NICKEL
 WELS: 4 STAR - 6.5 LT/MIN

INFORMATION:

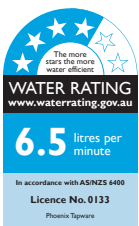
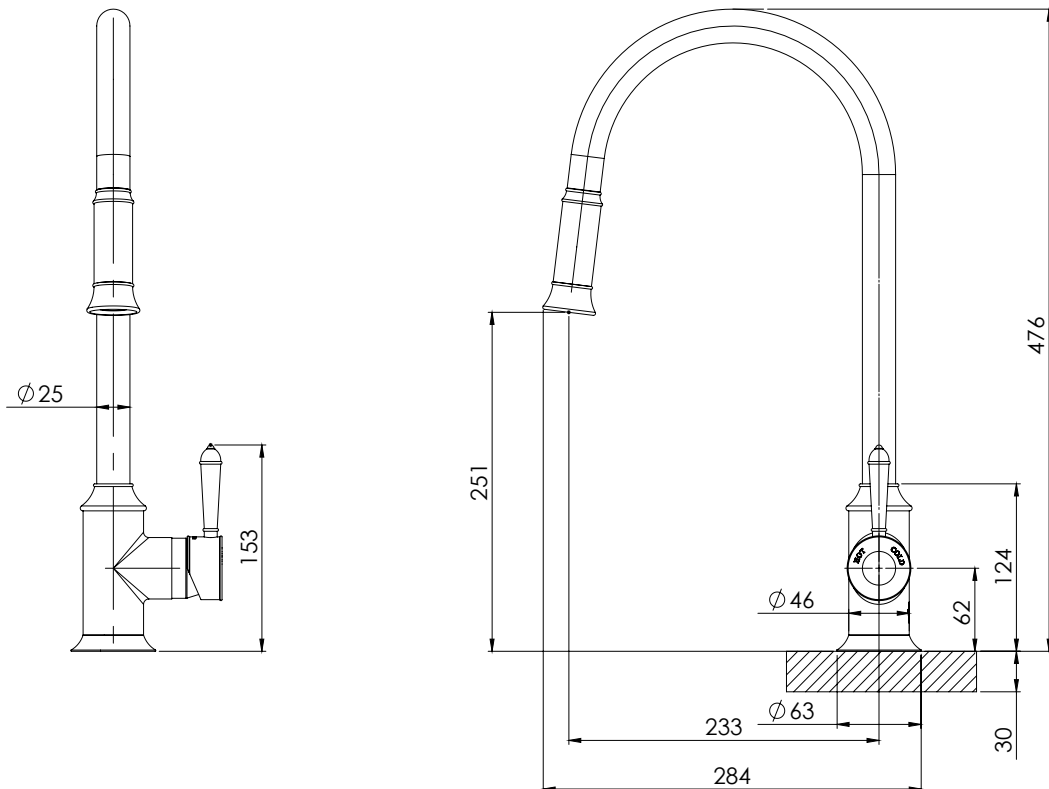
TEMPERATURE RATING: MIN 1° - MAX 75°
 PRESSURE RATING: MIN 150 kPa - MAX 500 kPa



AVAILABLE IN:



FOR MORE INFORMATION VISIT
www.phoenixtapware.com.au



PLEASE [CLICK HERE TO VIEW FULL WARRANTY](#)

While we aim to ensure the specifications shown are correct at time of printing, Phoenix Tapware reserves the right to make modifications without prior notice. Always use the physical product measurements for mark-ups and roughing-in as the line drawing shown may differ from the actual product over time. All measurements are shown in millimetres.

Nostalgia is a Registered Trademark of Phoenix Industries Pty. Ltd.

V300420

www.phoenixtapware.com.au
 03 9780 4200



PHOENIX

SPECIFICATIONS

NOSTALGIA

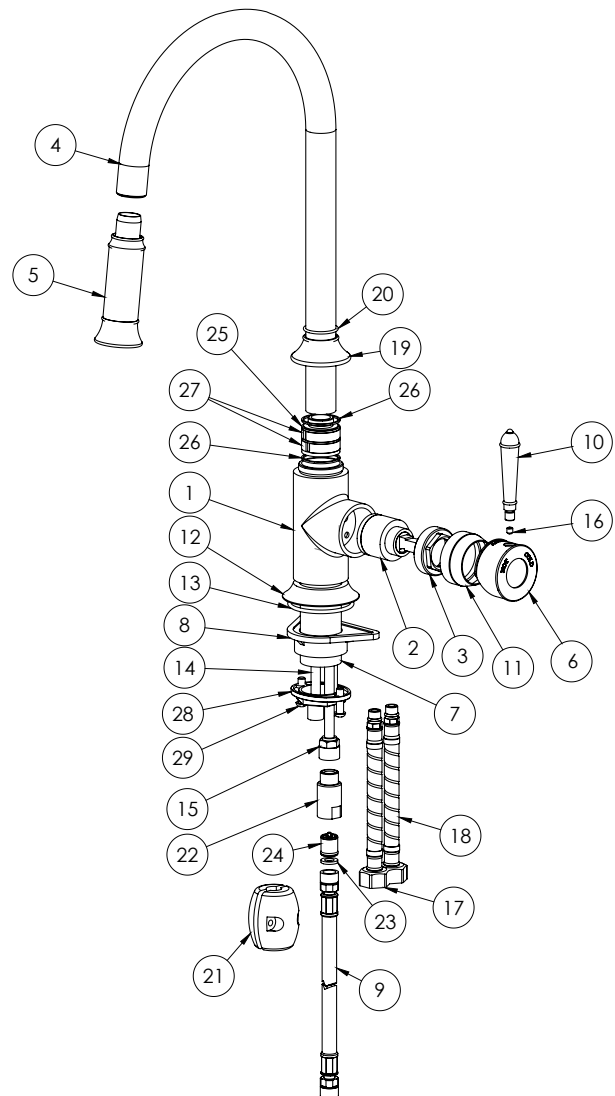
PULL OUT SINK MIXER

PRODUCT CODE: NS710-40
 FINISH: BRUSHED NICKEL
 WELS: 4 STAR - 6.5 LT/MIN



PARTS LIST

1. MIXER BODY
2. 35MM CARTRIDGE
3. LOCKNUT
4. SPOUT
5. SPRAY HEAD
6. HANDLE BODY
7. MIXER TAIL
8. SWIVEL SPACER
9. M15 BRAIDED HOSE DOUBLE END
10. LEVER PIN
11. DOME
12. DRESS RING
13. O-RING 49X3.0MM
14. M10 HOSE EXTENSION
15. M15 HOSE EXTENSION COPPER
16. GRUB SCREW M5X5
17. FLEXIBLE HOSE 450MM COLD
18. FLEXIBLE HOSE 450MM HOT
19. TOP FLANGE
20. O-RING 25X2.0MM
21. COUNTER WEIGHT
22. CHECK VALVE ADAPTER
23. SWIVEL HOSE WASHER
24. AERATOR
25. SPOUT BASE
26. SPOUT BASE TOP BEARING
27. BASE BEARING
28. LOCKING NUT
29. SCREW PHILLIPS HEAD M6X20



MAINTENANCE AND CARE:

- All surfaces should be cleaned with mild liquid detergent or soap and water.
- Do not use cream cleaners or citrus based cleaning products, as they are abrasive.
- Use of unsuitable cleaning agents may damage the surface. Any damage caused in this way will not be covered by warranty.

PLEASE [CLICK HERE](#) TO VIEW FULL WARRANTY

While we aim to ensure the specifications shown are correct at time of printing, Phoenix Tapware reserves the right to make modifications without prior notice. Always use the physical product measurements for mark-ups and roughing-in as the line drawing shown may differ from the actual product over time. All measurements are shown in millimetres.

Nostalgia is a Registered Trademark of Phoenix Industries Pty. Ltd.
 V300420

www.phoenixtapware.com.au
 03 9780 4200