



PHOENIX

SPECIFICATIONS

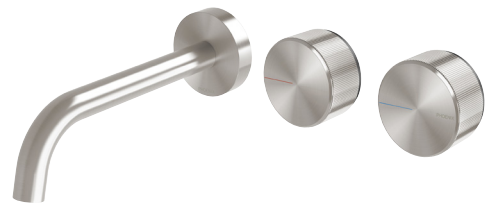
AXIA

WALL BASIN / BATH CURVED OUTLET HOSTESS SET 180MM

PRODUCT CODE: 117-1125-40
 FINISH: BRUSHED NICKEL
 WELS: 5 STAR - 6LT/MIN

INFORMATION:

TEMPERATURE RATING: MIN 1° - MAX 55°
 PRESSURE RATING: MIN 150 kPa - MAX 500 kPa

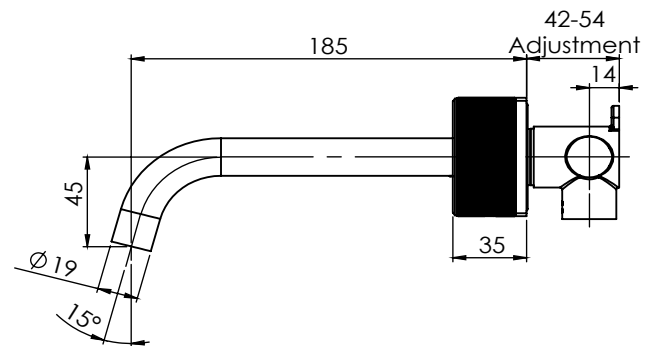
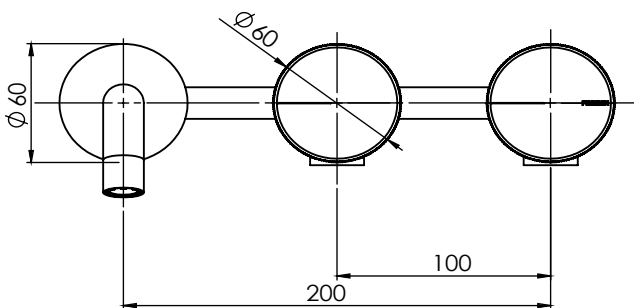


AVAILABLE IN:



CHROME BRUSHED MATTE
NICKEL NICKEL BLACK

FOR MORE INFORMATION VISIT
www.phoenixtapware.com



PLEASE [CLICK HERE TO VIEW FULL WARRANTY](#)

While we aim to ensure the specifications shown are correct at time of printing, Phoenix Tapware reserves the right to make modifications without prior notice. Always use the physical product measurements for mark-ups and roughing-in as the line drawing shown may differ from the actual product over time. All measurements are shown in millimetres. Some colours may vary across product types due to differing construction materials. Printed images are a representation only and the colour or finish may vary from the actual product.
 A Registered Design and Trademark of Phoenix Industries Pty. Ltd

www.phoenixtapware.com.au
03 9780 4200



PHOENIX

SPECIFICATIONS

AXIA

WALL BASIN / BATH CURVED OUTLET HOSTESS SET 180MM

PRODUCT CODE:

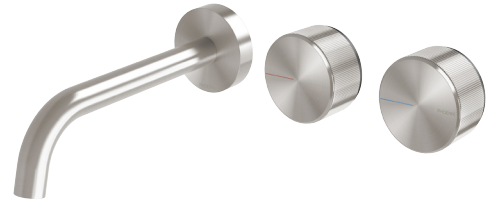
117-1125-40

FINISH:

BRUSHED NICKEL

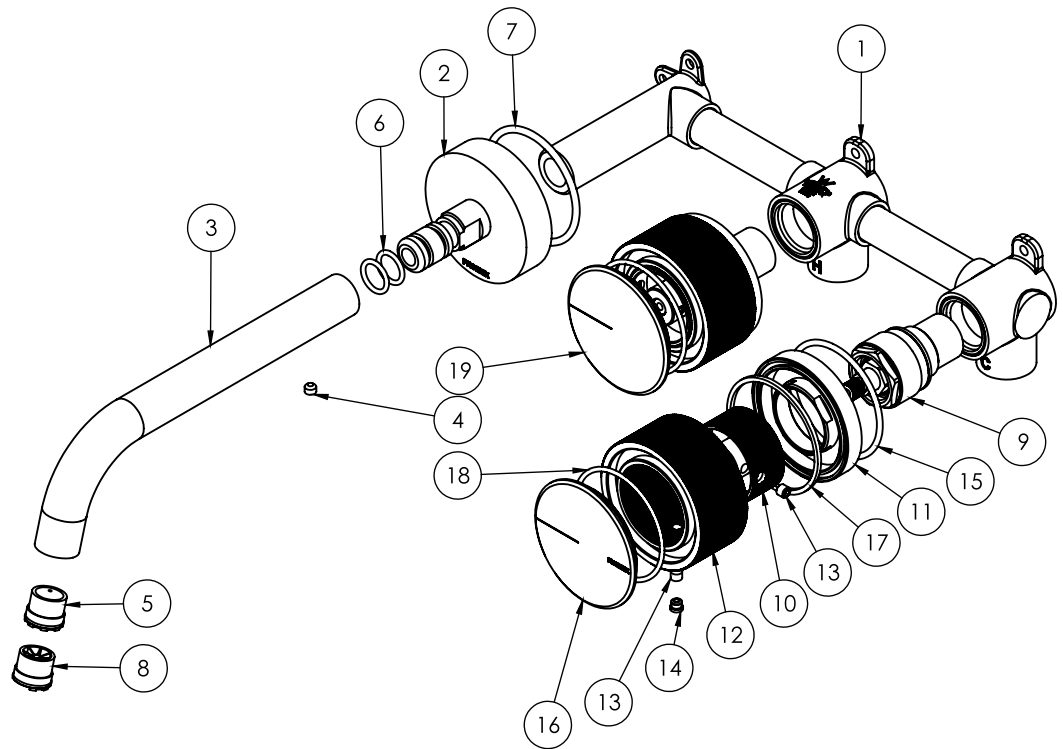
WELS:

5 STAR - 6LT/MIN



PARTS LIST

1. WALL TAP BODY
2. SCREW M4 X 35
3. SPOUT BODY
4. GRUB SCREW M5X4
5. AERATOR
6. O-RING
7. O-RING
8. AERATOR FLOW STRAIGHTENER
9. WALL TOP BONNET
10. SPINDLE ADAPTOR
11. WALL TAP FLANGE
12. WALL TAP HANDLE
13. GRUB SCREW
14. RUBBER SCREW CAP
15. O-RING
16. INDICATOR COVER
17. WASHER
18. O-RING
19. INDICATOR COVER



MAINTENANCE AND CARE:

- All surfaces should be cleaned with mild liquid detergent or soap and water.
- Do not use cream cleaners or citrus based cleaning products, as they are abrasive.
- Use of unsuitable cleaning agents may damage the surface. Any damage caused in this way will not be covered by warranty.

PLEASE [CLICK HERE TO VIEW FULL WARRANTY](#)

While we aim to ensure the specifications shown are correct at time of printing, Phoenix Tapware reserves the right to make modifications without prior notice. Always use the physical product measurements for mark-ups and roughing-in as the line drawing shown may differ from the actual product over time. All measurements are shown in millimetres. Some colours may vary across product types due to differing construction materials. Printed images are a representation only and the colour or finish may vary from the actual product.

A Registered Design and Trademark of Phoenix Industries Pty. Ltd

V270420

www.phoenixtapware.com.au

03 9780 4200