



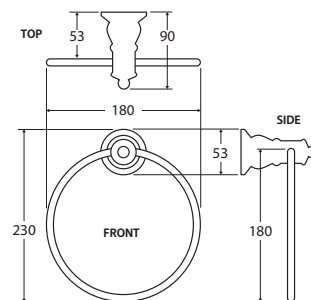
ACCESSORIES

LILLIAN Chrome

Modern Vintage
 COLLECTION

LILLIAN Hand Towel Ring

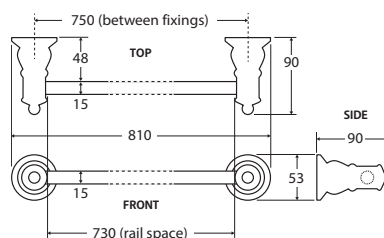
\$49 • 81002



LILLIAN Single Towel Rail

\$79 • 81001

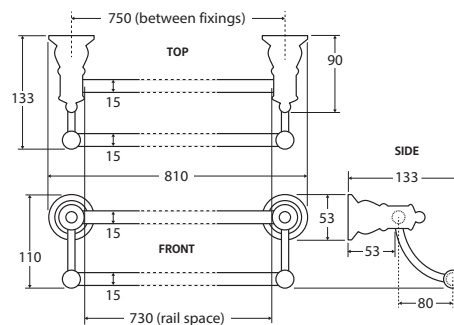
- Removable rail can be cut to desired length
- Unique, no-spin design
- Chrome finish
- Zinc & stainless steel construction
- High-strength fixing brackets



LILLIAN Double Towel Rail

\$89 • 81008

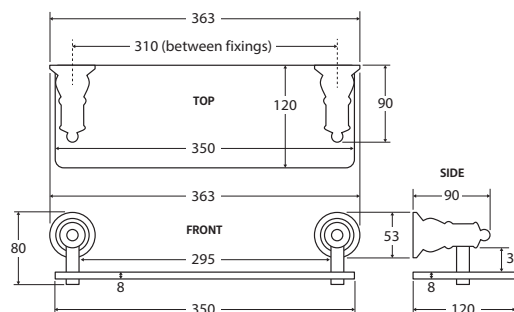
- Removable rails can be cut to desired length
- Unique, no-spin design
- Chrome finish
- Zinc & stainless steel construction
- High-strength fixing brackets



LILLIAN Glass Shelf

\$89 • 81007

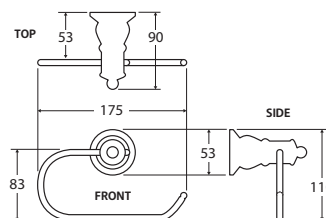
- 8mm thick tempered glass shelf
- Not adjustable
- Chrome finish
- Zinc & stainless steel construction
- High-strength fixing brackets



LILLIAN Toilet Roll Holder

\$55 • 81003

- Chrome finish
- Zinc & stainless steel construction
- High-strength fixing brackets



LILLIAN Robe Hook

\$35 • 81004

- Chrome finish
- Zinc & stainless steel construction
- High-strength fixing brackets

