



PHOENIX

SPECIFICATIONS

NOSTALGIA

LEVER EXPOSED SINK SET

PRODUCT CODE: NSI 35-33
 FINISH: ANTIQUE BLACK
 WELS: 4 STAR - 6.5 LT/MIN

INFORMATION:

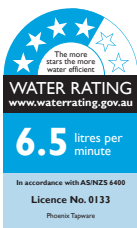
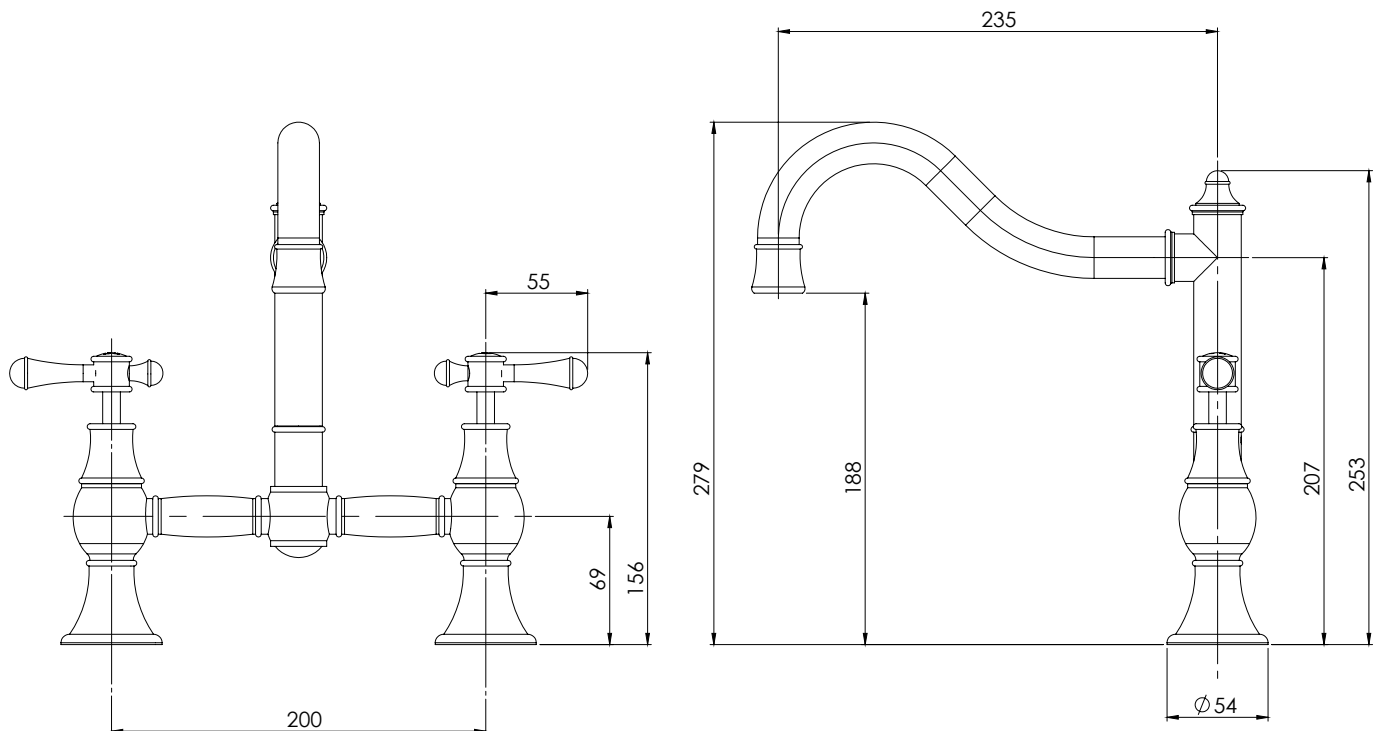
TEMPERATURE RATING: MIN 1° - MAX 75°
 PRESSURE RATING: MIN 150 kPa - MAX 500 kPa



AVAILABLE IN:



FOR MORE INFORMATION VISIT
www.phoenixtapware.com.au



PLEASE [CLICK HERE](#) TO VIEW FULL WARRANTY

While we aim to ensure the specifications shown are correct at time of printing, Phoenix Tapware reserves the right to make modifications without prior notice. Always use the physical product measurements for mark-ups and roughing-in as the line drawing shown may differ from the actual product over time. All measurements are shown in millimetres. Some colours may vary across product types due to differing construction materials. Printed images are a representation only and the colour or finish may vary from the actual product

www.phoenixtapware.com.au
 03 9780 4200

Nostalgia is a Registered Trademark of Phoenix Industries Pty. Ltd.

V300420



PHOENIX

SPECIFICATIONS

NOSTALGIA

LEVER EXPOSED SINK SET

PRODUCT CODE:

NSI 35-33

FINISH:

ANTIQUE BLACK

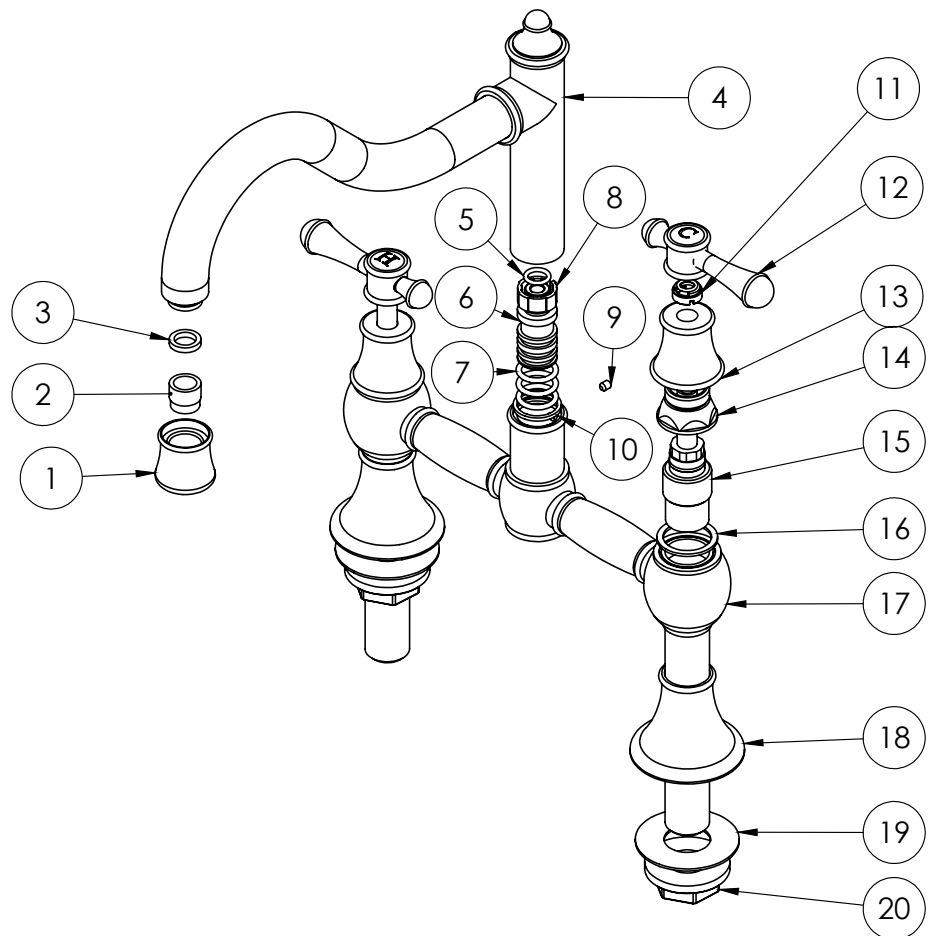
WELS:

4 STAR - 6.5 LT/MIN



PARTS LIST

1. RETAINER
2. AERATOR
3. GASKET
4. SPOUT
5. O-RING 9X2
6. SPOUT TAIL
7. O-RING 15X2.56
8. SPOUT BEARING
9. GRUB SCREW M4X5
10. UPPER SPOUT WASHER
11. ANTI-VANDAL ASSY
12. HANDLE
13. BREACH DOME
14. CARTRIDGE LOCKNUT
15. CARTRIDGE
16. FIBER WASHER
17. EXPOSED BREACH
18. FLANGE
19. NYLON WASHER
20. LOCKNUT PLASTIC



MAINTENANCE AND CARE:

- All surfaces should be cleaned with mild liquid detergent or soap and water.
- Do not use cream cleaners or citrus based cleaning products, as they are abrasive.
- Use of unsuitable cleaning agents may damage the surface. Any damage caused in this way will not be covered by warranty.

PLEASE [CLICK HERE](#) TO VIEW FULL WARRANTY

While we aim to ensure the specifications shown are correct at time of printing, Phoenix Tapware reserves the right to make modifications without prior notice. Always use the physical product measurements for mark-ups and roughing-in as the line drawing shown may differ from the actual product over time. All measurements are shown in millimetres. Some colours may vary across product types due to differing construction materials. Printed images are a representation only and the colour or finish may vary from the actual product

www.phoenixtapware.com.au
03 9780 4200

Nostalgia is a Registered Trademark of Phoenix Industries Pty. Ltd.

V300420