

IVY MKII

BASIN MIXER

PRODUCT CODE: 154-7700-00
 FINISH: CHROME
 WELS: 4 STAR - 6.5 LT/MIN

INFORMATION:

TEMPERATURE RATING: MIN 1° - MAX 75°
 PRESSURE RATING: MIN 150 kPa - MAX 500 kPa

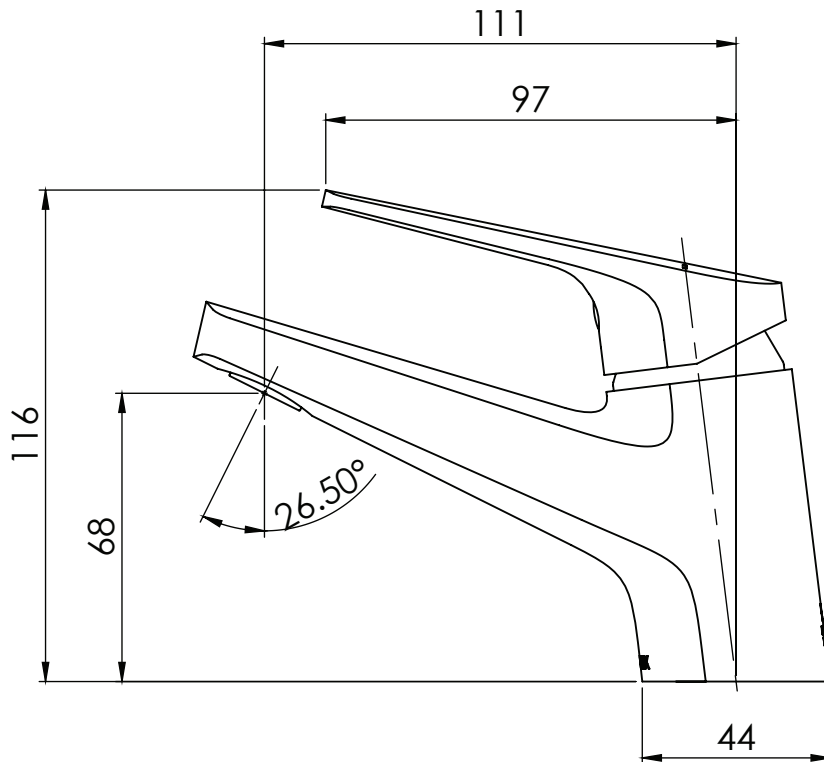


AVAILABLE IN:



CHROME

FOR MORE INFORMATION VISIT
www.phoenixtapware.com.au



PLEASE [CLICK HERE TO VIEW FULL WARRANTY](#)

While we aim to ensure the specifications shown are correct at time of printing, Phoenix Tapware reserves the right to make modifications without prior notice. Always use the physical product measurements for mark-ups and roughing-in as the line drawing shown may differ from the actual product over time. All measurements are shown in millimetres.

www.phoenixtapware.com.au
 03 9780 4200

IVY MKII

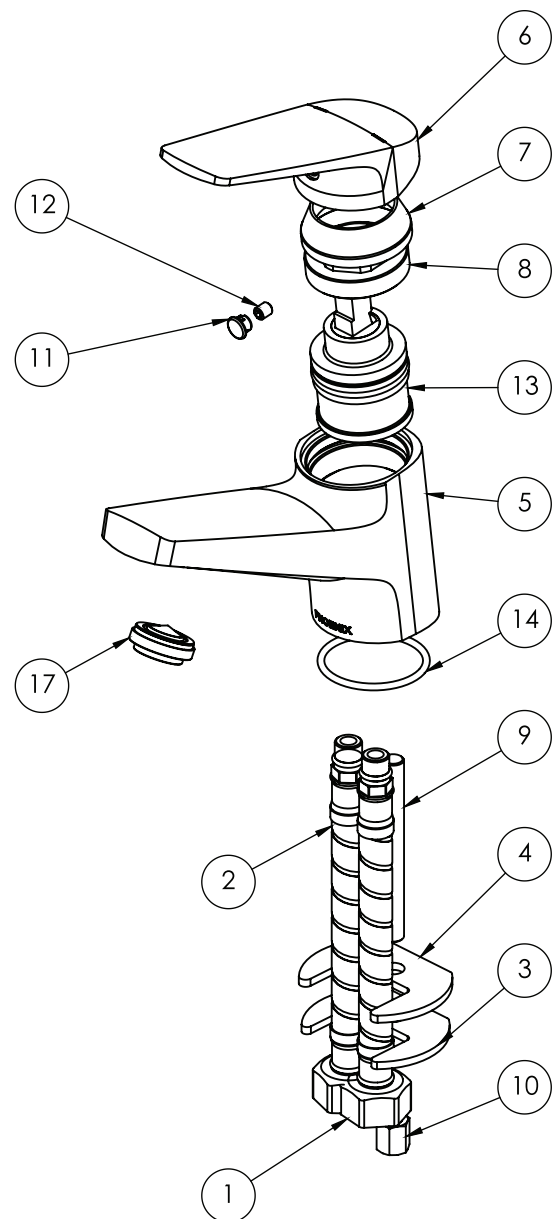
BASIN MIXER

PRODUCT CODE: 154-7700-00
 FINISH: CHROME
 WELS: 4 STAR - 6.5 LT/MIN



PARTS LIST

1. FLEXIBLE HOSE 350MM COLD
2. FLEXIBLE HOSE 350MM HOT
3. FIXING PLATE
4. RUBBER GASKET
5. MIXER BODY
6. MIXER HANDLE
7. MIXER DOME
8. MIXER LOCKNUT
9. THREADED ROD M8X75MM
10. THREADED NUT
11. SCREW CAP
12. GRUB SCREW M5X6
13. 35MM CARTRIDGE
14. O-RING 36X2.5MM
15. ALLEN KEY
16. AERATOR KEY
17. AERATOR



MAINTENANCE AND CARE:

- All surfaces should be cleaned with mild liquid detergent or soap and water.
- Do not use cream cleaners or citrus based cleaning products, as they are abrasive.
- Use of unsuitable cleaning agents may damage the surface. Any damage caused in this way will not be covered by warranty.

[PLEASE CLICK HERE TO VIEW FULL WARRANTY](#)

While we aim to ensure the specifications shown are correct at time of printing, Phoenix Tapware reserves the right to make modifications without prior notice. Always use the physical product measurements for mark-ups and roughing-in as the line drawing shown may differ from the actual product over time. All measurements are shown in millimetres.

www.phoenixtapware.com.au
03 9780 4200