

# Calais

Calais 1 600mm centre basin

**Top Thickness**

- Caesarstone: 20mm
- Silestone: 20mm
- Dekton: 12mm
- Symphony: 20mm
- Timber: Solid 30-35mm  
(Above counter only)

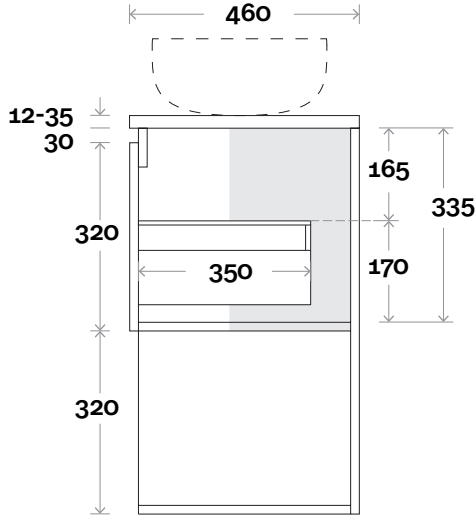
**Note:**

- Stone & Timber waste centre:  
300mm Std (may vary depending on basin)

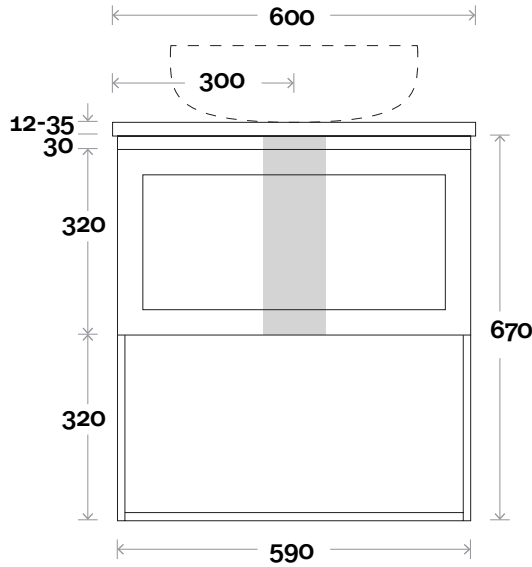


Plumbing allowance

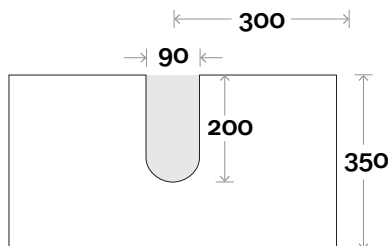
**Profile**



**Configuration**



**Top Drawer Box**



# Calais

Calais 2 750mm centre basin

**Top Thickness**

- Caesarstone: 20mm
- Silestone: 20mm
- Dekton: 12mm
- Symphony: 20mm
- Timber: Solid 30-35mm  
(Above counter only)

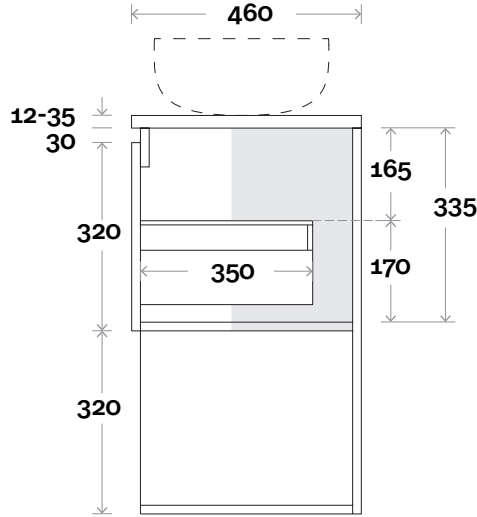
**Note:**

- Stone & Timber waste centre:  
375mm std (may vary depending on basin)

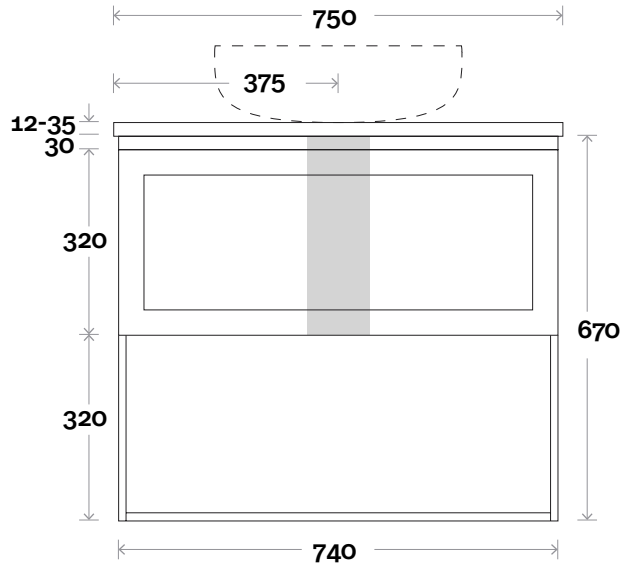


**Plumbing allowance**

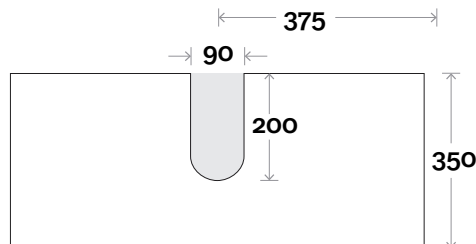
**Profile**



**Configuration**



**Top Drawer Box**



# Calais

Calais 3 900mm centre basin

**Top Thickness**

- Caesarstone: 20mm
- Silestone: 20mm
- Dekton: 12mm
- Symphony: 20mm
- Timber: Solid 30-35mm  
(Above counter only)

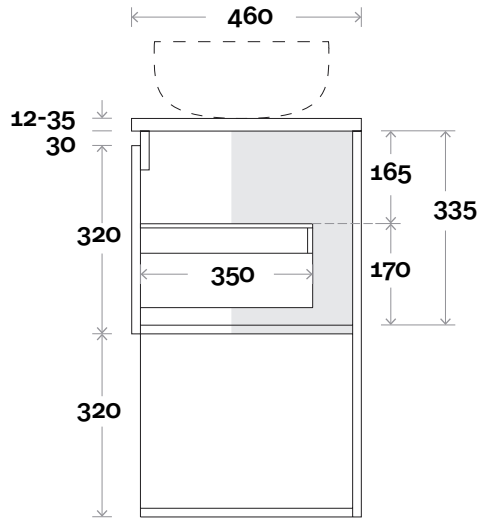
**Note:**

- Stone & Timber waste centre:  
450mm Std (may vary depending on basin)

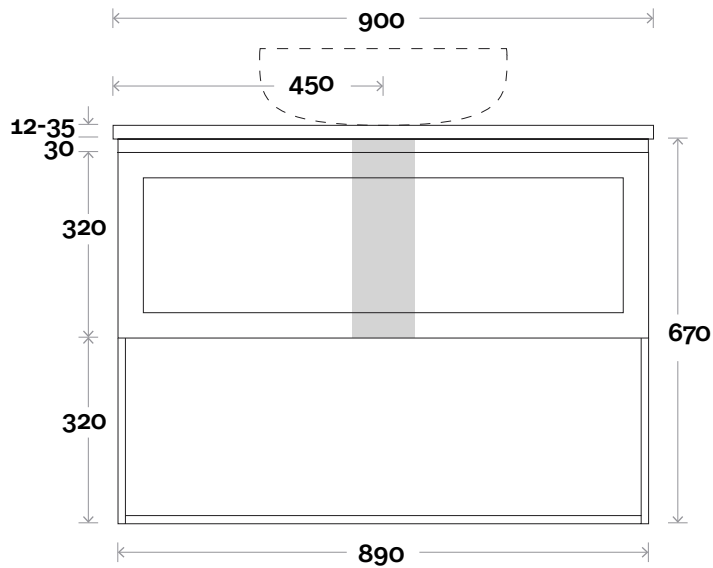


Plumbing allowance

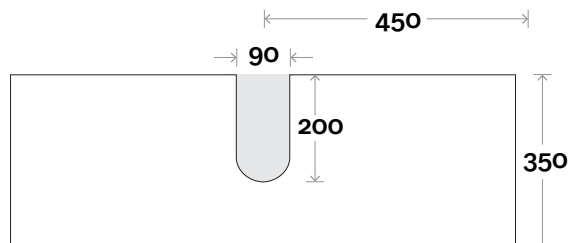
**Profile**



**Configuration**



**Top Drawer Box**



# Calais

Calais 4 1200mm centre basin

**Top Thickness**

- Caesarstone: 20mm
- Silestone: 20mm
- Dekton: 12mm
- Symphony: 20mm
- Timber: Solid 30-35mm  
(Above counter only)

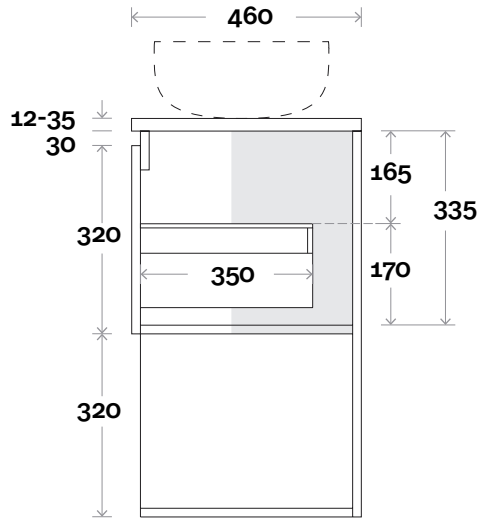
**Note:**

- Stone & Timber waste centre:  
600mm Std (may vary depending on basin)

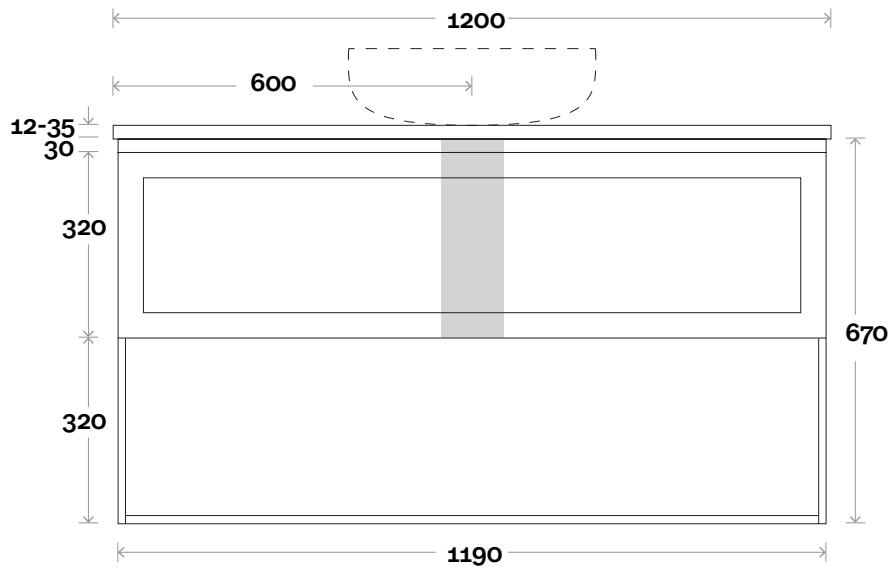


**Plumbing allowance**

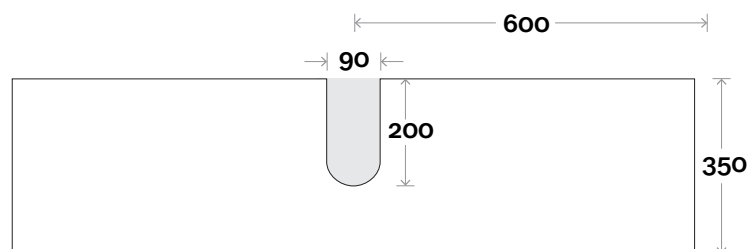
**Profile**



**Configuration**



**Top Drawer Box**



# Calais

Calais 5 1200mm double basin

**Top Thickness**

- Caesarstone: 20mm
- Silestone: 20mm
- Dekton: 12mm
- Symphony: 20mm
- Timber: Solid 30-35mm  
(Above counter only)

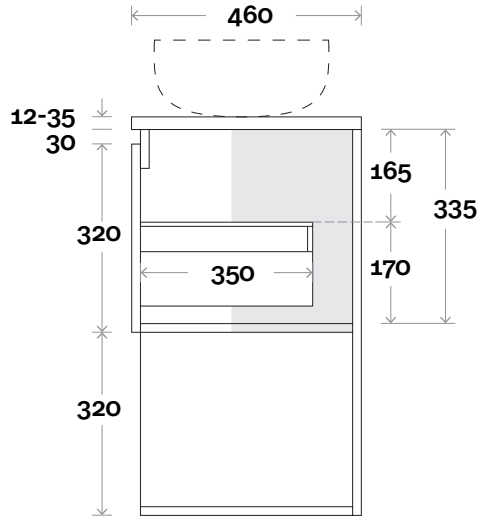
**Note:**

- Stone & Timber waste centre:  
300mm Std (may vary depending on basin)

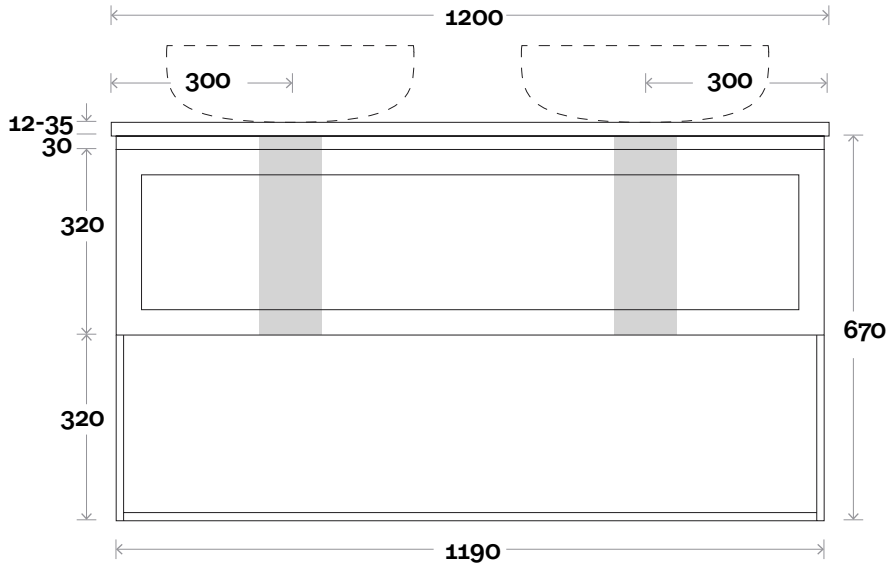


**Plumbing allowance**

**Profile**



**Configuration**



**Top Drawer Box**



# Calais

Calais 6 1200mm off centre basin

**Top Thickness**

- Caesarstone: 20mm
- Silestone: 20mm
- Dekton: 12mm
- Symphony: 20mm
- Timber: Solid 30-35mm  
(Above counter only)

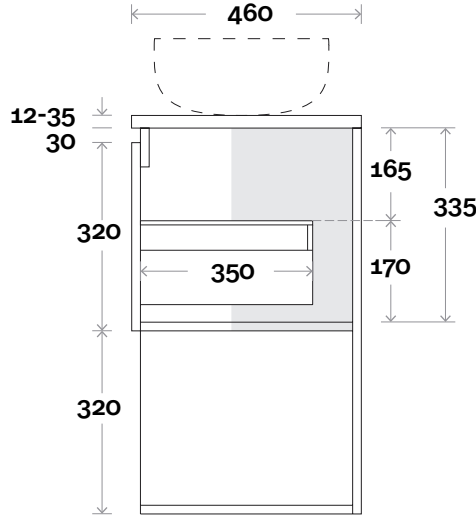
**Note:**

- Stone & Timber waste centre: 300mm Std (may vary depending on basin)
- Left or Right hand basin

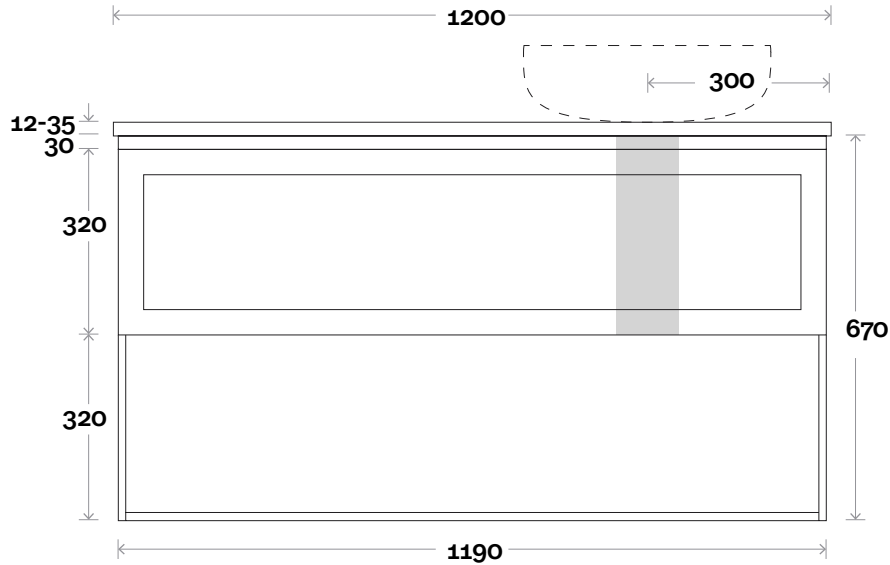


Plumbing allowance

**Profile**



**Configuration**



**Top Drawer Box**



# Calais

Calais 7 1500mm centre basin

**Top Thickness**

- Caesarstone: 20mm
- Silestone: 20mm
- Dekton: 12mm
- Symphony: 20mm
- Timber: Solid 30-35mm  
(Above counter only)

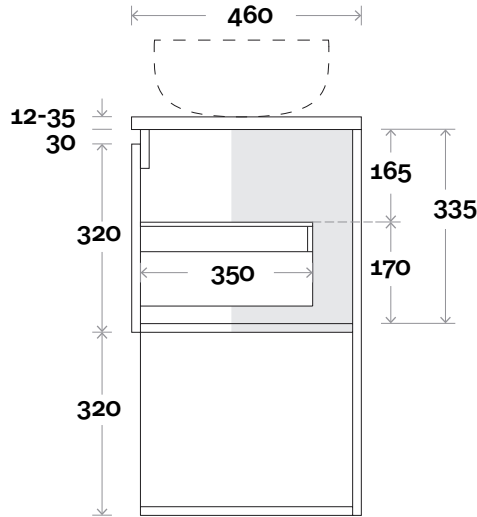
**Note:**

- Stone & Timber waste centre:  
750mm std (may vary depending on basin)

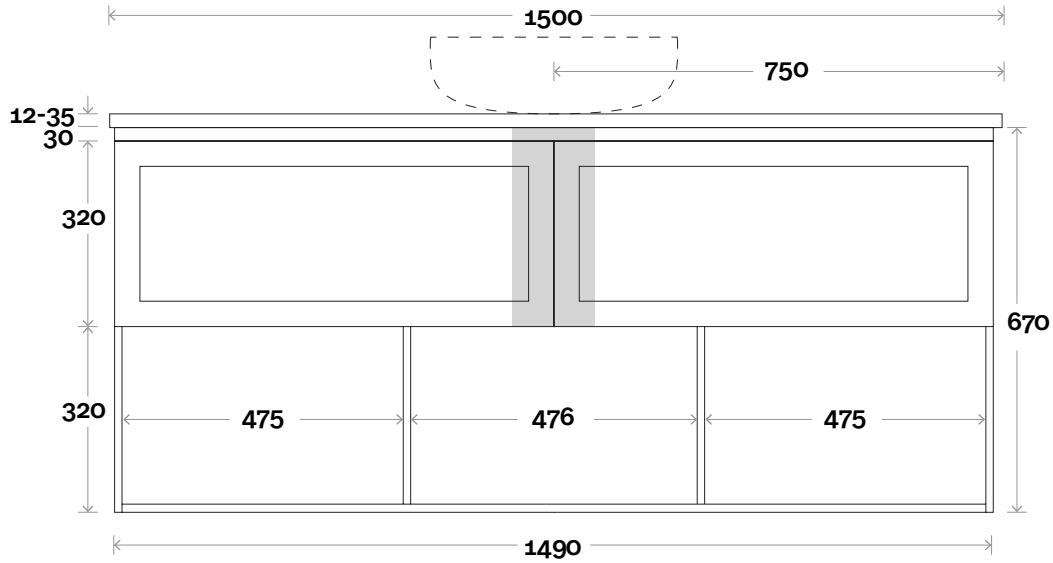


Plumbing allowance

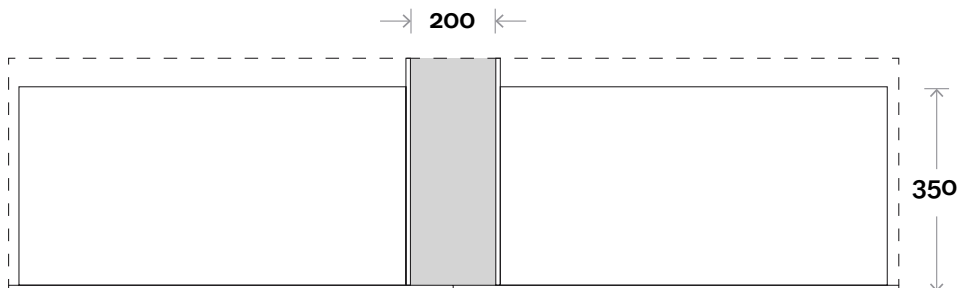
## Profile



## Configuration



## Top Drawer Box



# Calais

Calais 8 1500mm double basin

### Top Thickness

- Caesarstone: 20mm
- Silestone: 20mm
- Dekton: 12mm
- Symphony: 20mm
- Timber: Solid 30-35mm  
(Above counter only)

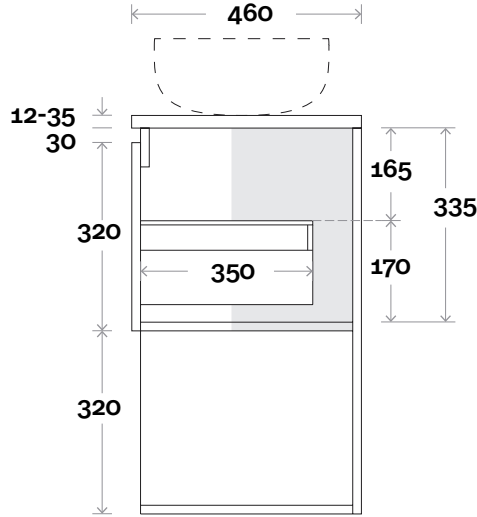
### Note:

- Stone & Timber waste centre:  
375mm std (may vary depending on basin)

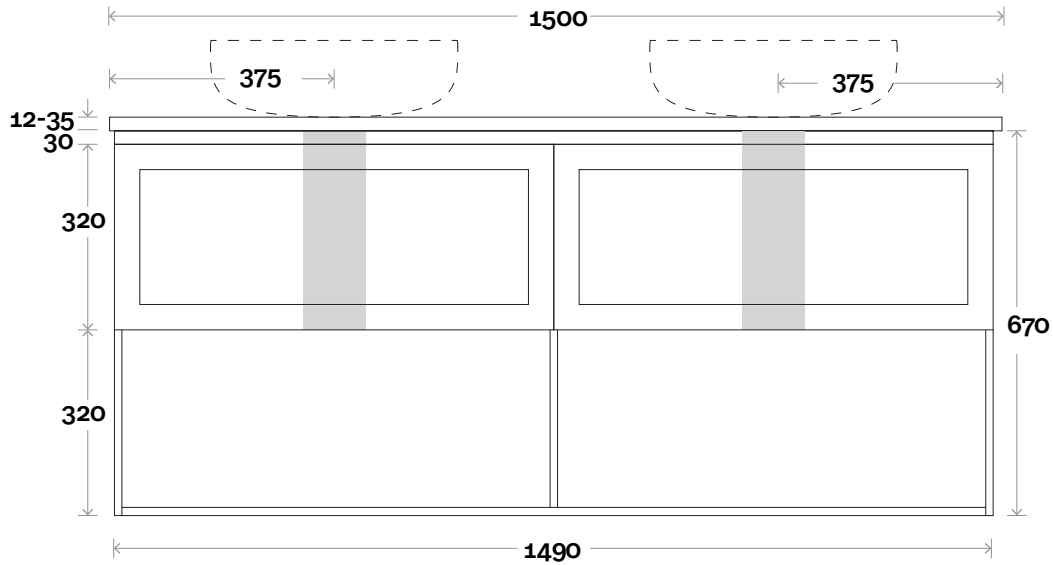


Plumbing allowance

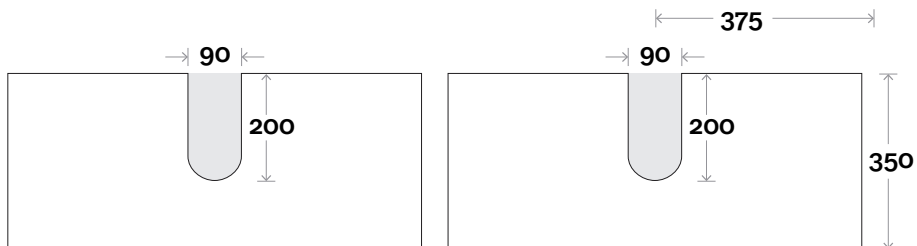
## Profile



## Configuration



## Top Drawer Box






# Calais

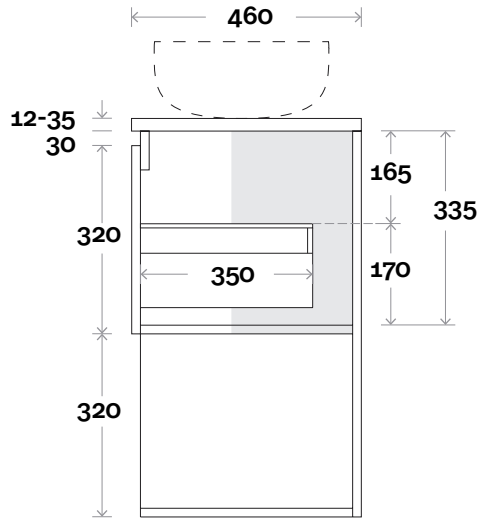
Calais 9 1500mm off centre basin

**Top Thickness**  
 Caesarstone: 20mm  
 Silestone: 20mm  
 Dekton: 12mm  
 Symphony: 20mm  
 Timber: Solid 30-35mm  
 (Above counter only)

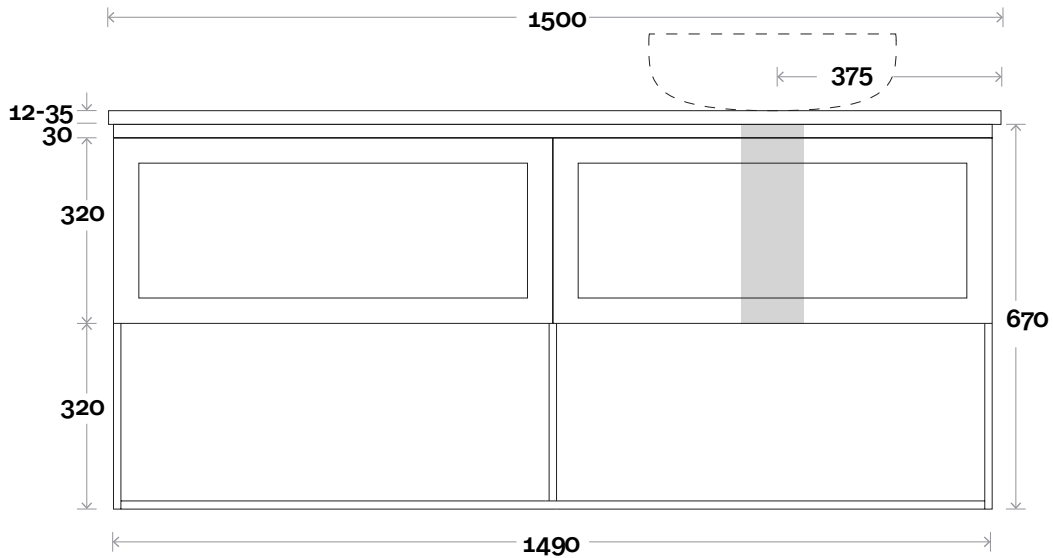
**Note:**  
 • Stone & Timber waste centre:  
 375mm std (may vary depending on basin)  
 • Left or Right hand basin

 Plumbing allowance

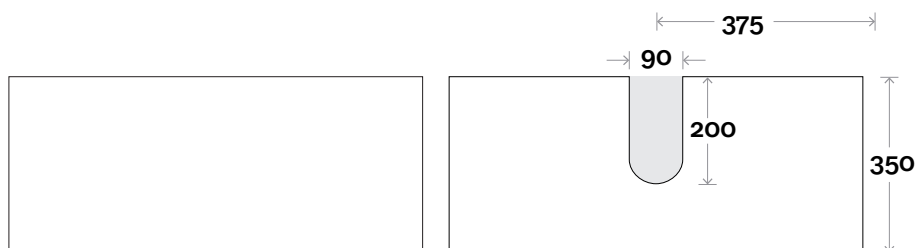
## Profile



## Configuration



## Top Drawer Box



# Calais

Calais 10 1800mm centre basin

### Top Thickness

- Caesarstone: 20mm
- Silestone: 20mm
- Dekton: 12mm
- Symphony: 20mm
- Timber: Solid 30-35mm  
(Above counter only)

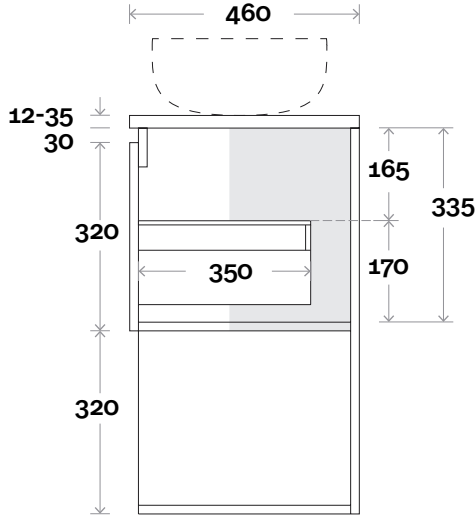
### Note:

- Stone & Timber waste centre:  
900mm Std (may vary depending on basin)

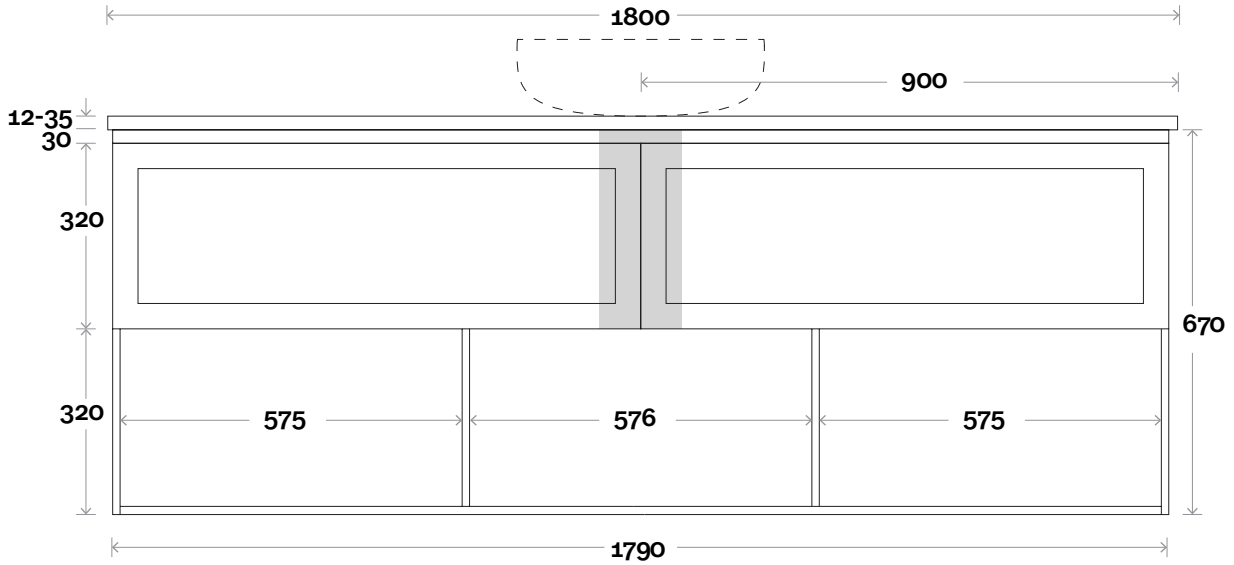


Plumbing allowance

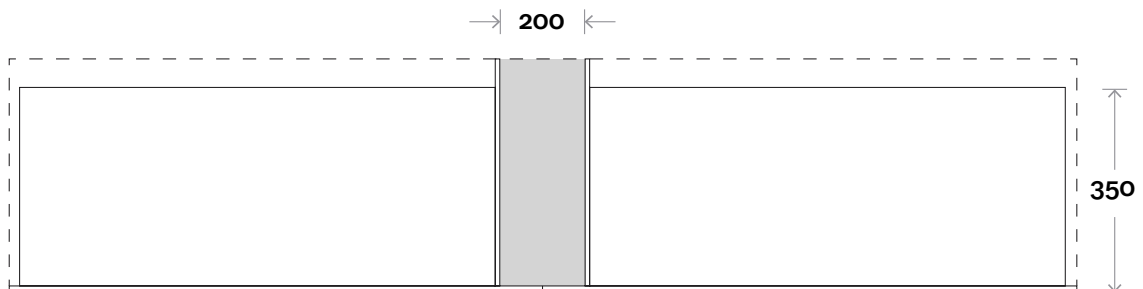
## Profile



## Configuration



## Top Drawer Box



# Calais

**Calais 11** 1800mm double basin

**Top Thickness**

- Caesarstone: 20mm
- Silestone: 20mm
- Dekton: 12mm
- Symphony: 20mm
- Timber: Solid 30-35mm  
(Above counter only)

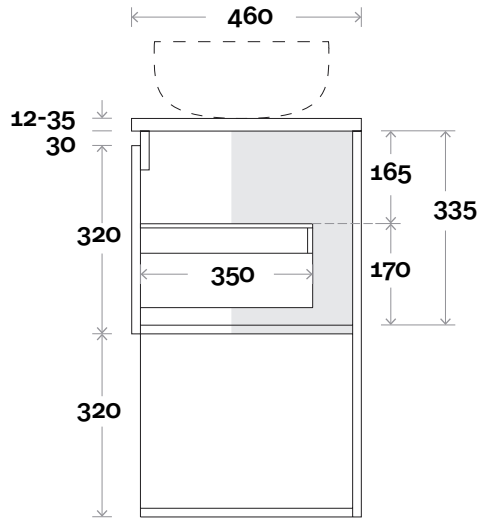
**Note:**

- Stone & Timber waste centre:  
450mm Std (may vary depending on basin)

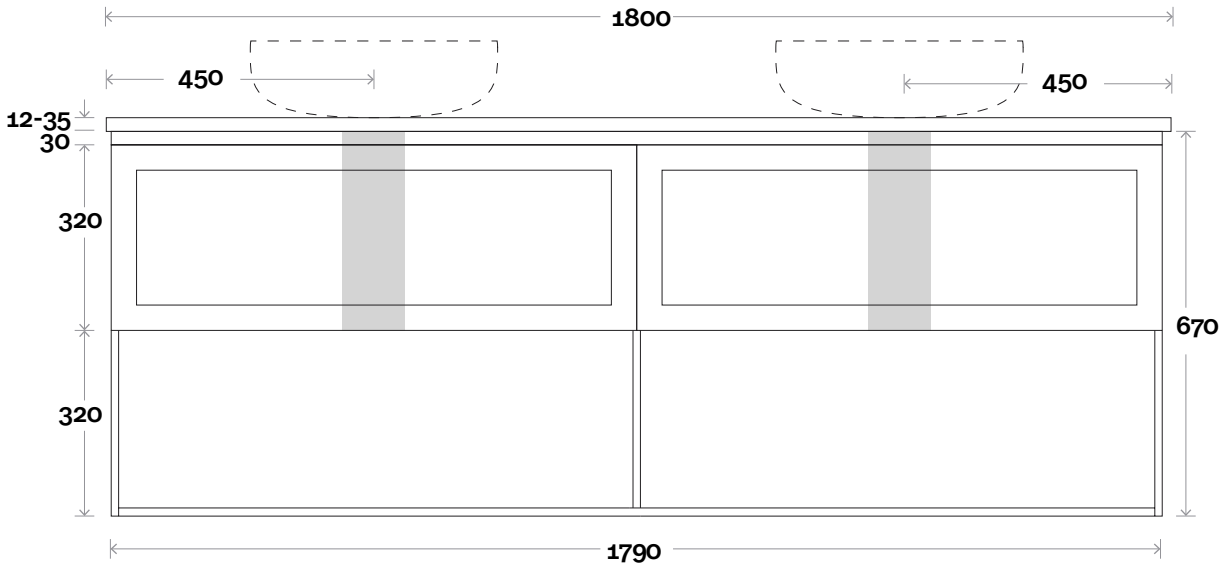


**Plumbing allowance**

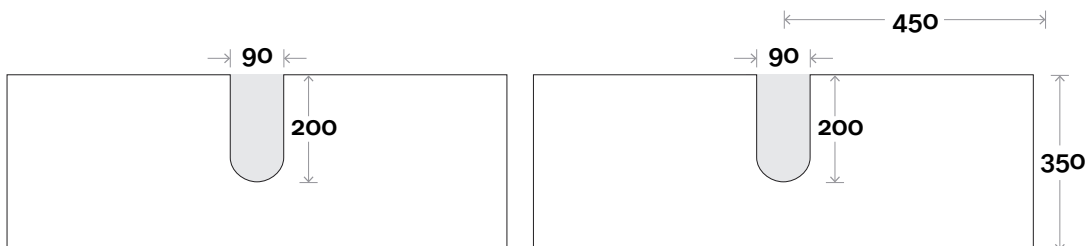
**Profile**



**Configuration**



**Top Drawer Box**



# Calais

Calais 12 1800mm off centre basin

**Top Thickness**

- Caesarstone: 20mm
- Silestone: 20mm
- Dekton: 12mm
- Symphony: 20mm
- Timber: Solid 30-35mm  
(Above counter only)

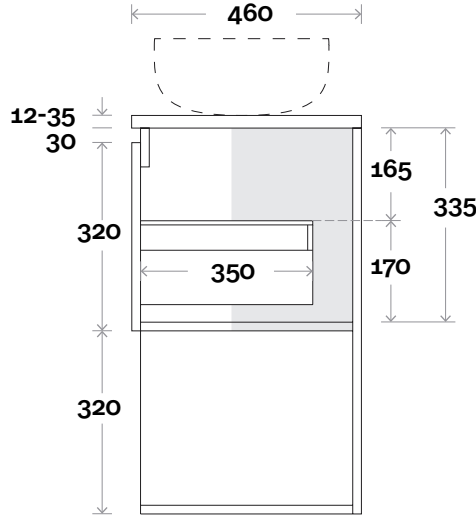
**Note:**

- Stone & Timber waste centre: 450mm Std (may vary depending on basin)
- Left or Right hand basin

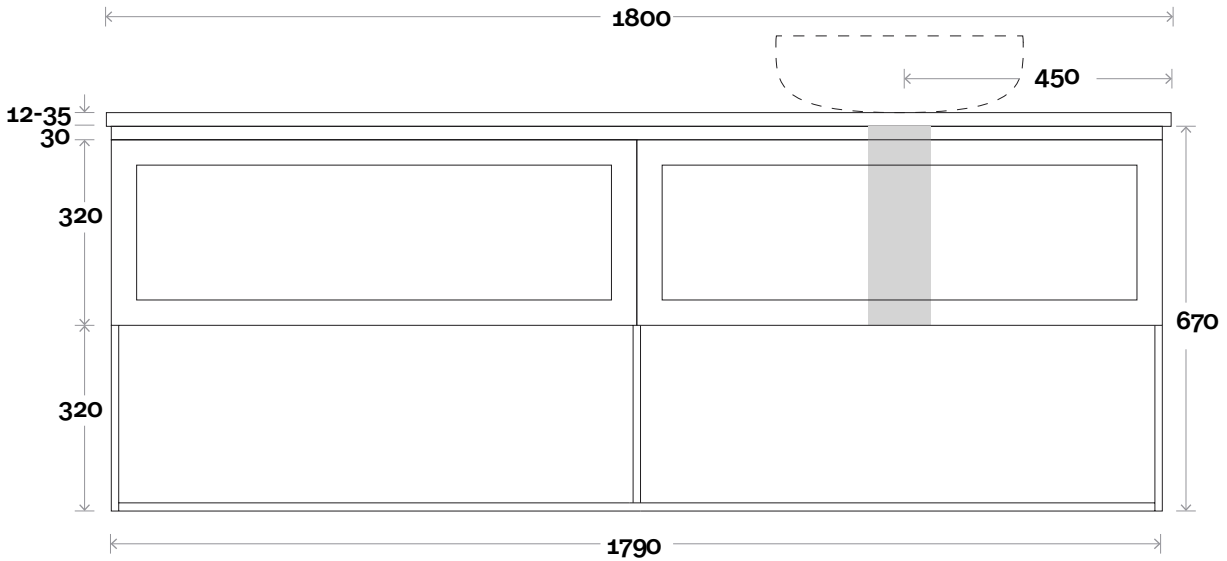


**Plumbing allowance**

**Profile**



**Configuration**



**Top Drawer Box**

