

Dear Customer,

Congratulations and thank you for purchasing a Marquis vanity. We use only the best quality moisture resistant materials in the construction of our vanities. When installed correctly and with minimum maintenance they will give you a lifetime of service.

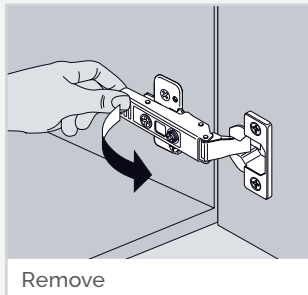
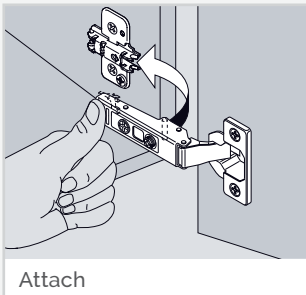
Installation Instructions

- The vanity and top should only be installed and connected to services by a **licensed tradesperson**
- REMOVE THE PROTECTIVE TRANSPORT SKIDS prior to installation (these are the strips of packing material attached to the bottoms of the front and side panels to protect them in transit)
- ENSURE PLASTIC FEET ARE IN PLACE - fitted to each corner. Break off the side skirts to improve appearance. If they are missing DO NOT INSTALL - look for spare in top drawer.
- It is not recommended to tile in the vanity. Tiles should extend behind the cabinet and clearance allowed for the drawers and doors to open.
- SEALING
 - using neutral cure mildew resistant bathroom sealant
 - Use sealant to secure and seal the top to the cabinet
 - The top should be sealed to the wall tiles
 - The taps and waste fittings should be bedded and sealed
 - DO NOT overtighten the plumbing fittings.
- Cabinet and top must be installed level.

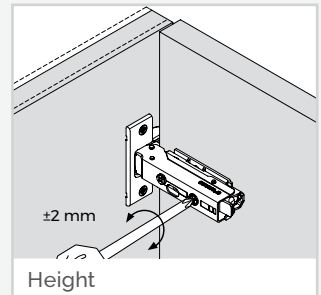
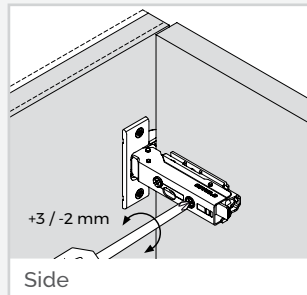
Hinge Adjustment

Movement in transit and uneven floors can result in uneven gaps in the doors. Please use the following diagrams to make any required adjustments.

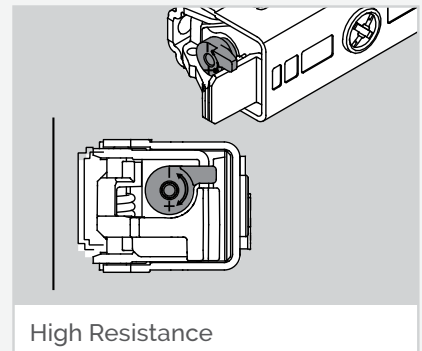
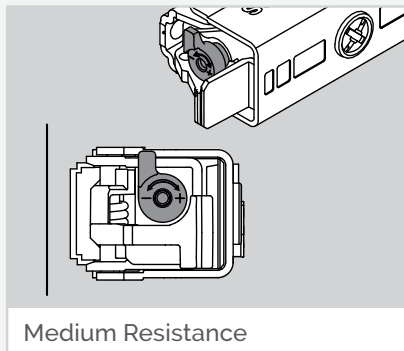
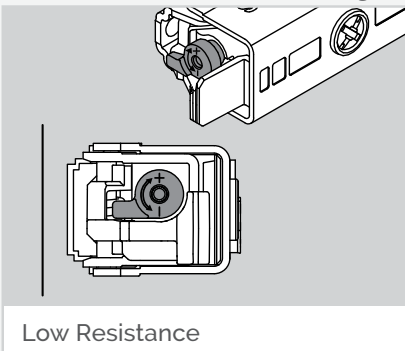
Attaching & Removing Hinge



Hinge Adjustment



Soft Close Resistance Setting



GENERAL CARE AND MAINTENANCE

Marquis has endeavoured to make their Bathroom Furniture as water resistant as possible however we do advise it is the purchasers responsibility to ensure the product is installed and maintained properly.

CABINETS

Use warm soapy water, Spray & Wipe or similar (sparingly) and apply with a soft cloth. Dry immediately.

VANITY TOPS

With any vanity top it is advisable to avoid thermal shock to the bowl. To counter this first run cold water into the bowl, adding hot water to then reach the desired temperature.

ACRYLIC

Use warm soapy water, Spray & Wipe or similar (sparingly) and apply with a soft cloth. Surface scratches or scuff marks will buff out using a quality acrylic polish (eg Jiff).

Avoid contact with direct heat eg hair straighteners and strong chemicals such as acetone, paint remover etc.

SYMPHONY (solid surface)

Use warm soapy water, Spray & Wipe or similar (sparingly) and apply with a soft cloth. Surface scratches or scuff marks will buff out using a quality acrylic polish or mild abrasive cleaner (eg Jiff).

Some deeper scratches may be repairable under the guidance of your supplier or by an acrylic repairer.

While the surface is heat resistant do not place hot items directly onto the top (ie hair straighteners etc). Extreme or prolonged heat can cause permanent damage. Also avoid contact with strong chemicals such as acetone, paint remover etc.

CAESARSTONE®

See Caesarstone® Fact Sheet or refer to website www.caesarstone.com.au

MIRRORS & SHAVERS

Care should always be taken to avoid getting mirror edges wet with any liquid or substance. This can result in damage to the edges commonly called 'black edge'. Should your mirror become wet it should be dried off immediately.

The following are recommendations from manufacturers of quality mirrors:

- The very best and safest cleaner for a mirror is clean, warm water used with a soft lint-free cloth. Wring all water from the cloth before wiping the mirror. Dry the mirror immediately with a dry lint-free cloth.
- Don't use acid or alkali cleaners for mirror clean up after installation as either substance can attack the front surface and edges as well as the backing of the mirror. No abrasive cleaners should ever be used on any mirror surface.
- Don't spray cleaners directly onto the mirror. Always apply cleaner directly to a soft lint-free cloth and then wipe the mirror. This will help prevent the cleaner from contacting the edges of the mirror to reduce damage potential.
- Don't use commercial mirror cleaners that contain ammonia or vinegar