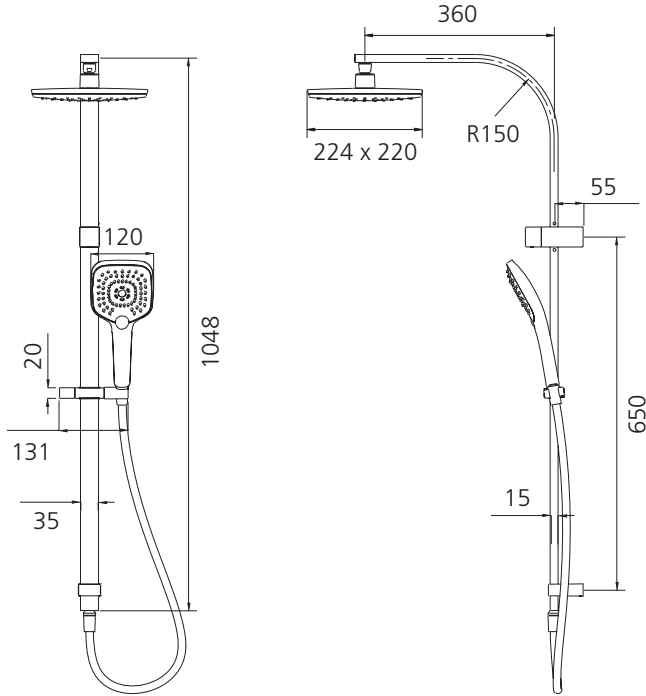


# Monaco

**MO36342BN**

Brushed Nickel Dual Shower Set

All dimensions in mm



## Specifications /

<b>WELs rating</b>	3 Stars, 9L per minute
<b>Temperature rating (min / max)</b>	1°C - 65°C
<b>Pressure rating (min / max)</b>	150 kPa - 500 kPa
<b>Finish</b>	Brushed nickel (PVD)
<b>Shower head functions</b>	Three spray functions (hand shower)
<b>Materials</b>	Brass/ABS Plastic
<b>Water supply</b>	Mains
<b>Connections</b>	G 1/2 BSP
<b>Mounting methods</b>	Wall mounted
<b>Product weight</b>	3.45kg
<b>Parts List</b>	Hand shower x 1, shower rose x 1, hose x 1, slider rail x 1
<b>Warranty</b>	3 years main body; 2 years shower head, shower arm, plastic hand piece, hose, seals, o'rings; 1 year finish and labour (refer to <a href="http://oliveri.com.au">oliveri.com.au</a> )
<b>Maintenance and care instructions</b>	All surfaces should be cleaned with mild liquid detergent or soap and water. Do not use cream cleaners or citrus based cleaning products, as they are abrasive. Use of unsuitable cleaning agents may damage the surface. Any damage caused in this way will not be covered by warranty.

