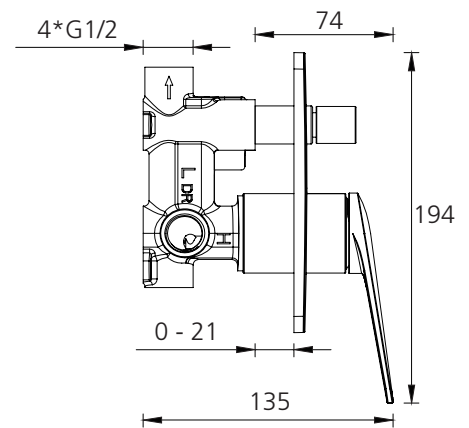
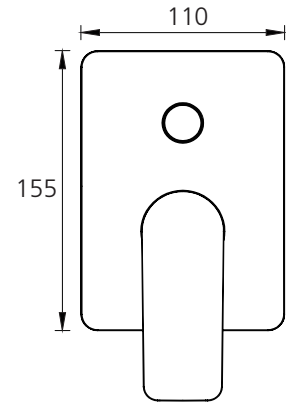


# Paris

PA101500BN

Brushed Nickel Wall Mixer With Diverter



All dimensions in mm

## Specifications /

<b>WELs rating</b>	NA
<b>Temperature rating (min / max)</b>	1°C - 65°C
<b>Pressure rating (min / max)</b>	150 kPa - 500 kPa
<b>Finish</b>	Brushed nickel (PVD)
<b>Materials</b>	Brass body and zinc handle
<b>Cartridge size</b>	35mm
<b>Cartridge type</b>	Ceramic disc cartridge
<b>Product weight</b>	1.96kg
<b>Water supply</b>	Mains
<b>Warranty</b>	15 years cartridge; 10 years body; 5 years seals, tails, fittings, 1 year finish and labour (refer to <a href="http://oliveri.com.au">oliveri.com.au</a> )
<b>Maintenance and care instructions</b>	All surfaces should be cleaned with mild liquid detergent or soap and water. Do not use cream cleaners or citrus based cleaning products, as they are abrasive. Use of unsuitable cleaning agents may damage the surface. Any damage caused in this way will not be covered by warranty.

