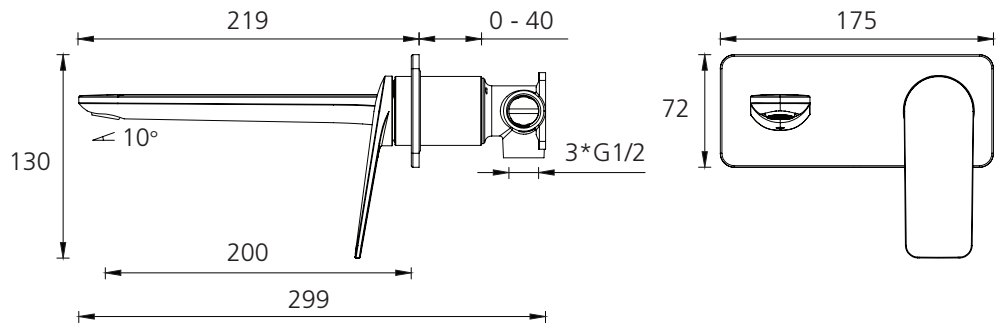


Paris

PA102500BN

Brushed Nickel Wall Mixer Set



All dimensions in mm

Specifications /

WELs rating	5 Stars, 6L per minute
Temperature rating (min / max)	1°C - 65°C
Pressure rating (min / max)	150 kPa - 500 kPa
Finish	Brushed nickel (PVD)
Materials	Brass body and zinc handle
Cartridge size	35mm
Cartridge type	Ceramic disc cartridge
Product weight	1.55kg
Water supply	Mains
Warranty	15 years cartridge; 10 years body; 5 years seals, tails, fittings, 1 year finish and labour (refer to oliveri.com.au)
Maintenance and care instructions	All surfaces should be cleaned with mild liquid detergent or soap and water. Do not use cream cleaners or citrus based cleaning products, as they are abrasive. Use of unsuitable cleaning agents may damage the surface. Any damage caused in this way will not be covered by warranty.

