

Oliveri®

THIS BASIN/BATH SPOUT MUST BE INSTALLED BY A LICENSED PLUMBER IN ACCORDANCE WITH LOCAL REGULATIONS

This Oliveri tap is manufactured to standard AS/NZS 3718.

MAX OPERATING PRESSURE:.....5 bar (500kPa)
 RECOMMENDED OPERATION PRESSURE:.....1.5-5 bar (150-500kPa)
 MAX HOT WATER TEMPERATURE:.....65°C
 RECOMMENDED HOT WATER TEMPERATURE:.....50°C

Where water pressure exceeds 500kPa, a pressure reducing device is required to be installed. Note that water pressure overnight can reach 150% of the daytime pressure.

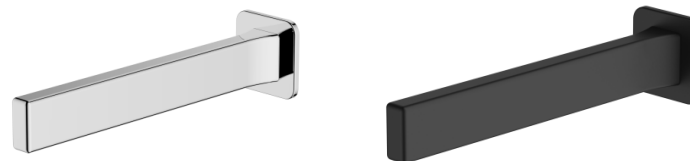
Note: Warranty claims will not be honoured where the spout has malfunctioned due to the presence in the water supply of ;

- Note: - Copper tube pieces, sand, dirt or stones
 - Thread tape
 - Other objects not normally present in potable water supplies.

Before attempting any work involving mains water supply lines, ensure the water supply is shut off.
 This Wall Basin / Bath spout must be installed in accordance with these instructions.

Oliveri®

ST095200CR/ST095206MB



Stockholm Wall Spout

CARE & MAINTENANCE

Clean with a soft cloth and warm soapy water as necessary - rinse and dry after cleaning. Under No Circumstances should abrasive or acid based cleaning products be used.

WARRANTY

This basin/bath spout is warranted to be free from manufacturing defects for a period of 10 Years: 10 years for body, 5 years for seals, fittings and aerators, 1 year for finish and labour, when used in a domestic situation.

This warranty does not cover against normal wear and will be voided if the product is misused or not installed in accordance with these instructions. Note: Fitting spout-attached devices, including water filters, to this spout will void warranty.

In the event this product is rendered obsolete and a replacement product is required, Oliveri Solutions Pty Ltd reserves the right to supply a product of equal substitution at their discretion.

Our goods come with guarantees that cannot be excluded under the Australian Consumer Law. You are entitled to a replacement or refund for a major failure and for compensation for any other reasonably foreseeable loss or damage. You are also entitled to have the goods repaired or replaced if the goods fail to be of acceptable quality and the failure does not amount to a major failure.

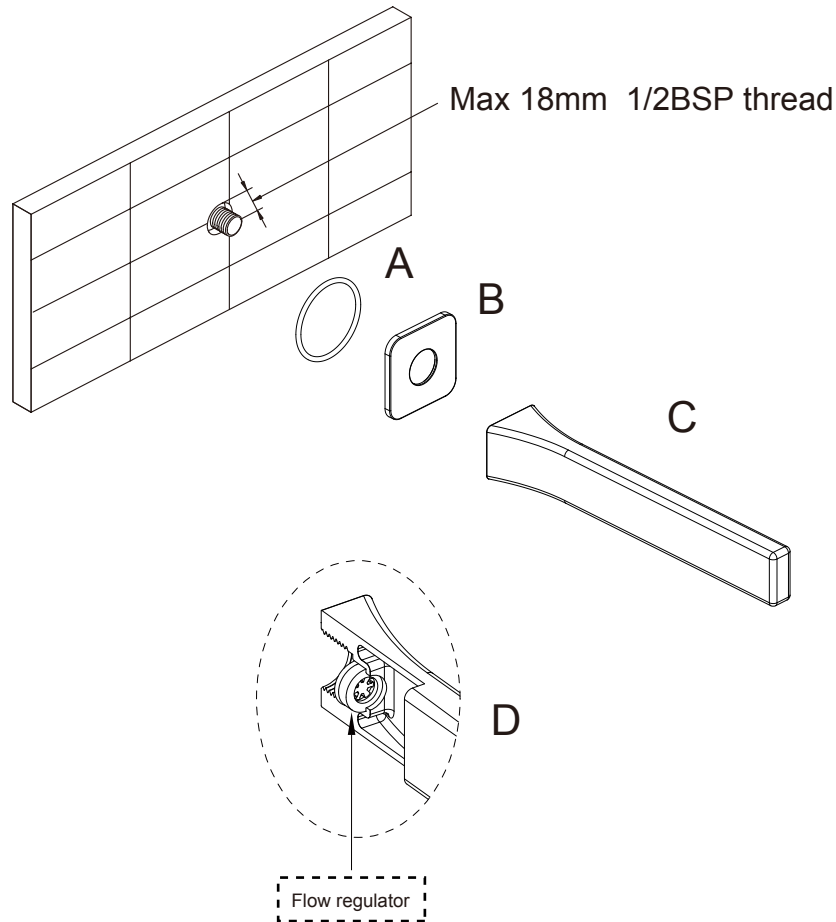
SERVICE

If the problem represents a danger, or damage to property may occur, immediately shut off the water supply.

If the product requires servicing, please contact your plumber / Installer (preferably the one who installed it).

If the Plumber / Installer is satisfied that the problem is not due to poor installation, contact T2 Services Pty Ltd for assistance on:
 Ph: (07) 55960738
 Fax: (07) 55273353
 Email: oliveri@t2services.com.au
<https://oliveri.com.au/service-and-warranty>

If a warranty service agent finds that the mixer tap is not at fault, T2 Services Pty Ltd reserves the right to pass on any callout fee to the householder.



Oliveri®

Installation Instructions

General Note: This product is to be installed by a licensed plumber, installation must comply with AS/NZS 3500 and local plumbing codes.

Pressures & Temperatures

Maximum Hydrostatic Pressure – 500 kpa. (As per AS/NZS3500)

Note: AS/NZS 3500.1-2003 (Clause 3.3.4) states that “Provision shall be made to ensure that the maximum static pressure at any outlet, other than a fire service outlet, within a building does not exceed 500 kPa.

Note: Pressures above 500kPa can cause damage from water hammer, reduced life of appliances, taps and fittings, and cause excessive noise in the system.

Minimum Hydrostatic Pressure – 100 kpa

The Maximum operating temperature for the Mixer Tap is 65 °C.

Please ensure that the lines are flushed prior to installation as contaminates in the water can damage the Aerator and also affect the performance of the product.

1. Remove product from packaging and check for damages, if the product is damaged do not install and return to store of purchase.
2. Ensure Product is complete as per exploded drawing.
3. Apply sufficient thread seal tape to the 1/2"bsp thread. (do not overload thread with thread seal tape as this will put undue pressure on bath spout (C).
4. Slide wall plate (B) onto 1/2" BSP thread ensuring sealing rubber (A) is in place on the back of the wall plate (B).
5. Screw Wall Basin/Bath Spout (C) onto 1/2"bsp thread.

N.B The Wall Basin/Bath spout is pre-fitted with a flow regulator for over basin installation (D), if the spout is being used over a bath the flow regulator is to be removed.

To the consumer

1. The bath spout is to only be cleaned with warm soapy water.
2. **Under No Circumstances** should any abrasive, cream or acid based cleaning agents be used as these types of cleaners will damage the finish, seals and aerators.