



PHOENIX

SPECIFICATIONS

VIVID SLIMLINE

PULL OUT SINK MIXER

PRODUCT CODE: VS7105-00
 FINISH: CHROME
 WELS: 5 STAR - 5.0 LT/MIN

INFORMATION:

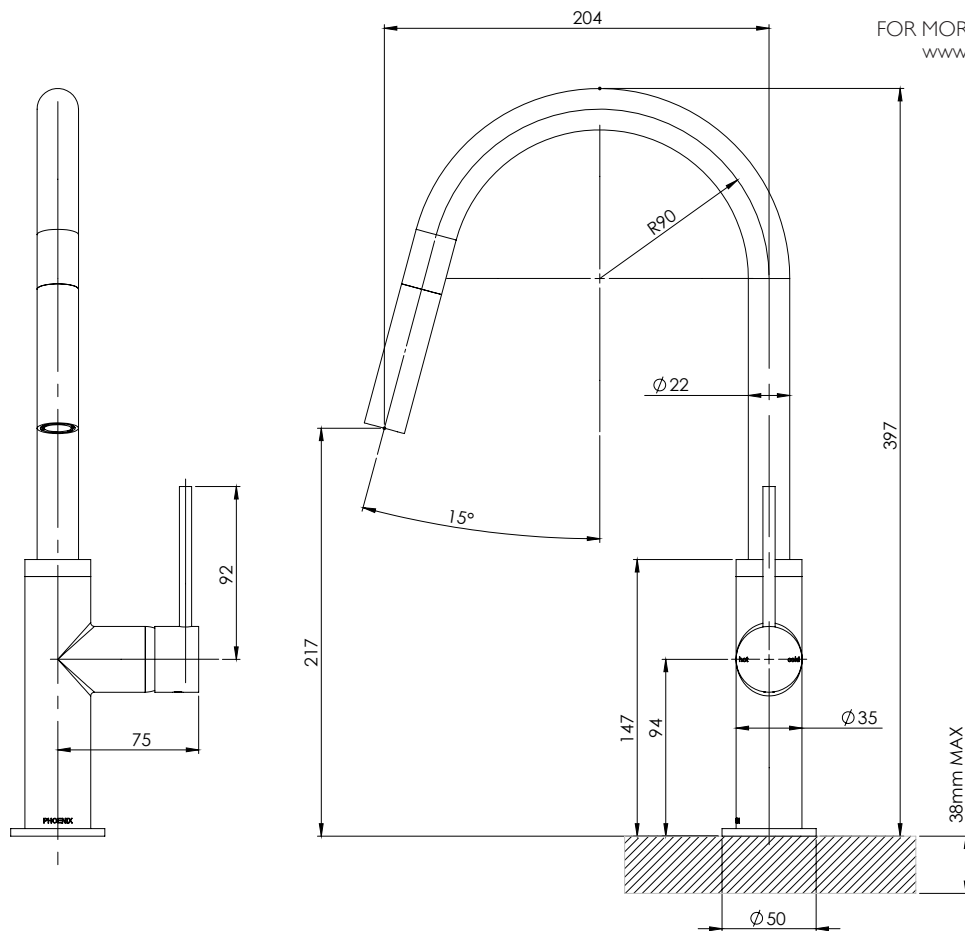
TEMPERATURE RATING: MIN 1° - MAX 75°
 PRESSURE RATING: MIN 150 kPa - MAX 500 kPa



AVAILABLE IN:



FOR MORE INFORMATION VISIT www.phoenixtapware.com.au



PLEASE [CLICK HERE TO VIEW FULL WARRANTY](#)

While we aim to ensure the specifications shown are correct at time of printing, Phoenix Tapware reserves the right to make modifications without prior notice. Always use the physical product measurements for mark-ups and roughing-in as the line drawing shown may differ from the actual product over time. All measurements are shown in millimetres.

www.phoenixtapware.com.au
03 9780 4200



PHOENIX

SPECIFICATIONS

VIVID SLIMLINE

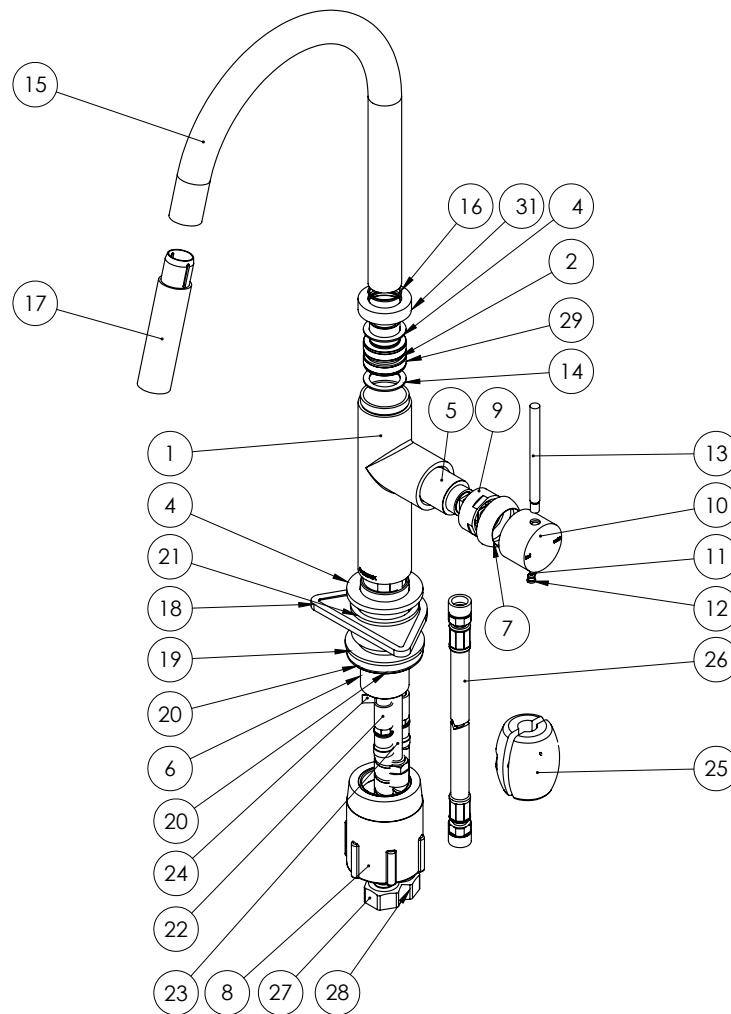
PULL OUT SINK MIXER

PRODUCT CODE: VS7105-00
 FINISH: CHROME
 WELS: 5 STAR - 5.0 LT/MIN



PARTS LIST

1. MIXER BODY
2. SPOUT BOSS
3. BODY COVER
4. DRESS PLATE
5. 25MM CARTRIDGE
6. MIXER TAIL
7. MIXER DOME
8. LOCKNUT PLASTIC
9. 25MM LOCKNUT
10. HANDLE
11. GRUB SCREW M4X5
12. RUBBER SCREW CAP
13. LEVER PIN
14. SPOUT BEARING
15. SPOUT BEND
16. TOP BEARING
17. HAND PIECE
18. SWIVEL SPACER
19. LOCKNUT GASKET
20. LOCKNUT SPACER
21. RUBBER WASHER
22. COPPER HOSE EXTENSION
23. M15 COPPER HOSE EXTENSION
24. RED INDICATOR TAPE
25. COUNTER WEIGHT
26. 2M DOUBLE ENDED HOSE M15
27. FLEXIBLE HOSE 450MM HOT
28. FLEXIBLE HOSE 450MM COLD
29. C BEARING



MAINTENANCE AND CARE:

- All surfaces should be cleaned with mild liquid detergent or soap and water.
- Do not use cream cleaners or citrus based cleaning products, as they are abrasive.
- Use of unsuitable cleaning agents may damage the surface. Any damage caused in this way will not be covered by warranty.

PACKAGING INCLUDES

- 1 x Pull out sink mixer
- 1 x 450mm braided flexible cold hose
- 1 x 450mm braided flexible hot hose
- 1 x Dress plate
- 1 x Installation kit
- 1 x Installation instructions
- 1 x Warranty card

PLEASE [CLICK HERE](#) TO VIEW FULL WARRANTY

While we aim to ensure the specifications shown are correct at time of printing, Phoenix Tapware reserves the right to make modifications without prior notice. Always use the physical product measurements for mark-ups and roughing-in as the line drawing shown may differ from the actual product over time. All measurements are shown in millimetres.

www.phoenixtapware.com.au
 03 9780 4200