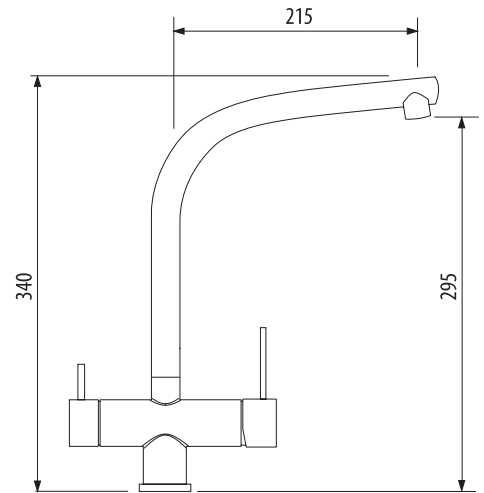


# Essentials

## FT3ESQ

Square Goose Neck 3 Way Filter Tap

All dimensions in mm



### Specifications /

<b>WELs rating</b>	4 Stars, 7.5L per minute
<b>Temperature rating (min / max)</b>	1°C - 80°C
<b>Pressure rating (min / max)</b>	150 kPa - 600 kPa
<b>Finish</b>	Polished chrome
<b>Other available finishes</b>	Not available
<b>Materials</b>	Brass body (DR)
<b>Cartridge type</b>	Ceramic disc cartridge
<b>Carton size</b>	555 x 270 x 65 mm
<b>Product weight</b>	2.5 kg
<b>Mixer height</b>	340 mm
<b>Water supply</b>	Mains
<b>Warranty</b>	10 year warranty* (refer to <a href="http://oliveri.com.au">oliveri.com.au</a> for details)
<b>Maintenance and care instructions</b>	All surfaces should be cleaned with mild liquid detergent or soap and water. Do not use cream cleaners or citrus based cleaning products, as they are abrasive. Use of unsuitable cleaning agents may damage the surface. Any damage caused in this way will not be covered by warranty.

### Matching accessories /



**FS7005**  
Satellite or 3 way  
filtration system



**FR7905**  
Replacement  
Cartridge for  
FS7005