



PHOENIX

SPECIFICATIONS

MEKKO

SHOWER / BATH DIVERTER MIXER

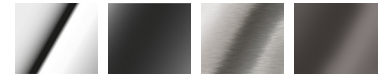
PRODUCT CODE: 115-7910-40
 FINISH: BRUSHED NICKEL
 WELS: N/A

INFORMATION:

TEMPERATURE RATING: MIN 1° - MAX 75°
 PRESSURE RATING: MIN 150 kPa - MAX 500 kPa

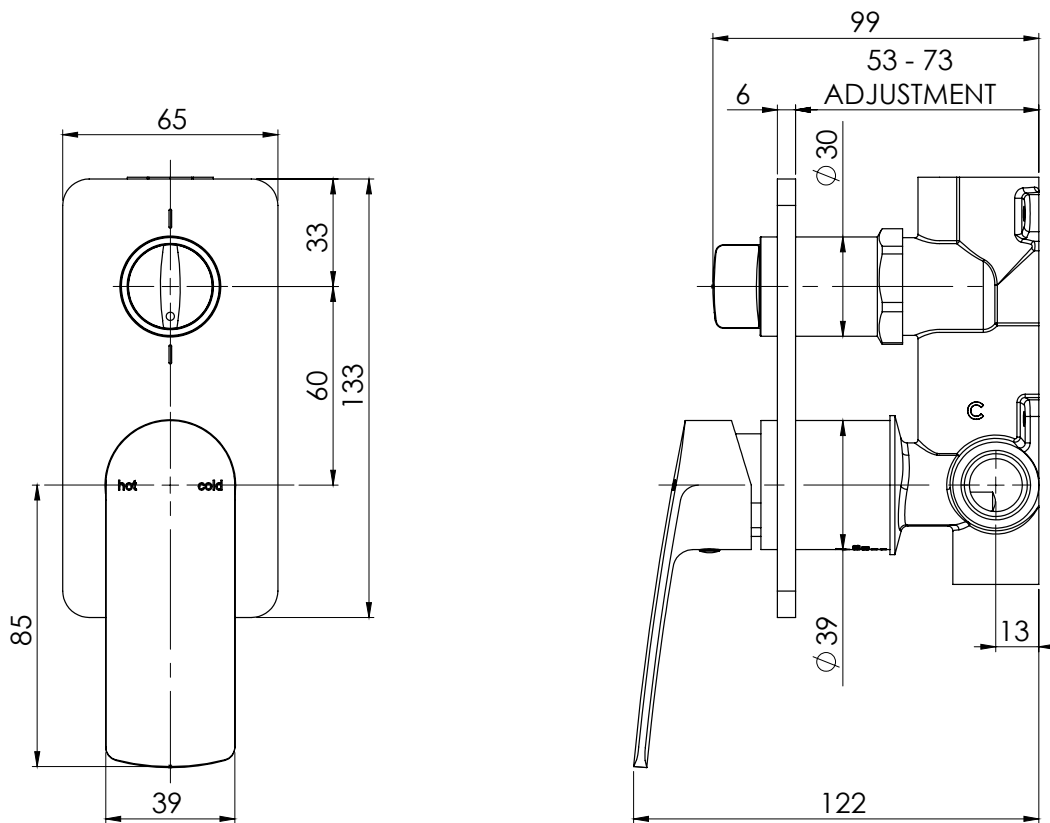


AVAILABLE IN:



CHROME MATTE BLACK BRUSHED NICKEL GUN METAL

FOR MORE INFORMATION VISIT
www.phoenixtapware.com.au



PLEASE [CLICK HERE TO VIEW FULL WARRANTY](#)

While we aim to ensure the specifications shown are correct at time of printing, Phoenix Tapware reserves the right to make modifications without prior notice. Always use the physical product measurements for mark-ups and roughing-in as the line drawing shown may differ from the actual product over time. All measurements are shown in millimetres.

Designed and Registered in Australia by Phoenix Industries Pty. Ltd
 V260618

www.phoenixtapware.com.au
 03 9780 4200



PHOENIX

SPECIFICATIONS

MEKKO

SHOWER / BATH DIVERTER MIXER

PRODUCT CODE:

115-7910-40

FINISH:

BRUSHED NICKEL

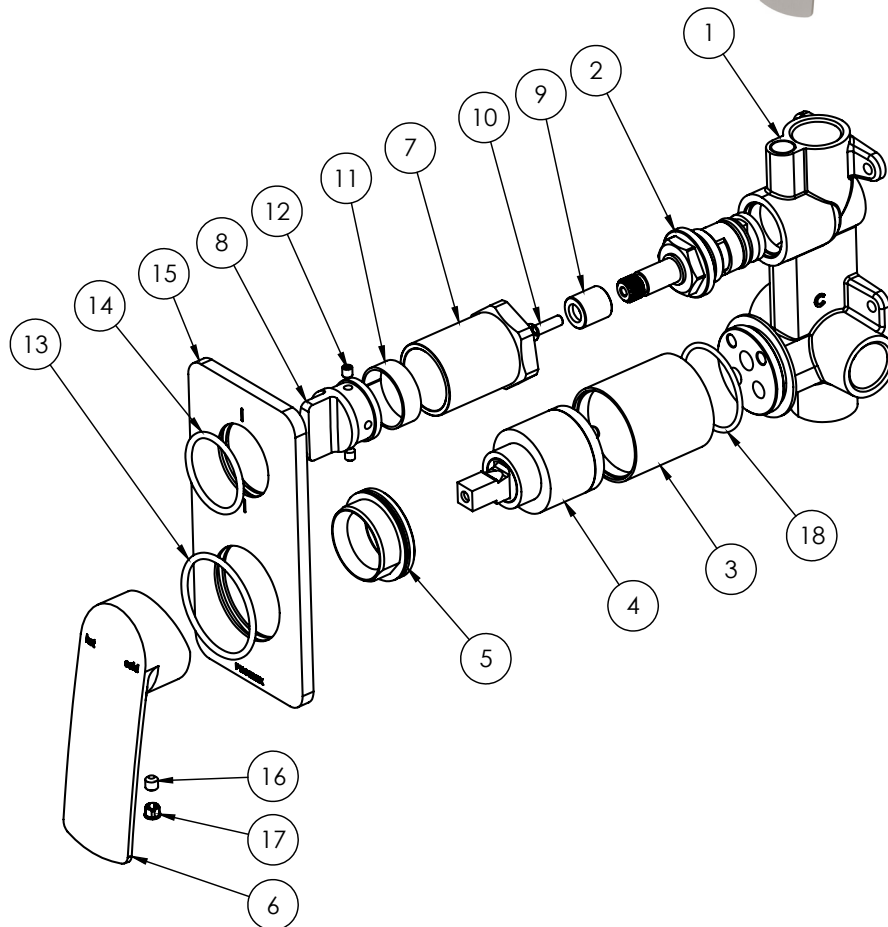
WELS:

N/A



PARTS LIST

1. MIXER BODY
2. DIVERTER
3. SLEEVE
4. 35MM CARTRIDGE
5. DOME
6. HANDLE
7. DIVERTER SLEEVE
8. DIVERTER BUTTON
9. SPINDLE ADAPTOR
10. SCREW
11. NYLON BEARING
12. GRUB SCREW M4X5
13. O-RING 39X2.5
14. O-RING 29X2.5
15. DRESS PLATE
16. GRUB SCREW M5X5
17. SCREW CAP
18. O-RING 33X2.0



MAINTENANCE AND CARE:

- All surfaces should be cleaned with mild liquid detergent or soap and water.
- Do not use cream cleaners or citrus based cleaning products, as they are abrasive.
- Use of unsuitable cleaning agents may damage the surface. Any damage caused in this way will not be covered by warranty.

PACKAGING INCLUDES

- 1 x Mixer body
- 1 x Handle
- 1 x Dress plate
- 1 x Installation kit
- 1 x Installation instructions
- 1 x Warranty card

PLEASE [CLICK HERE](#) TO VIEW FULL WARRANTY

While we aim to ensure the specifications shown are correct at time of printing, Phoenix Tapware reserves the right to make modifications without prior notice. Always use the physical product measurements for mark-ups and roughing-in as the line drawing shown may differ from the actual product over time. All measurements are shown in millimetres.

Designed and Registered in Australia by Phoenix Industries Pty. Ltd

V260618

www.phoenixtapware.com.au
03 9780 4200