



PHOENIX

SPECIFICATIONS

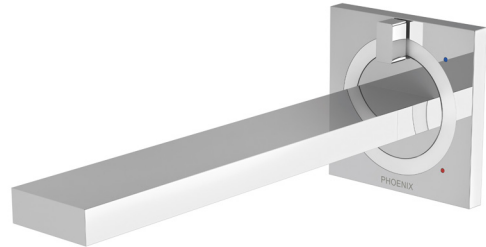
ORTHO

WALL BASIN / BATH MIXER SET 200MM

PRODUCT CODE: 100-7810-00
 FINISH: CHROME
 WELS: 5 STAR - 6.0 LT/MIN

INFORMATION:

TEMPERATURE RATING: MIN 1° - MAX 75°
 PRESSURE RATING: MIN 150 kPa - MAX 500 kPa

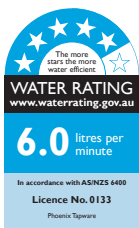
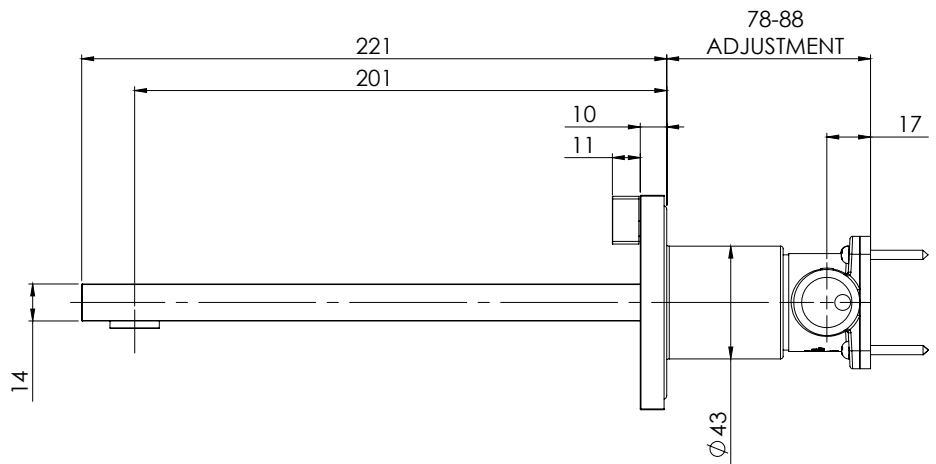
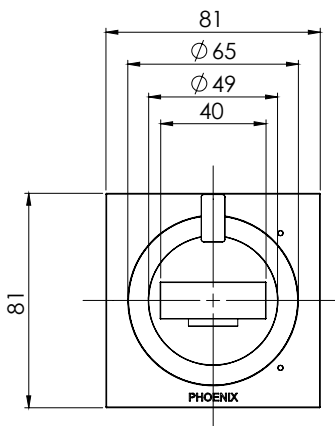


AVAILABLE IN:



CHROME MATTE BRUSHED NICKEL

FOR MORE INFORMATION VISIT www.phoenixtapware.com.au



PLEASE [CLICK HERE TO VIEW FULL WARRANTY](#)

While we aim to ensure the specifications shown are correct at time of printing, Phoenix Tapware reserves the right to make modifications without prior notice. Always use the physical product measurements for mark-ups and roughing-in as the line drawing shown may differ from the actual product over time. All measurements are shown in millimetres.

A Registered Design and Trademark of Phoenix Industries Pty. Ltd
V260618

www.phoenixtapware.com.au
03 9780 4200



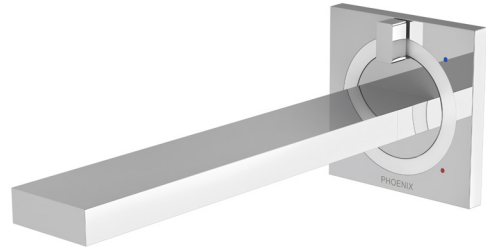
PHOENIX

SPECIFICATIONS

ORTHO

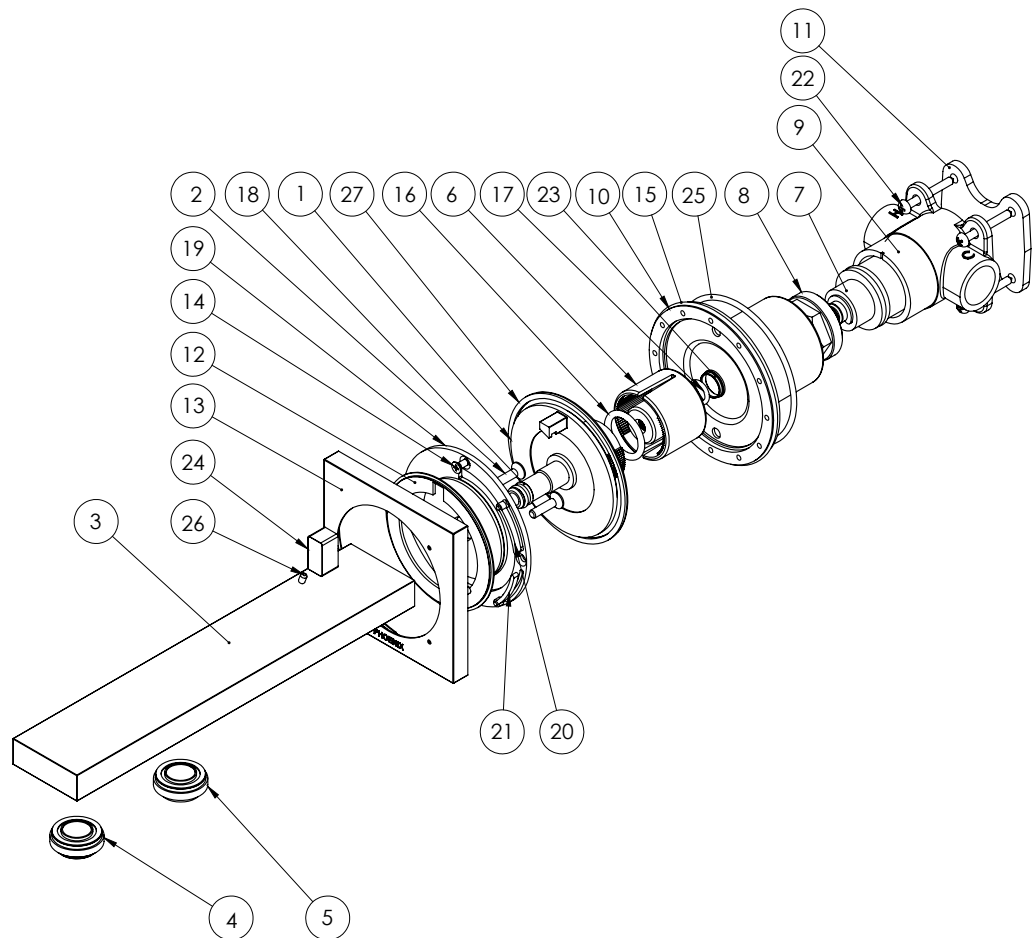
WALL BASIN / BATH MIXER SET 200MM

PRODUCT CODE: 100-7810-00
 FINISH: CHROME
 WELS: 5 STAR - 6.0 LT/MIN



PARTS LIST

1. INNER RING
2. SCREW M4X16
3. SPOUT
4. AERATOR 7LT/MIN
5. MAX FLOW AERATOR
6. CARTRIDGE CAP
7. 29MM PROGRESSIVE CARTRIDGE
8. OUTER BREACH LOCKNUT
9. BREACH
10. ADJUSTMEN FLANGE
11. RUBER ADJUSTMENT PAD
12. OUTER RING
13. DRESS PLATE
14. SCREW M3X6
15. O-RING 75X2.0
16. O-RING 18X3.0
17. O-RING 8X2.0
18. O-RING 8X1.5
19. MOUNTING DISC
20. COLOUR INDICATOR BLUE
21. COLOUR INDICATOR RED
22. SCREW M3.5X30
23. RETAINING RING
24. LEVER HANDLE
25. O-RING 68X2.5
26. GRUB SCREW M3X5
27. GASKET



MAINTENANCE AND CARE:

- All surfaces should be cleaned with mild liquid detergent or soap and water.
- Do not use cream cleaners or citrus based cleaning products, as they are abrasive.
- Use of unsuitable cleaning agents may damage the surface. Any damage caused in this way will not be covered by warranty.

PACKAGING INCLUDES

- 1 x Wall basin / bath set
- 1 x Dress plate
- 1 x Breach assy
- 1 x Free flow aerator to convert to bath set
- 1 x Extra colour ring
- 1 x Installation kit
- 1 x Installation instructions
- 1 x Warranty card

PLEASE [CLICK HERE](#) TO VIEW FULL WARRANTY

While we aim to ensure the specifications shown are correct at time of printing, Phoenix Tapware reserves the right to make modifications without prior notice. Always use the physical product measurements for mark-ups and roughing-in as the line drawing shown may differ from the actual product over time. All measurements are shown in millimetres.

A Registered Design and Trademark of Phoenix Industries Pty. Ltd
V260618

www.phoenixtapware.com.au
03 9780 4200