



COOLIBAH CLASSIC CROSS - WALL TOP ASSEMBLIES⁺

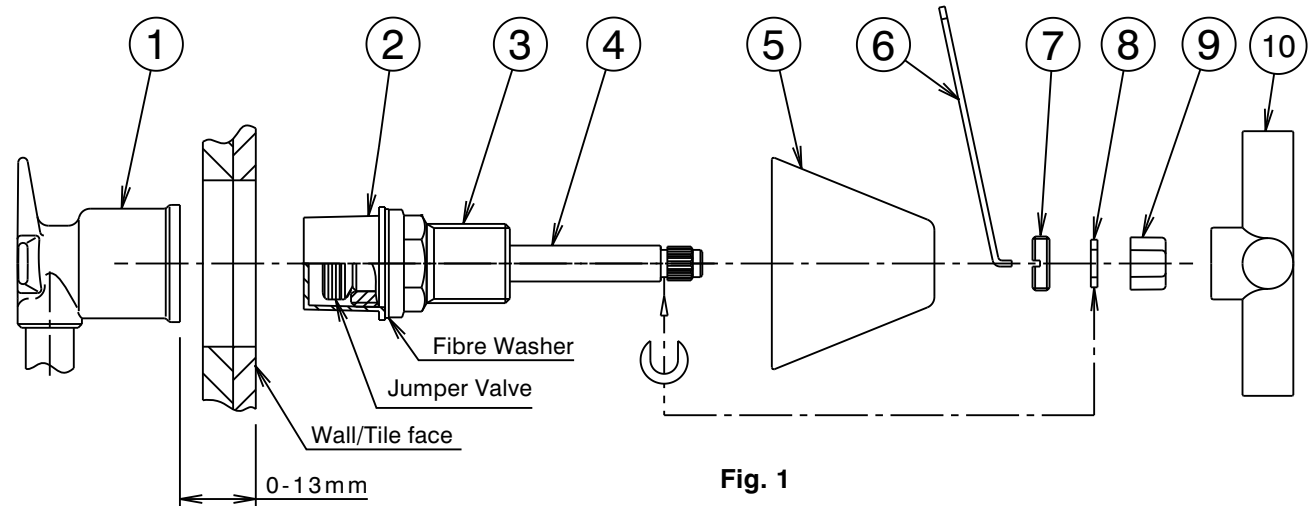
CAROMA

PLUMBERS INSTALLATION INSTRUCTIONS

Installation

- 1) Check that the face of the recess tap body (1) is 0-13mm from the wall/tile face, as shown in Fig.1.
- 2) Check seats in recess tap bodies (1) are in good condition and free of foreign materials. Reseat if required.
Important : All pipework must be thoroughly flushed prior to installation, to remove all foreign matter.
- 3) Remove cap (2) from tap head assembly (3). Fully open tap spindle (4) in tap head assembly (3). Ensure fibre washer and jumper valve are in position as shown.
- 4) Screw tap head assembly (3) into recess tap body (1) by hand and tighten using a suitable tube spanner.
- 5) Screw wall flange (5) over each installed tap head assembly (3), and tighten fully by hand against wall/tile face, taking care not to damage the decorative finish.
- 6) Fit handle assembly as follows:-
 - i) Turn both spindles (4) to the fully closed position.
 - ii) Place retaining nut (7) over spindle (4), with slot facing flange (5).
 - iii) Place retaining clip (8) into groove at bottom of spline in spindle (4).
 - iv) Ensure handle insert (9) is in position in handle (10). Fit handle (10) to spline of spindle, position to suit then push firmly onto spindle until it bottoms internally. Screw retaining nut (7) into handle and tighten with spanner (6) provided.

IMPORTANT
<u>Pressure & Temperature Requirements.</u>
<ul style="list-style-type: none"> • Hot and cold water inlet pressures should be equal. • Static Inlet pressure range : 150 -1000 kPa New Regulation : 500 kPa maximum static pressure at any outlet within a building. (Ref. AS/NZS 3500.1) • Maximum hot water temperature : 80°C.





CAROMA

COOLIBAH - ADJUSTABLE SHOWER

WATER EFFICIENT TAPWARE

+

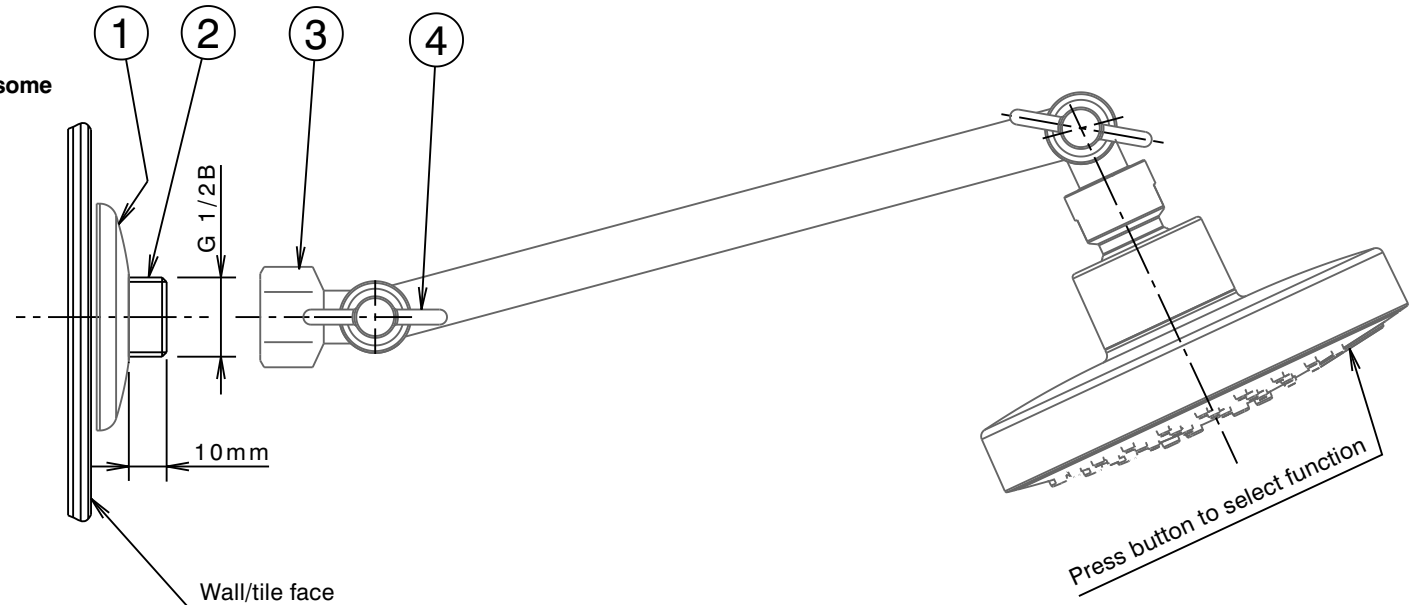
PLUMBERS INSTALLATION INSTRUCTIONS

Important Information

- * The shower head is fitted with a flow regulator.
- * Not suitable for gravity feed systems.
- * The flow of water to the shower is regulated. This lower flow rate may not be suitable for connection to some gravity fed Water Heaters, low pressure supply networks, Instantaneous Water Heaters, Tempering Valves, Solar Water Heaters & Thermostatic Mixing Valves. Check with the manufacturers of these products.
- * All pipework must be thoroughly flushed prior to installation, as foreign materials may block the flow regulating device and reduce the flow of water.
- * Turn off hot and cold water supplies before installation.

Installation

- 1) Check that threaded nipple (2) is the correct length, as shown. Cut to length if required ensuring end face is square. Apply thread tape to the thread.
Important : Care must be taken that thread tape cannot become dislodged and block the flow regulating device, causing a reduction in water flow.
- 2) Place the cover plate (1) over the threaded nipple (2) and position with the **C** marking at the bottom. Screw the inlet socket (3) onto the threaded nipple (2) and position shower as required. **DO NOT OVERTIGHTEN.**
Note- When adjusting inclination of the shower it is recommended that the hot and cold taps are turned off. Unscrew wing nut (4) one half turn, position shower as required then tighten wing nut (4) by hand.



SHOWER HEAD - THREE FUNCTIONS

- NORMAL SPRAY. (Outer)
- COMBINATION SPRAY. (Outer + Inner)
- MASSAGE SPRAY. (Inner)

IMPORTANT

Pressure & Temperature Requirements.

- Hot and cold water inlet pressures should be equal.
- Static Inlet pressure range : 150 -1000 kPa
New Regulation:- 500 kPa maximum static pressure at any outlet within a building. (Ref. AS/NZS 3500.1)
- Maximum hot water temperature : 80°C.

+

IS1710A(08/17)