

ARLO

SINK MIXER 200MM GOOSENECK

PRODUCT CODE: 151-7310-00
 FINISH: CHROME
 WELS: 4 STAR - 7.0 LT/MIN

INFORMATION:

TEMPERATURE RATING: MIN 1° - MAX 75°
 PRESSURE RATING: MIN 150 kPa - MAX 500 kPa

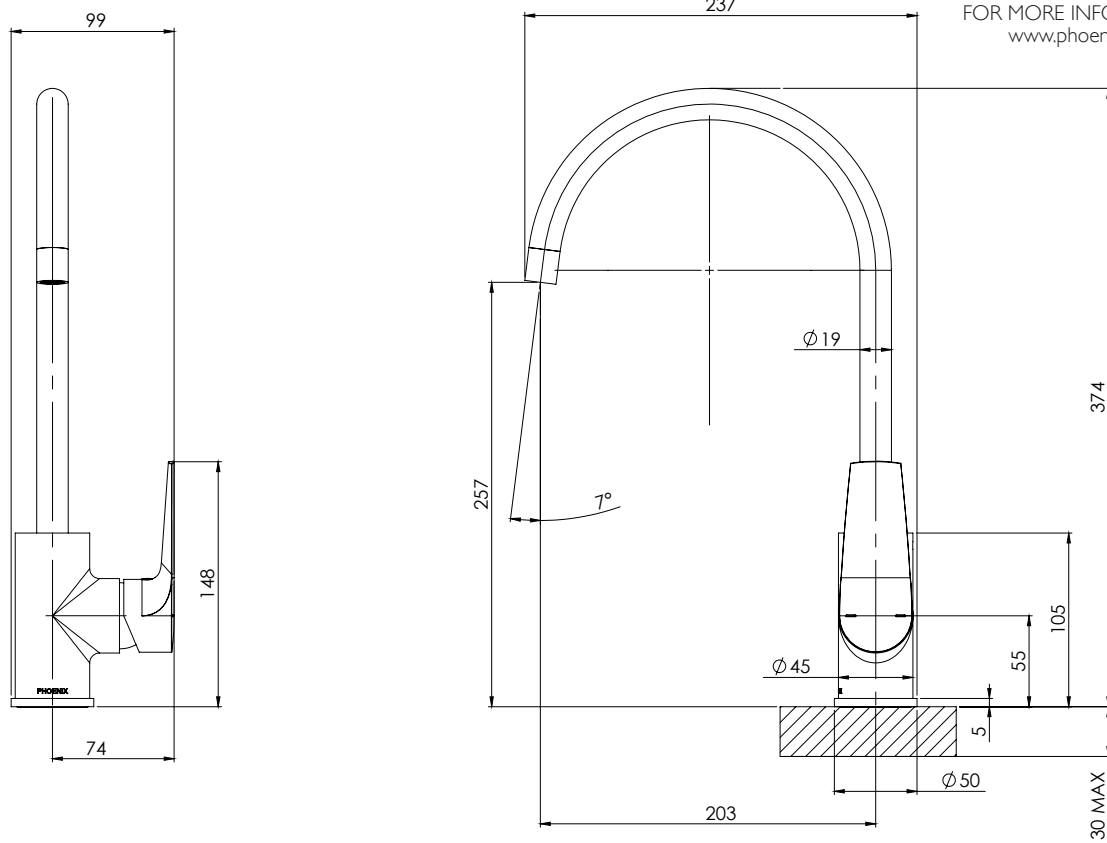


AVAILABLE IN:



CHROME BRUSHED NICKEL MATTE BLACK

* 1 Year Warranty - Phoenix Builders Matte Black Finish
 FOR MORE INFORMATION VISIT
www.phoenixtapware.com.au



PLEASE [CLICK HERE TO VIEW FULL WARRANTY](#)

While we aim to ensure the specifications shown are correct at time of printing, Phoenix Tapware reserves the right to make modifications without prior notice. Always use the physical product measurements for mark-ups and roughing-in as the line drawing shown may differ from the actual product over time. All measurements are shown in millimetres.

Arlo is a Registered Trademark of Phoenix Industries Pty. Ltd.

V1 1022020

www.phoenixtapware.com.au
 03 9780 4200



ARLO

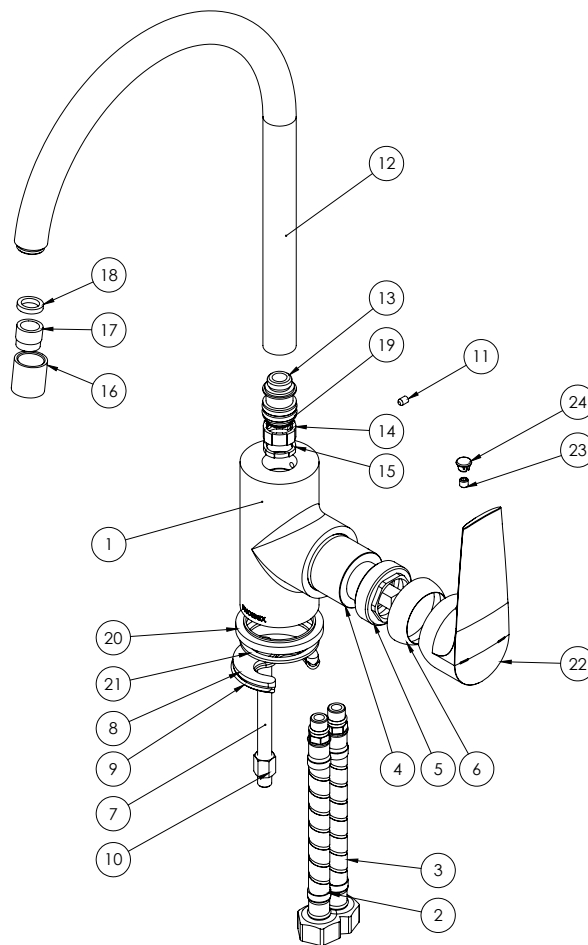
SINK MIXER 200MM GOOSENECK

PRODUCT CODE: 151-7310-00
FINISH: CHROME
WELS: 4 STAR - 7.0 LT/MIN



PARTS LIST

1. MIXER BODY
2. FLEXIBLE HOSE 450MM HOT
3. FLEXIBLE HOSE 450MM COLD
4. 35MM CARTRIDGE
5. CARTRIDGE LOCKNUT
6. MIXER DOME
7. M8 THREADED ROD
8. MOUNTING GASKET
9. MOUNTING PLATE
10. M8 THREADED NUT
11. GRUB SCREW M4X6
12. SPOUT
13. SPOUT TAIL
14. SPOUT BEARING LARGE
15. SPOUT BEARING SMALL
16. AERATOR RETAINER
17. AERATOR
18. AERATOR GASKET
19. O-RING 15X2.5
20. DRESS RING
21. RUBBER WASHER
22. MIXER HANDLE
23. GRUB SCREW M5X5
24. SCREW CAP



MAINTENANCE AND CARE:

- All surfaces should be cleaned with mild liquid detergent or soap and water.
- Do not use cream cleaners or citrus based cleaning products, as they are abrasive.
- Use of unsuitable cleaning agents may damage the surface. Any damage caused in this way will not be covered by warranty.

PACKAGING INCLUDES

- 1 x Mixer
- 1 x Dress plate
- 1 x 450mm braided flexible cold hose
- 1 x 450mm braided flexible hot hose
- 1 x Installation kit
- 1 x Installation instructions
- 1 x Warranty card

PLEASE [CLICK HERE](#) TO VIEW FULL WARRANTY

While we aim to ensure the specifications shown are correct at time of printing, Phoenix Tapware reserves the right to make modifications without prior notice. Always use the physical product measurements for mark-ups and roughing-in as the line drawing shown may differ from the actual product over time. All measurements are shown in millimetres.

Arlo is a Registered Trademark of Phoenix Industries Pty. Ltd.

V11022020

www.phoenixtapware.com.au
03 9780 4200