

EVERHARD SPEC PACK



PRODUCT INFO | IMAGES | DRAWINGS

PRODUCT

Excellence Squareline 42L Utility Sink

EI CODE

73177B

BRAND

Excellence



SPEC PACK LAUNDRY COLLECTION

SPEC SHEET



EXCELLENCE SQUARELINE 42L UTILITY SINK

PRODUCT CODE:

73177B

FEATURES:

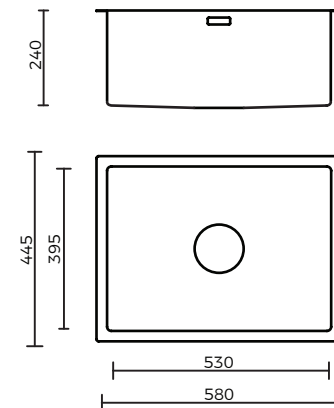
- / 42L capacity
- / 304 stainless steel bowl with brushed finish
- / 90mm stainless steel basket waste with internal watermarked overflow kit, 12L/min flowrate

OVERALL DIMENSIONS:

580 L x 445 W x 240mm D

WARRANTY:

30 years



Disclaimer: All measurement are in millimetres and are solely for reference purposes. Colours have been reproduced with as much accuracy as possible. Any changes resulting from technical advance of design or colour may be made without prior notice. Tapware, accessories and appliances are for illustration purposes only. Further information on warranties is available at www.everhard.com.au

SPEC PACK LAUNDRY COLLECTION

PRODUCT DRAWING

