

### PLUMBERS INSTALLATION INSTRUCTIONS

#### Important Information

- \* Not suitable for gravity feed systems.
- \* Mixer is fitted with a flow regulated aerator insert. This low flow rate may not be suitable for connection to some Instantaneous Gas Water Heaters, some Tempering Valves, some Solar Water Heaters & some Thermostatic Mixing Valves. Check with the manufacturers of these products.
- \* Isolating stop taps must be fitted to the hot & cold water supply connections. (Part No. 842018C - Mini cistern 1/4T)
- \* All pipework must be thoroughly flushed prior to installation, as foreign materials may block the flow regulating device and reduce the flow of water. Note: Aerator insert must be retightened to prevent removal by hand.

#### Installation

- 1) From fixing pack fit 'O'ring (10) into groove in base ring (9). Slide the base ring over the threaded tube & locate spigot of base ring (9) into base of mixer body (8), as shown.
- 2) *Flexible Tail Mixer Connections:* Apply suitable lubricant to 'O'rings (14). Fit flexible tail (15) (with red indication) into inlet hole marked with a Red Dot in underside of mixer body (8). Hand tighten the tail, ensuring the 'O'ring (14) has fully entered the sealing bore to provide a watertight joint. Fit other flexible tail (with blue indication) into remaining hole in a similar manner.
- 3) Insert the inlet connection end (16) of each flexible tail (15) through the hole in the deck. Place mixer into deck hole, fit washer (11) followed by fixing plate (12) over threaded tube then screw on fixing nut (13). Check that the **Caroma** marking on the base ring (9) is at the front before hand tightening the fixing nut (13).
- 4) *Flexible Tail Inlet Connections:* Connect the flexible tails (15) to the hot and cold isolating stop taps, hand tighten the fixing nut (16) until rubber cone contacts the sealing face of the connection end, then tighten a further one turn to provide a watertight joint. **Important:** Flexible tails must not be kinked, twisted or in tension when installed. (Minimum Bend Radius:- 50mm) Do not install flexible tails where subject to ultra violet light.

<b>IMPORTANT</b>	
<b><u>Pressure &amp; Temperature Requirements.</u></b>	
•	Hot and cold water inlet pressures should be equal.
•	Static inlet pressure range : 150-1000 kPa New Regulation:- 500 kPa maximum static pressure at any outlet within a building. (Ref. AS/NZS 3500.1)
•	Maximum hot water temperature : 70°C.
<b><u>Deck Requirements</u></b>	
•	Deck thickness : 40mm maximum
•	Tap body hole (in deck) : Ø34-36mm

#### Replacing Cartridge

- 1) Turn off hot and cold water supplies at isolating stop taps.
- 2) Remove handle plug (4). Using 2.5mm allen key (3) loosen screw (2) and remove handle (1). Unscrew cap (5) taking care not to damage the decorative finish. Unscrew nut (6) then lift out the old cartridge (7).
- 3) Ensure inside face of mixer body (8) is clean. Fit new cartridge (7) into mixer body, taking care that two lugs on base of cartridge (7) fit into mating holes in mixer body (8).
- 4) Screw on nut (6). **Important:-** Nut (6) should be tightened to a torque of 10 Nm.
- 5) Replace cap (5), tightening by hand. Fit handle (1) taking care that it is pushed fully onto cartridge stem, tighten screw (2) and replace handle plug (4).
- 6) Turn on isolating stop taps and check operation.

#### Replacing Aerator Insert

- 1) Carefully remove aerator housing (19) from mixer body (8), taking care not to damage the decorative finish.
- 2) Remove 'O'Ring (17) & aerator insert (18) from aerator housing. Check that aerator housing is clean. Deposits of lime can be removed by washing in a vinegar solution.
- 3) Fit new aerator insert (18) into aerator housing (19) followed by 'O'Ring (17) then screw assembly into mixer body (8) and tighten securely (to prevent removal by hand).

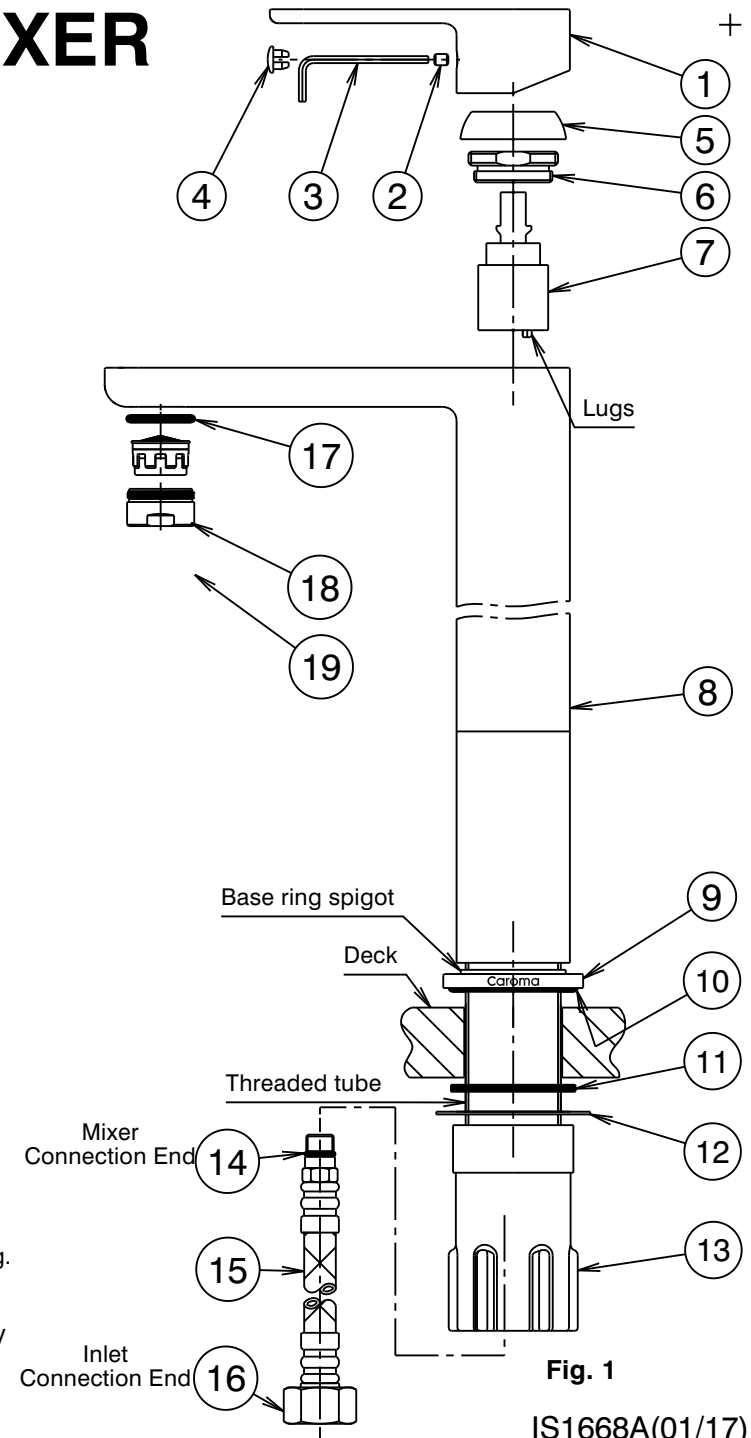


Fig. 1