



EPIC BLOC (PROGRESSIVE) - BASIN MIXER

WATER EFFICIENT TAPWARE

PLUMBERS INSTALLATION INSTRUCTIONS

Important Information

- * Not suitable for gravity feed systems.
- * Mixer is fitted with a flow regulated aerator insert. This low flow rate may not be suitable for connection to some Instantaneous Gas Water Heaters, some Tempering Valves, some Solar Water Heaters & some Thermostatic Mixing Valves. Check with the manufacturers of these products.
- * Isolating stop taps must be fitted to the hot & cold water supply connections. (Part No. 842018C - Mini cistern 1/4T)
- * All pipework must be thoroughly flushed prior to installation, as foreign materials may block the flow regulating device and reduce the flow of water. Note: Aerator insert must be retightened to prevent removal by hand.
- * This mixer is fitted with a 'Progressive' cartridge. To operate the cartridge, the handle is rotated clockwise (Fig.2). The first 90° of handle rotation will only select cold water, avoiding unnecessary use of hot water. Further rotation of the handle will deliver a mixture of hot and cold. When the handle is rotated fully clockwise, only hot water will flow.

Installation (Fig 1)

- 1) From fixing pack fit 'O' ring (10) into groove in base of mixer body (9). Screw studs (11) into underside of mixer body (9). **Optional:** Discard 'O'Ring (10) & fit base ring (12) together with 'O'Ring (13) into groove in base of mixer body (9).
- 2) **Flexible Tail Mixer Connections:** Apply suitable lubricant to 'O'rings (19). Fit flexible tail (18) (with red indication) into hole marked with a Red Dot in underside of mixer body (9). Hand tighten the tail, ensuring the 'O'ring (19) has fully entered the sealing bore to provide a watertight joint. Fit other flexible tail (with blue indication) into remaining hole in a similar manner.
- 3) Insert the inlet connection end (16) of each flexible tail (18) through the hole in the deck. Place mixer over deck hole, fit gasket (14) and fixing plate (15) over studs (11) then screw on fixing nuts (17). Position mixer as required then tighten fixing nuts (17) using spanner (20) provided.
- 4) **Flexible Tail Inlet Connections:** Connect the flexible tails (18) to the hot and cold isolating stop taps, hand tighten the connecting nut (16) until rubber cone contacts the sealing face of the connection end, then tighten a further one turn to provide a watertight joint. **Important:** Flexible tails must not be kinked, twisted or in tension when installed. (Minimum Bend Radius:- 50mm) Do not install flexible tails where subject to ultra violet light.

IMPORTANT	
Pressure & Temperature Requirements.	
• Hot and cold water inlet pressures should be equal.	
• Static inlet pressure range : 150-1000 kPa	
New Regulation: 500 kPa maximum static pressure at any outlet within a building. (Ref. AS/NZS 3500.1)	
• Maximum hot water temperature : 70°C.	
(In accordance with AS 3499)	
Deck Requirements	
• Deck thickness : 40mm maximum	
• Tap body hole (in deck) : Ø34-36mm	

Replacing Cartridge (Fig.1 & 2)

- 1) Turn off hot and cold water supplies.
- 2) Carefully remove plug (4) before using a 2.5mm allen key (3) to loosen grub screw (2) and remove handle (1). Undo screw (6) and remove insert (7) from old cartridge spindle. Unscrew retaining nut (5) then lift out old cartridge (8).
- 3) Ensure inside face of mixer body (9) is clean. Check that seals are in position in base of new cartridge (8), Fit new cartridge (8) into mixer body (9), taking care the lug on base of cartridge (8) fits into mating hole in mixer body (9). Screw on nut (5). **Important:** Nut (5) should be tightened until solid. Rotate the cartridge spindle anticlockwise to the stop position then fit insert (7) with the flat sides of the insert in close alignment with the square shape of the body (9). Retain the insert to the spindle using screw (6).
- 4) Fit handle (1) onto insert (7) with the hot/cold markings as shown (Fig.2) and check alignment of the handle sides with the square shape of the body. Small adjustments can be made to the handle alignment by loosening nut (5) and rotating the cartridge slightly before re tightening the nut.
- 5) Fit handle (1) taking care that it is pushed fully onto insert (7), then tighten grub screw (2). Replace plug (4) taking care not to damage the decorative finish.
- 6) Turn on water supplies and check operation.

Removing Aerator Insert (Fig.1)

- 1) Aerator insert (21) can be removed with spanner (22) provided.
- 2) Deposits of lime can be removed by washing in a vinegar solution.
- 3) When replacing aerator insert (21), be careful that the seal is in place and the thread is engaged correctly before tightening securely (to prevent removal by hand) using spanner (22).

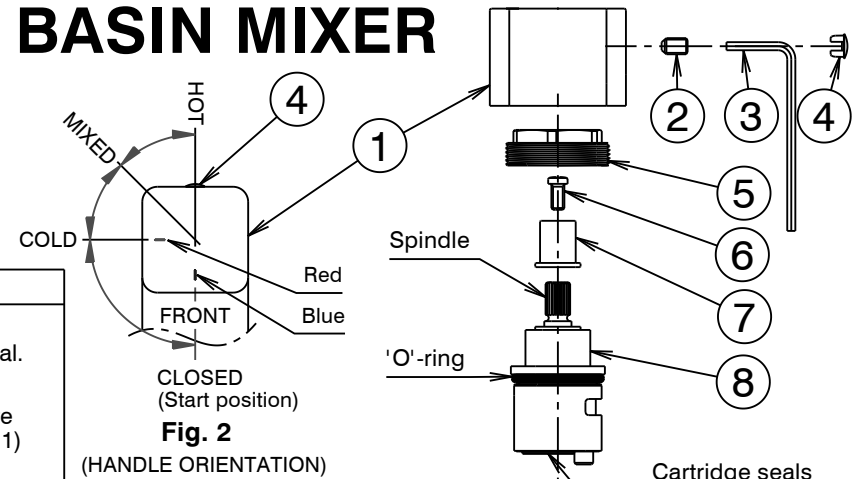


Fig. 2
(HANDLE ORIENTATION)

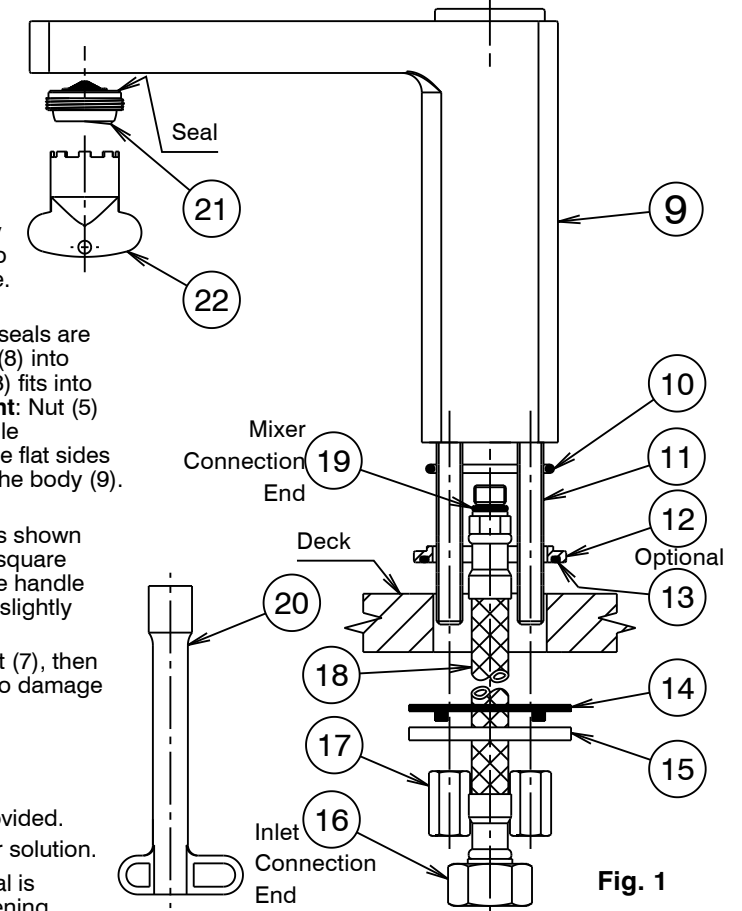


Fig. 1
IS1610A(07/16)