



Sigma Bath/Shower Mixer with Diverter

Product Code:151897

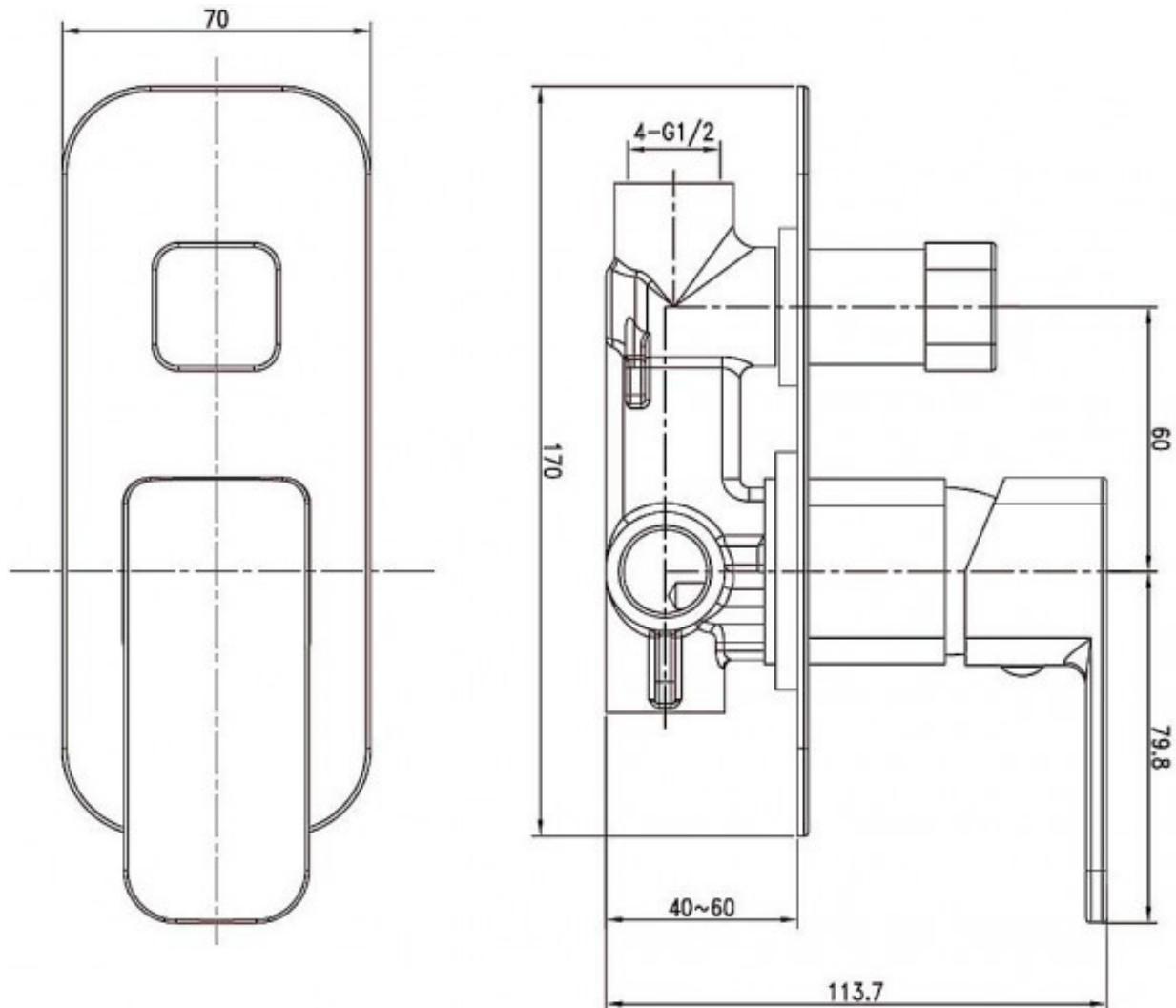
1800 RAYMOR
raymor.com.au

Raymor
more like you

Sigma Bath/Shower Mixer with Diverter

PRODUCT SPECIFICATION

Product Code	151897
Material	Brass 4 port one piece body
Handle	Zinc Die Cast Handle
Finish	Powder Coated Matte Black
Handle Style	Paddle
Hot/Cold Indicator	Laser etched H and C on handle
Warranty	Visit www.raymor.com.au
Wall Plate design/size	170mm x 70mm Rectangular - Radiused corners
Shut Off	35mm Ceramic Disc
Fixing	4 x Lugged Fixing points
Divertor Operation	Ceramic Disc Twist
Installation Depth Adjustment	40mm to 60mm
Wall Fixing Pressure	4 x Lugged Fixing points Hot and cold water inlet pressure should be equal Gravity feed not suitable
Finish Wall Adjustment	40mm to 60mm



Printed:27/09/2020

© Raymor 2017. All rights reserved.

Version 1 1/09/2017

All measurements are in millimetres and are to be used as a guide only. Specifications and materials may change without notice. Whilst all care has been taken to ensure that all details are correct at the time of print we reserve the right to correct any errors, inaccuracies or omissions or to change or update any details or information at any time without notice.

*Subject to terms and conditions available at raymor.com.au

Raymor
more like you